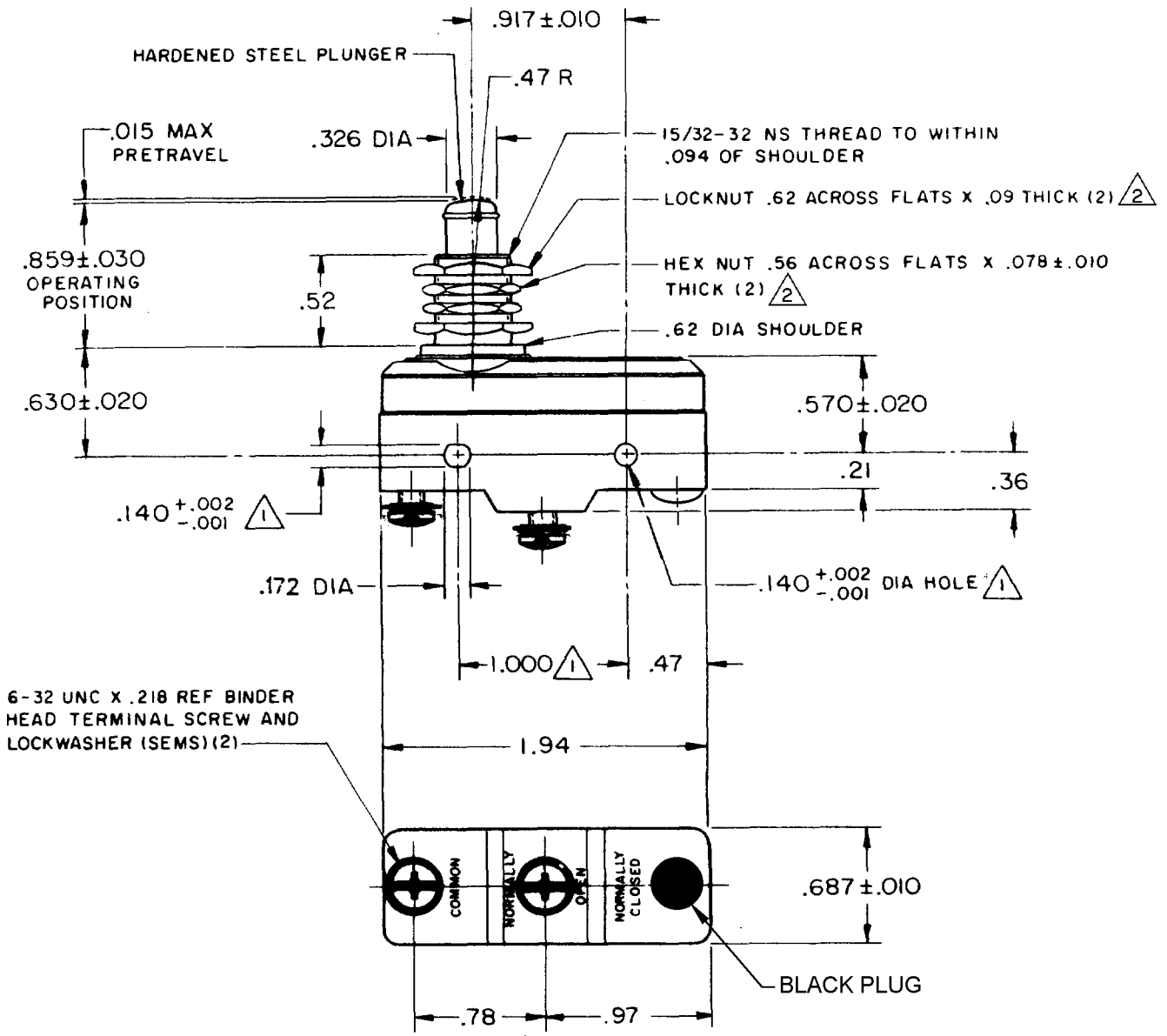


FED. MFG. CODE 91929

MYZ-2RQIT  
 PAGE 1 OF 1  
 DRAWING NUMBER  
 ISSUE 18  
 REVISIONS  
 A CO17410  
 B C H  
 20 MAY 63  
 B CO-  
 69351-D  
 JWB  
 18 JUL 91  
 C CO-  
 77588  
 K D R  
 25 MAR 94  
 D CO-82133  
 CSL  
 31 JUL 96  
 E CO93346  
 DLT  
 22 SEP 98  
 F 0000713  
 JAH  
 30 JUN 03  
 RASTER  
 DRAWN  
 G C H  
 20 MAY 63  
 CHECK  
 L.S.D  
 15 JUN 63  
 CHECK  
 15 JUN 63  
 REPLACES  
 RELEASE NO.



6-32 UNC X .218 REF BINDER HEAD TERMINAL SCREW AND LOCKWASHER (SEMS) (2)

- NOTES  
 ① MOUNTING HOLES WILL ACCEPT PINS OR SCREWS OF .139 MAX DIA ON 1.000±.002 CENTERS  
 ② HARDWARE FURNISHED UNASSEMBLED

THIS DRAWING COVERS A PROPRIETARY ITEM AND IS THE PROPERTY OF MICRO SWITCH, A DIVISION OF MINNEAPOLIS-HONEYWELL REGULATOR CO. THIS DRAWING IS NOT TO BE COPIED OR USED WITHOUT THE APPROVAL OF MICRO SWITCH.

CHARACTERISTICS	ELECTRICAL DATA	SCALE FULL
OPERATING FORCE ----- 9 - 13 OZ	CONTACT ARRANGEMENT S P N O	DO NOT SCALE PRINT
RELEASE FORCE ----- 4 OZ MIN	UNDERWRITERS' LAB. INC. LISTED RATING	UNLESS OTHERWISE NOTED
DIFFERENTIAL TRAVEL ----- .0004 - .0020	-L96- 15 A - 125, 250, OR 480 VAC	DIMENSIONS ARE IN INCHES
OVERTRAVEL ----- .219 MIN	-L288- 1/2 A - 125 VDC; 1/4 A - 250 VDC	<b>TOLERANCES ARE:</b>
	-L299- 1/8 HP - 125 VAC; 1/4 HP - 250 VAC	ONE PLACE (1.0) ±.030
	-L306- CE Ⓣ Ⓢ	TWO PLACE (.00) ±.015
	16A 250V ~ T85 5E4	THREE PLACE (.000) ±.005
		ANGLES ±
		WEIGHT .093 LB