

OTHER CABINETS

Uni-Cab Universal Cabinet System

Introducing the new series of Uni-Cab desk top cabinets with the same high quality, precise engineering, and exacting standards as the Uni-Pac Line.

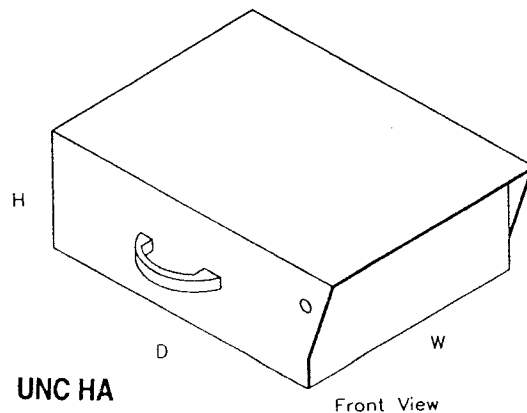
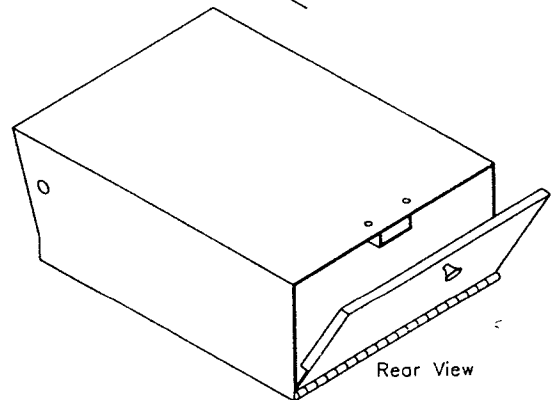
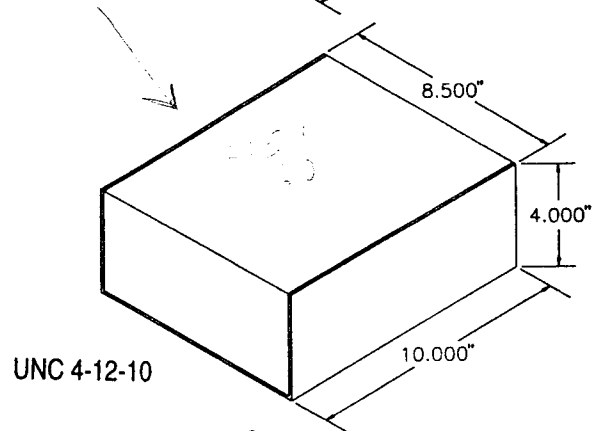
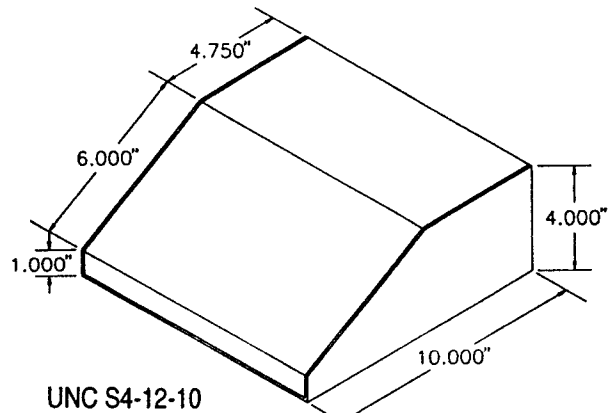
- Bases are .090 aluminum. Covers are .063 aluminum, 3003-H14 metal.
- Pem nuts used throughout for longer life and ease of assembly and disassembly.
- All parts are primed to protect the metal against the elements and to serve as a paint base.

Bases are finished in textured blue (Federal Spec. No. 595A-25109). Covers are finished in semi-gloss white (Federal Spec. No. 595A-27722).

The part number is the exact height, width, and depth, of the cover. The base is approximately 1/4" larger than the cover dimensions.

LMB Model	H	W	D
UNC 2-4-6	2	4	6
UNC 1 3/4-5-5	1 3/4	5	5
UNC 2 3/4-6-6	2 3/4	6	6
UNC 3 1/2-6-7	3 1/2	6	7
UNC 3-7-5	3	7	5
UNC 5-6-6	5	6	6
UNC 4-6-10	4	6	10
UNC 3-10-10	3	10	10
UNC 4-12-10	4	12	10
UNC S4-12-10	4	12	10

All dimensions are outside; all measurements in inches.



HA Series

- Solid removable front.
- Hooded front with removable panel (3 screws).
- Hinged door in back.
- Chrome carrying handle.
- Available in grey, black texture, or plain.

LMB Model	D	W	H
HA-1	11 1/2	10 1/2	5

.050 Aluminum; all measurements in inches.