

| CODE | DIM "M" MATING LENGTH | CONTACT TYPE |
|------|-----------------------|--------------|
| PF | [2.34] | POWER |
| F | [N/A] | SIGNAL |
| PC | [1.07] | POWER |

| | | | | | | | | | | |
|---------------|---------------------------------------|-------------|----------------|------------|----------------|----------|--------|-----------|--------------|----------|
| spec ref | * | dr | Luo Weller | 2012/06/13 | projection | MM | size | A4 | scale | 1:1 |
| tolerance std | TOLERANCES UNLESS OTHERWISE SPECIFIED | eng | Luo Weller | 2012/09/12 | | | ecn no | - | rel level | Released |
| SEE NOTE | | chr | - | - | | | | | | |
| surface | ✓ | appr | Pei-Ming Zheng | 2012/09/12 | product family | PwrBlade | | rev | A | |
| linear | | 0.X | ±0.5 | | title | 40S + 6P | dwg no | 51751-031 | sheet 1 of 4 | |
| angular | 0° | ±2° | | | | | | | | |
| | | www.fci.com | cat. no. | | | | | | | * |

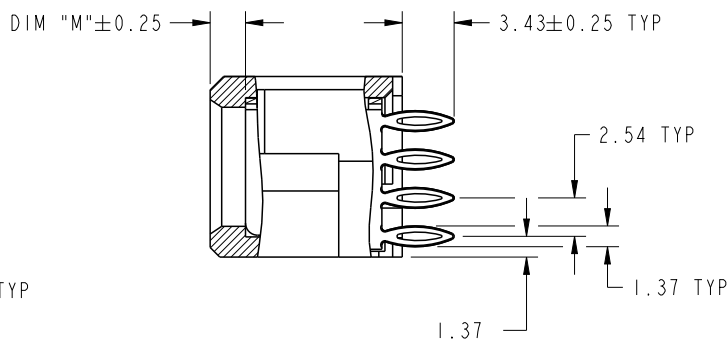
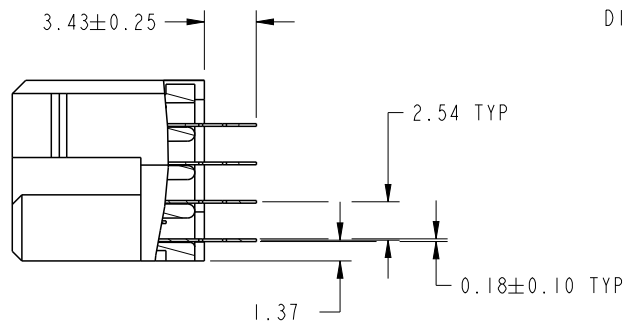


Copyright FCI.

PrdE File - REV C - 2009-06-09

PRODUCT NUMBER

51751-031--
NOTE: 3

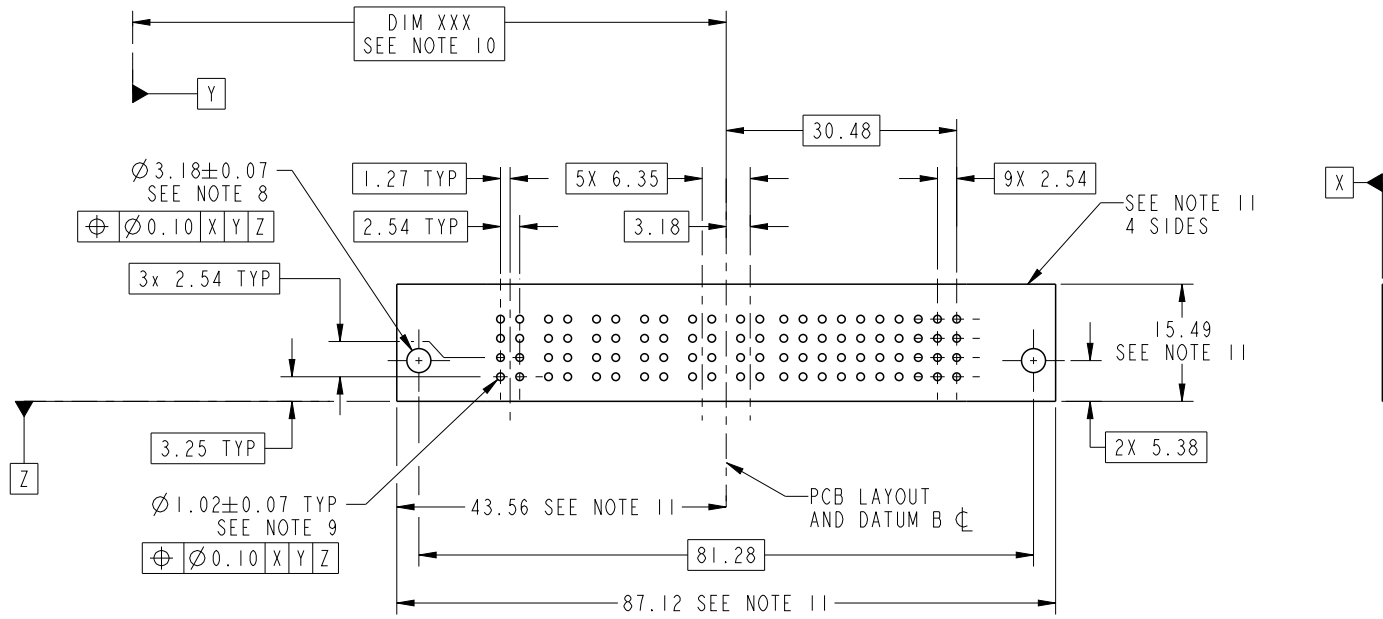


Copyright FCI.

| | | | | | | | | |
|------|----------------|--|---------------------|---------------|------------------------|--------------|-------|-----|
| dr | Luo Weller | 2012/06/13 | projection | MM | size | A4 | scale | 1:1 |
| eng | Luo Weller | 2012/09/12 | | | ecn no | - | | |
| chr | - | - | | | rel level | Released | | |
| appr | Pei-Ming Zheng | 2012/09/12 | product family | PwrBlade | rev | A | | |
| | | title 40S + 6P VERTICAL PRESS-FIT RECEPT | dwg no 51751-031 | cat. no. * | Product - Customer Drw | sheet 2 of 4 | | |

PRODUCT NUMBER

51751-031--
NOTE: 3



RECOMMENDED PCB LAYOUT

| | | | | | | | | |
|-------------|----------------|---------------------------------------|------------------------|----------|--------------|----------|-------|-----|
| dr | Luo Weller | 2012/06/13 | projection | MM | size | A4 | scale | 1:1 |
| eng | Luo Weller | 2012/09/12 | | | ecn no | - | | |
| chr | - | - | | | rel level | Released | | |
| appr | Pei-Ming Zheng | 2012/09/12 | product family | PwrBlade | rev | A | | |
| | title | 40S + 6P VERTICAL PRESS-FIT RECEPT | | dwg no | 51751-031 | | | |
| www.fci.com | cat. no. | * | Product - Customer Drw | | sheet 3 of 4 | | | |

PRODUCT NUMBER

51751-031--
NOTE: 3

NOTES:

1. DIMENSIONS AND TOLERANCES ARE IN ACCORDANCE WITH ASME Y14.5M, 1994 UNLESS OTHERWISE SPECIFIED.

CONNECTOR NOTES:

2 HOUSING MATERIAL: UL 94 V-0 GLASS FILLED HIGH-TEMP THERMOPLASTIC
POWER CONTACT MATERIAL: COPPER ALLOY
SIGNAL PIN MATERIAL: COPPER ALLOY

3. SEE ITEM 7 & 8 IN PRINT I0064183 FOR PLATING SPEC OF 51751-031 AND 51751-031LF RESPECTIVELY.

4 MANUFACTURER'S NAME, DATE CODE AND OPTIONAL P/N TO APPEAR ON THIS SURFACE. THE P/N CAN BE OMITTED IF THERE IS NOT ENOUGH SPACE ON THIS SURFACE.

5. PRODUCT SPECIFICATION GS-12-149.
APPLICATION SPECIFICATION BUS-20-067.

6. PACKAGED IN TRAYS.

PCB NOTES:

7. ALL HOLE DIAMETERS ARE FINISHED HOLE SIZE.

8 MOUNTING HOLES, WHERE APPLICABLE, ARE UNPLATED.

9 $\varnothing 1.151 \pm 0.025$ DRILLED HOLES PLATED WITH
0.008 MIN SnPb OR Sn OVER 0.03
TO 0.08 Cu PLATING TO ACHIEVE
 $\varnothing 1.02 \pm 0.07$ HOLE.

10 "DIM XXX" TO BE DETERMINED BY THE CUSTOMER.

11 CONNECTOR KEEP-OUT ZONE.

12. THE VOID CORING IN BETWEEN POWER MODULES, SIGNAL MODULES AND END MODULES ARE OPTIONAL AND THE SHAPE MAY BE DIFFERENT FOR OPTIMIZE THE MOLDING PROCESS. THE VOID CORING WILL NOT EFFECT TO PRODUCT FUNCTION.



C

Copyright FCI.

D

| | | | | | | | | | | |
|-------------|----------------|------------|----------------|------------------------|----------------|---------------------------------------|--------------|-----------|-----|---|
| dr | Luo Weller | 2012/06/13 | projection | MM | size | A4 | scale | 1:1 | | |
| eng | Luo Weller | 2012/09/12 | | | ecn no | - | | | | |
| chr | - | - | | | product family | PwrBlade | rel level | Released | | |
| appr | Pei-Ming Zheng | 2012/09/12 | | | title | 40S + 6P VERTICAL PRESS-FIT RECEPT | dwg no | 51751-031 | rev | A |
| www.fci.com | | cat. no. | * | Product - Customer Drw | | | sheet 4 of 4 | | | |