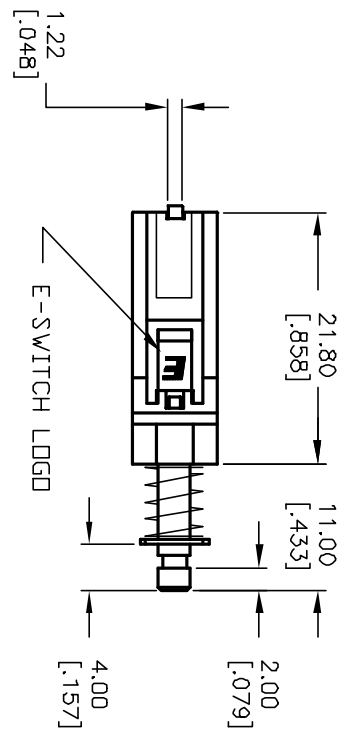
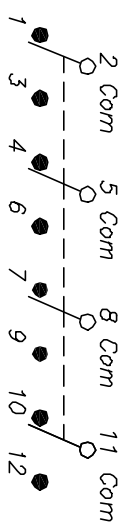


RECOMMENDED PCB LAYOUT



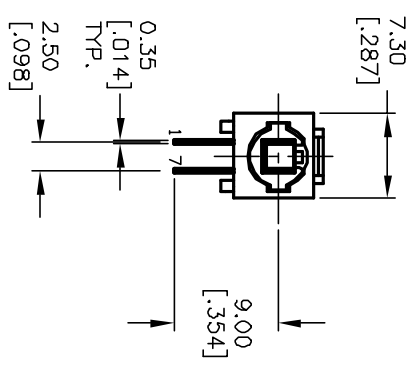
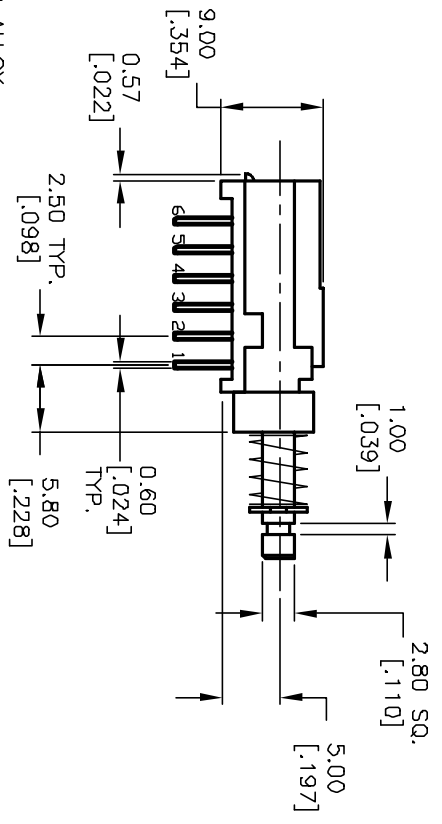
E-SWITCH LOGO



CIRCUIT: 4PDT

NOTES:

1. ALL DIMENSIONS IN MM [INCH]
2. GENERAL TOLERANCE: $X.X = \pm 0.4$
 $X.XX = \pm 0.25$
3. TERM. NOS. FOR REFERENCE ONLY.
4. RATING: 0.1A @30V DC
5. MATERIALS:
CONTACT/TERMINAL: SILVER PLATED COPPER ALLOY
HOUSING/PLUNGER: UL94HB
CONTACT RESISTANCE: 0.1 MAX.
6. TIMING: NON-SHORTING (BBM)
7. OPERATING FORCE: 230 \pm 100g
9. TRAVEL: 2mm
3mm (OVERALL)
10. ELECTRICAL LIFE: >10,000
11. DIELECTIC STRENGTH: 250V RMS



E-SWITCH®

MTH4U DA N AGX (MOMENTARY)

REV.	ECN No.	DESCRIPTION	DATE	CHKD	SCALE	DATE	DR	DWG	REV
C	11999	REVISED AND REDRAWN	3/14/02	CJB	1.5:1	3/14/02	CJB	A960008	C
THE INFORMATION CONTAINED IN THIS DOCUMENT IS PROPRIETARY TO E-SWITCH AND IS NOT TO BE COPIED OR TRANSFERRED									