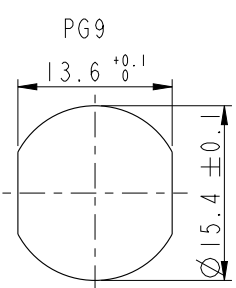
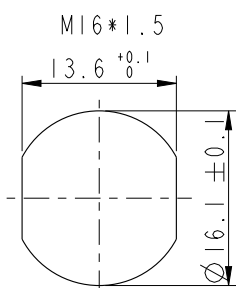


THIS DOCUMENT IS SUBJECT TO CHANGE WITHOUT NOTICE. IT IS CONFIDENTIAL AND A PROPERTY OF Amphenol LTW. DISCLOSURE TO THIRD PARTY HAS TO BE AUTHORIZED BY Amphenol LTW.

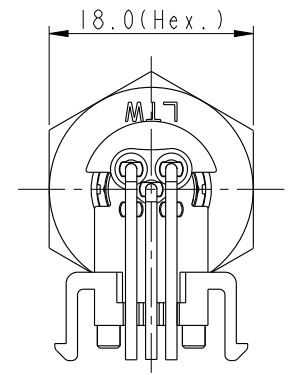
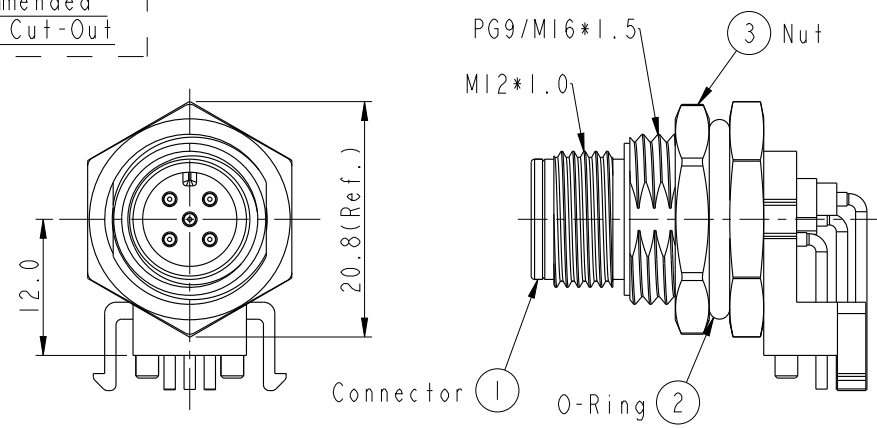
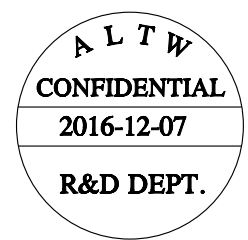
REV.	ECN NO.	DATE	SIGN	DESCRIPTION



Recommended Panel Cut-Out

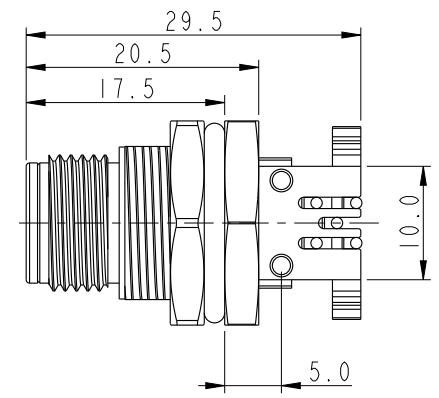


Recommended Panel Cut-Out

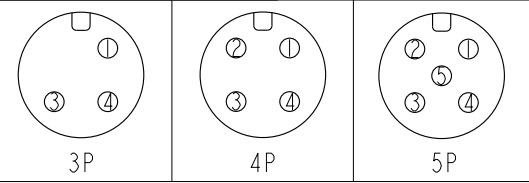


Note:

- * CC Important Dimension To Check.
- * Waterproof Rate: IP68
IP68: 1M Depth Of Water In 24hours
- * Connector: Nylon+GF, Black
- * Male Pin: Copper Alloy, Gold Plated
- * Shell: Zinc Alloy, Nickel Plated.
- * Nut: Zinc Alloy, Nickel Plated.
- * O-ring: Silicon, Black.
- * Boardlock: PBT+PC, Black.
- * Rated Voltage: 3 & 4Pin 250V dc. or ac.
5Pin 60V dc. or ac.
- * Rated Current: 3~5Pin 4A
- * For Panel Thickness Max. 4.5mm
- * For PCB Thickness Max. 1.6mm



M12A-03PMMR-SF8002
M12A-04PMMR-SF8002
M12A-05PMMR-SF8002
M12A-03PMMR-SF8001
M12A-04PMMR-SF8001
M12A-05PMMR-SF8001
Item No.



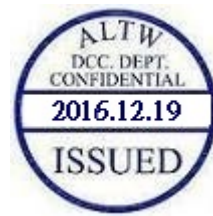
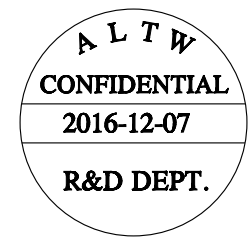
Pin Assignment Front View

UNIT: mm			TITLE M12 90° PANEL MCONN MPIN
TOLERANCE .X ±0.25 .XX ±0.1 .XXX ±0.05 ANGLES ±1°	SCALE 3:2	SIZE A4	SHEET 1 OF 2
REV. A	WC-REV. A.1	CC : Inspection item	

Amphenol LTW
安費諾亮泰企業股份有限公司

ITEM NO.	DRAWN BY Yulong_wang	DATE 2016-12-07
DWG NO. M12A-XXPMMR-SF8XXX	CHECKED BY Jinhai	DATE 2016-12-07
CUSTOMER ALTW	APPROVED BY Jerry	DATE 2016-12-07

THIS DOCUMENT IS SUBJECT TO CHANGE WITHOUT NOTICE. IT IS CONFIDENTIAL AND A PROPERTY OF Amphenol LTW. DISCLOSURE TO THIRD PARTY HAS TO BE AUTHORIZED BY Amphenol LTW.



M 12A - XX P M M R - S F 8 XXX

12A: A-Code

03: 3Pin
04: 4Pin
05: 5Pin

P: Panel (板端)

M: Male Connector (公座)

001: PG9
002: M16*1.5

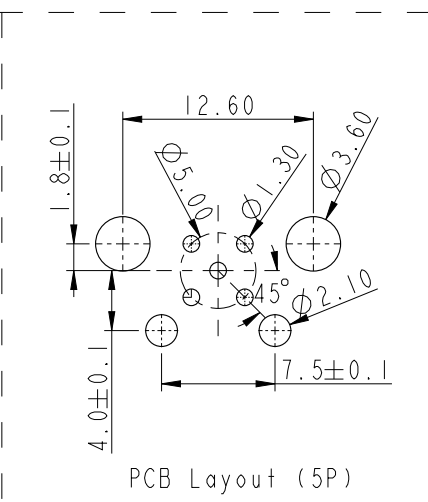
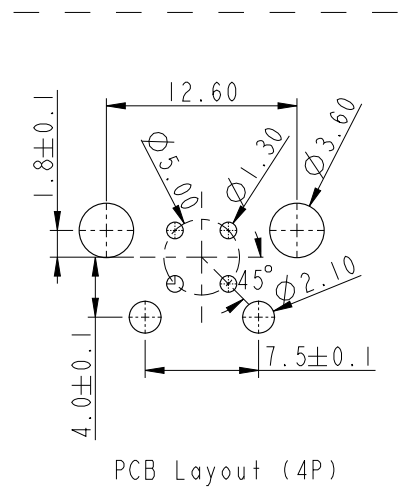
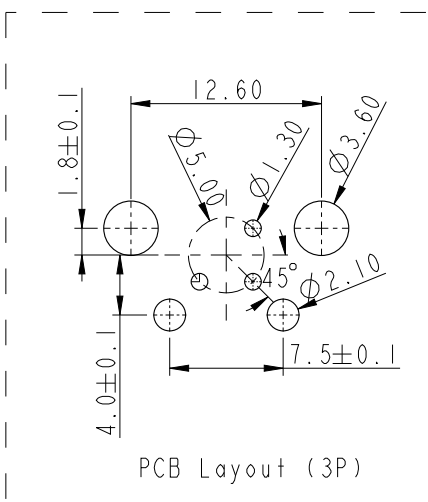
8: IP68 (防水等級68)

F: Front Fasten (前鎖式/Enclosure Rear Mount)

S: Screw (螺紋式)

R: 90° PCB THT/DIP Type (90° 基板插件式)

M: Male Pin (公Pin)



UNIT: mm	
TOLERANCE	
.X	±0.25
.XX	±0.1
.XXX	±0.05
ANGLES	±1°

TITLE MI2 90° PANEL MCONN MPIN			
SCALE 3:2	SIZE A4	SHEET 2 OF 2	
REV. A	WC-REV. A.1	☉: Inspection item	

Amphenol LTW
安費諾亮泰企業股份有限公司

ITEM NO	DRAWN BY	DATE
DWG NO M12A-XXPMMR-SF8XXX	Yulong_wang	2016-12-07
CUSTOMER ALTW	CHECKED BY Jinhai	DATE 2016-12-07
	APPROVED BY Jerry	DATE 2016-12-07

DATE	2016-12-07
DATE	2016-12-07
DATE	2016-12-07