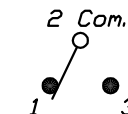
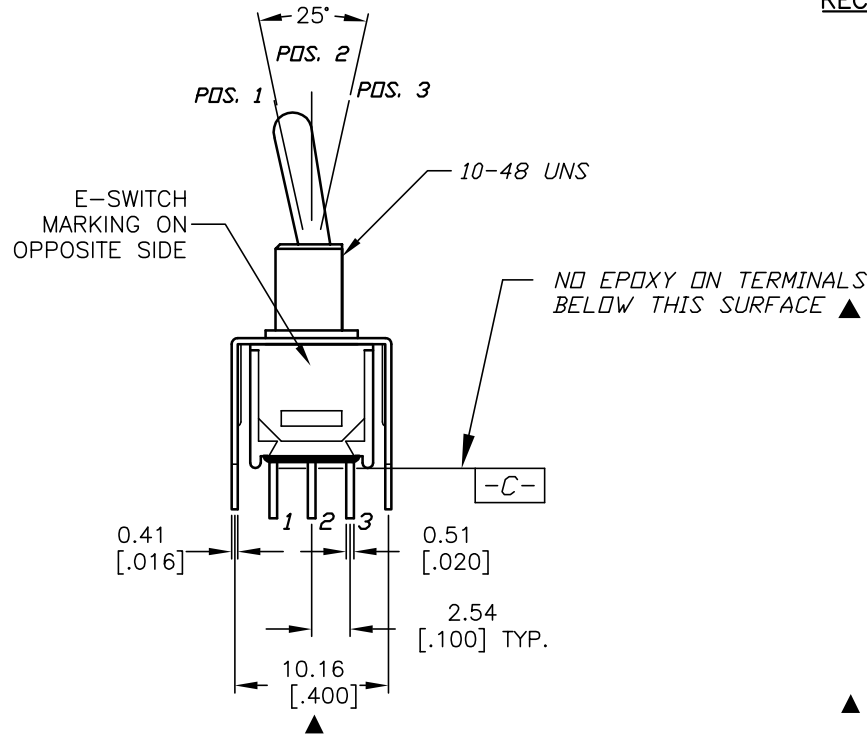
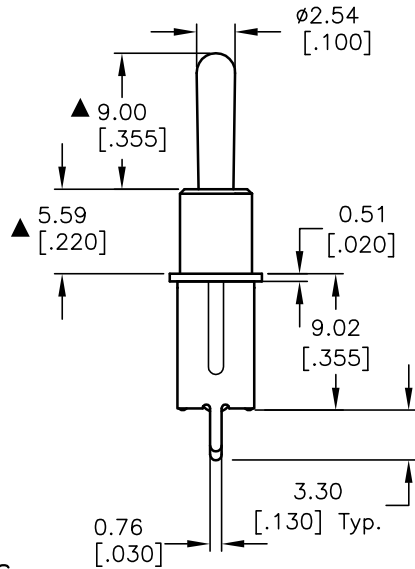


RECOMMENDED P.C.B. LAYOUT



CIRCUIT: SPDT CONTACT CONFIGURATION

NOTES:

1. ALL DIMENSIONS IN MM
2. GENERAL TOLERANCE: X.X=±0.4  
X.XX=±0.25
3. TERM. NOS. FOR REF. ONLY
4. CONTACT RATING: 0.4 (VA) MAX. @20 VAC OR DC MAX.
- ▲ 5. FIXED TERMINAL & MOVING CONTACT: COPPER ALLOY WITH GOLD PLATE OVER NICKEL PLATE
6. ELECTRIC LIFE: 30,000 MAKE-AND-BREAK CYCLES AT FULL LOAD.
7. INSULATION RESISTANCE: 1,000 M OHM MIN.
8. DIELECTRIC STRENGTH: 1,000 V RMS @SEA LEVEL.
9. OPERATING TEMP.: -30°C to 85°C
10. ▲ DENOTES CRITICAL PARAMETER.

SWITCH FUNCTION		
POS. 1	POS. 2	POS. 3
ON	OFF	ON
2-3	OPEN	2-1

**E-SWITCH®**

TITLE				
200MSP3T1B2VS2RE				
SCALE	DATE	DR	DWG	REV
2:1	6/8/04	AR	T213018	A

A	14075	RELEASED FOR PRODUCTION	6/8/04	AR
REV.	ECN No.	DESCRIPTION	DATE	CHKD

THE INFORMATION CONTAINED IN THIS DOCUMENT IS PROPRIETARY TO E-SWITCH AND IS NOT TO BE COPIED OR TRANSFERRED