

MODEL NUMBER
PWD-5511-02-SMA-79

REV.
-1

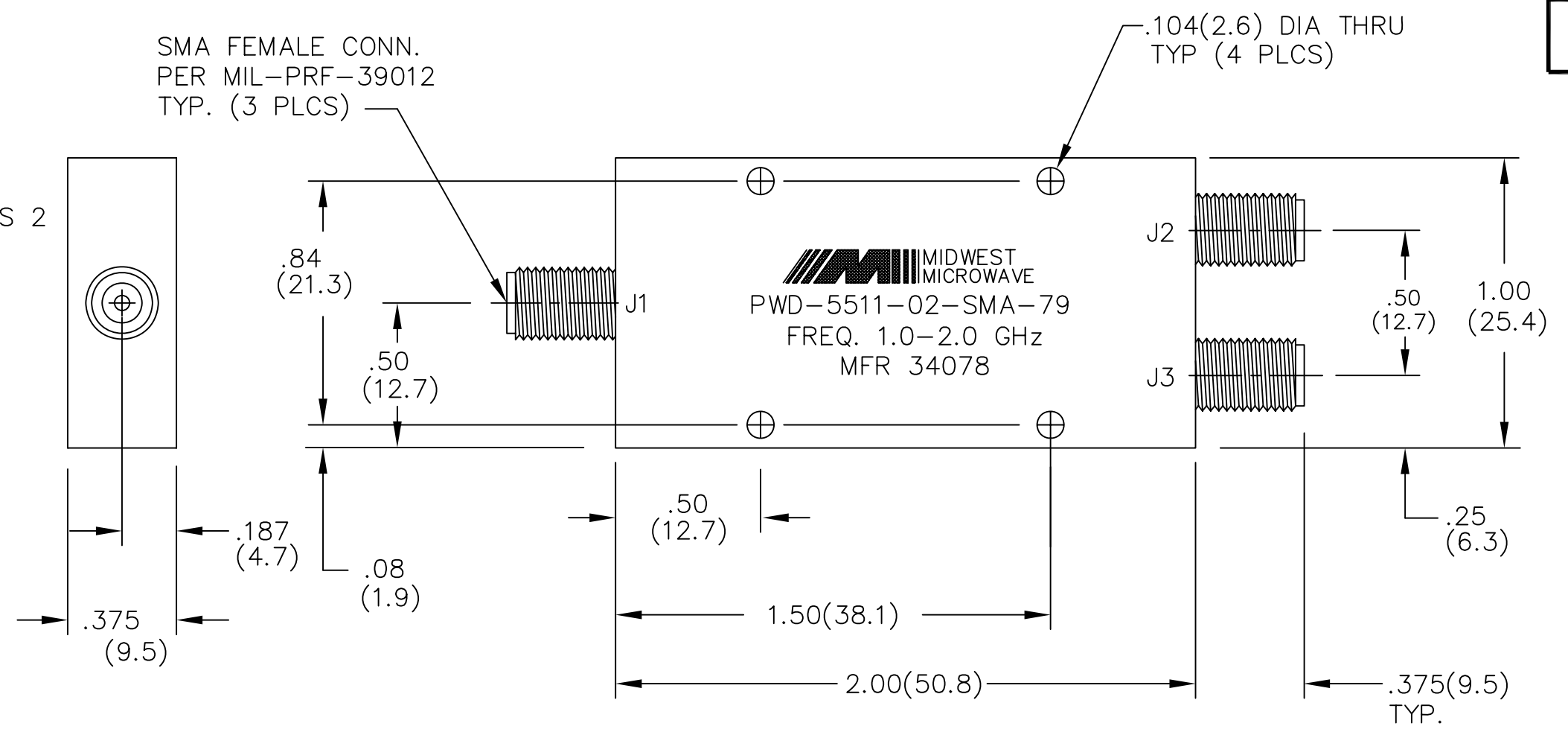
- NOTES:
- 1.0 ELECTRICAL SPECIFICATIONS:
 - 1.1 FREQUENCY RANGE: 1.0 to 2.0 GHz
 - 1.2 INSERTION LOSS: 0.4dB MAX.
 - 1.3 ISOLATION: 20dB MIN.
 - 1.4 VSWR (MAX): 1.25:1
 - 1.5 OUTPUT UNBALANCE:
 - 1.5.1 AMPLITUDE: 0.2dB MAX.
 - 1.5.2 PHASE: 2.0° MAX.
 - 1.6 MAX. INPUT POWER: 30 WATTS
WITH OUTPUT LOAD VSWR ≤ 2.0:1
 - 1.7 OPERATING TEMP. RANGE:
-65°C to +125°C

- 2.0 FINISH
 - 2.1 EPOXY SEAL WITH EMERSON-CUMING ECCOBOND 45 EPOXY & CATALYST 15
 - 2.2 GREY OVER MIL-E-15090 TYPE II, CLASS 2 OVER MIL-C-5541, CLASS 3A
 - 2.3 MEETS MIL-F-14072
 - 2.4 MEETS MIL-E-5400 & MIL-E-16400V.

3.0 DATA: (NO DATA REQUIRED)

4.0 DIMENSIONS IN PARENTHESIS ARE IN MILLIMETERS.

5.0 MARKING:
USE SILKSCREEN NO. SLK-09422-82-04



DATE	12/12/91	7/18/05
DESCRIPTION	RELEASED	ADDED TITLEBLOCK
REV.	-	-1

UNLESS OTHERWISE NOTED DIMENSIONS ARE IN INCHES AND TOLERANCES ARE: 3 PLACE DECIMALS ±.005 2 PLACE DECIMALS ±.02 FRACTIONS ±1/64 PARALLELITY: T.I.R. _____ FLATNESS: T.I.R. _____ CONCENTRICITY: T.I.R. _____ ANGLES AND PERPENDICULARITY: ±1°	FSCM NO. 34078	MIDWEST MICROWAVE	
	NOTICE: The information contained in this drawing is proprietary and must not be used without the permission of Midwest Microwave	TITLE POWER DIVIDER	
DRAWN/DATE C.RICKARD 12/10/91	ENG./DATE A.CATALANO 12/11/91	DRAWING NUMBER PWD-5511-02-SMA-79	
CHECKED/DATE A.BEATTY 12/10/91	APPROVED/DATE	SCALE: 2=1	SHEET 1 of 1