

5

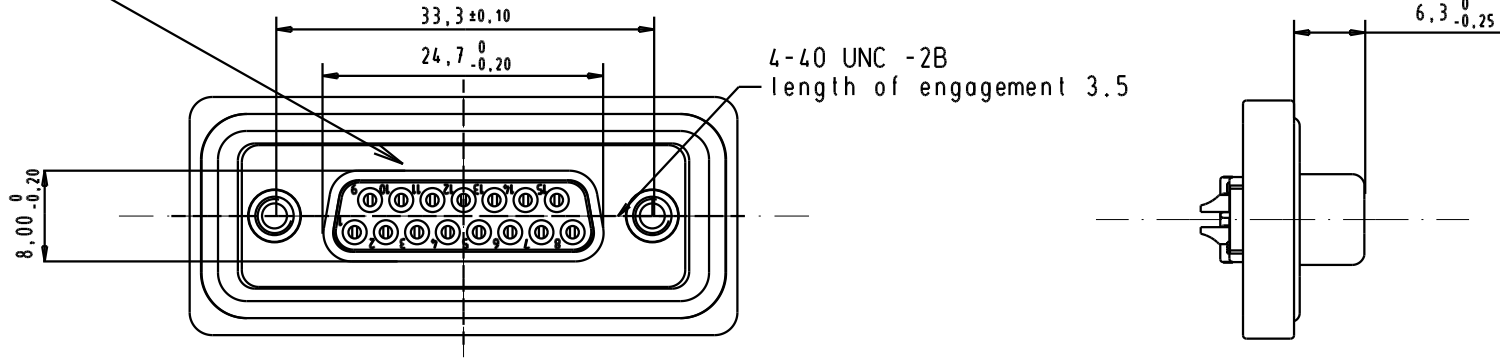
4

3

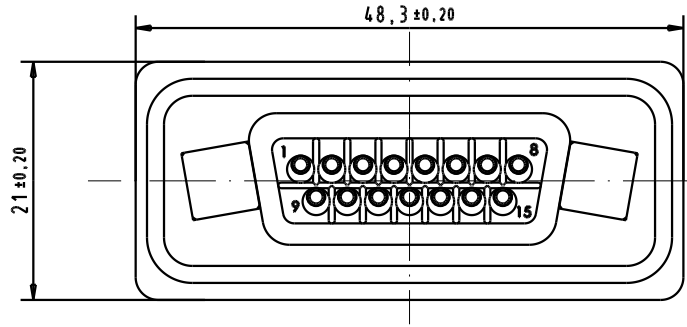
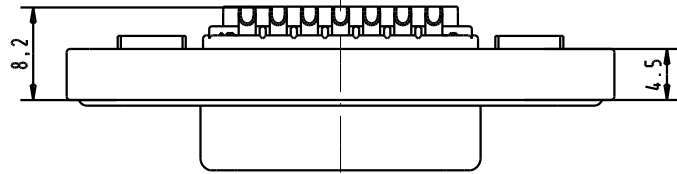
2

1

Mating face according to : MIL-C-24308 / DIN 41652 / CECC 75.01-802

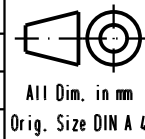


- 1) Protection standard IP 67 according to IEC 529 / DIN 40050.
- 2) cable: AWG 20 max



09 67 615 6715	Au plating 0,76 μm mini
----------------	-------------------------

				Dat.	Name
				Detail.	03/02/04 S.H.
				Insp.	
				Stand.	



D-SUB IP67 female 15 Poles  
straight solder cup with  
4-40 UNC nut and metal frame

Maßstab/  
Scale

Part Number	Performance Level

31587	03/02/04	S.H
Mod.	Dat.	Name

HARTING ELEKTRONIK  
F-95972 Paris



TB 09 67 615 6715

Blatt/ Page

Sub.