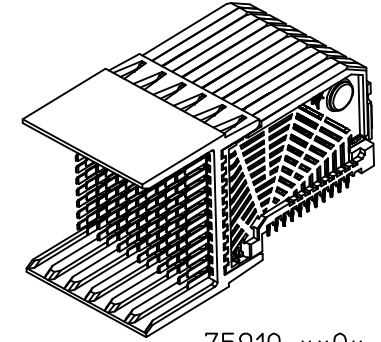


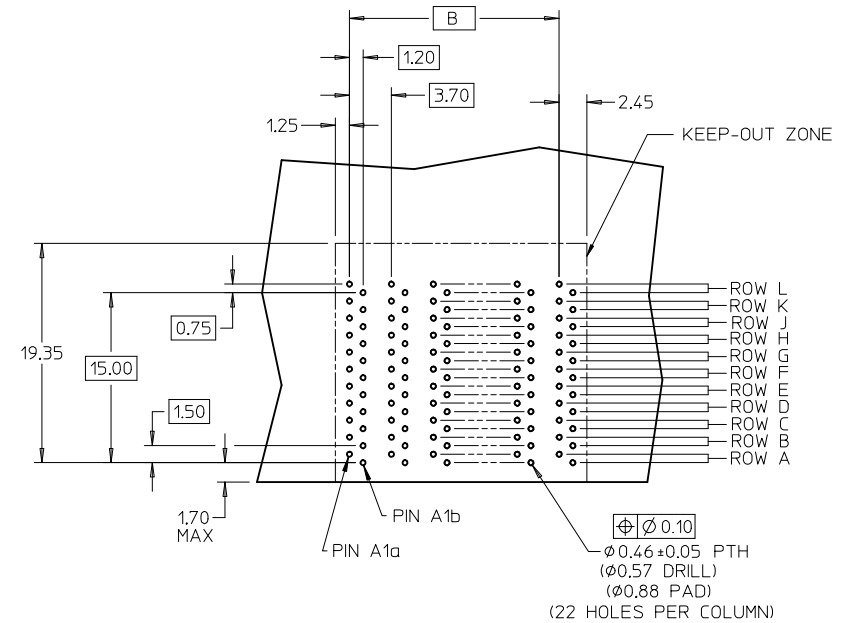
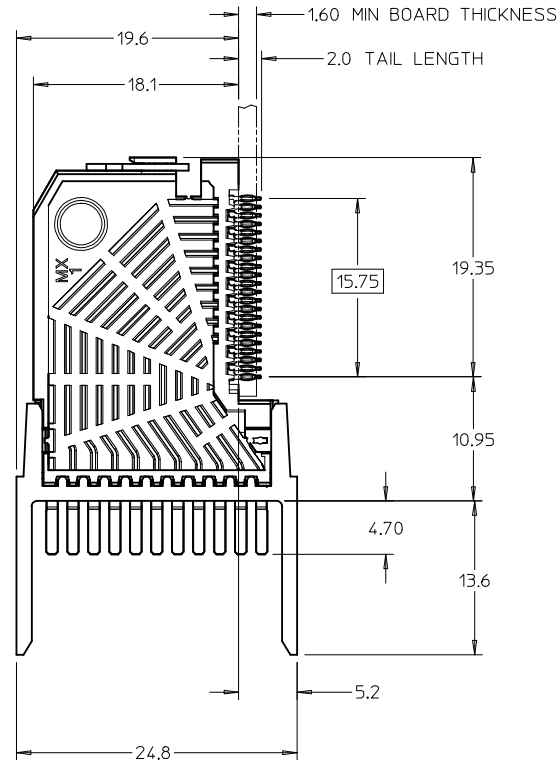
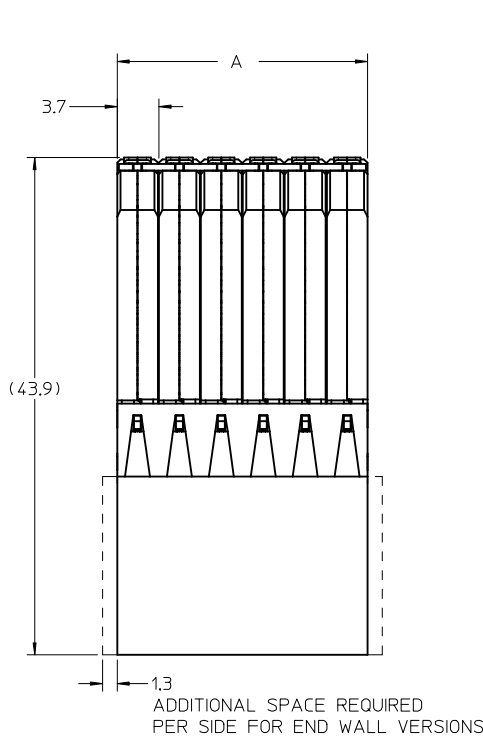
NOTES:

1. MATERIALS: HOUSING - LIQUID CRYSTAL POLYMER (LCP), BLACK, UL94V-0
TERMINALS - HIGH PERFORMANCE COPPER ALLOY.
2. FINISH: SELECTIVE GOLD IN CONTACT AREA.
SELECTIVE MATTE TIN ON PCB TAILS, NICKEL OVERALL.
3. REFER TO MOLEX PRODUCT SPECIFICATION PS-75710-999 FOR PERFORMANCE SPECIFICATIONS.
4. PACKAGED PER PK-70873-585.
5. THIS PART CONFORMS TO CLASS B REQUIREMENTS OF MOLEX COSMETIC SPEC PS-45499-002.
6. GUIDED PARTS TO BE SHIPPED WITH 2-32 TYPE AB SELF-TAPPING SCREW P/N 73726-0000.
7. MAPS (MOLEX ADVANCED PLATING SYSTEM).

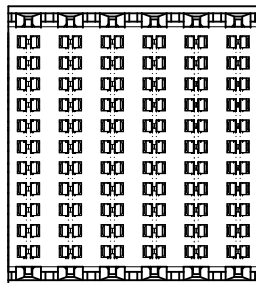
MATERIAL NUMBER	# OF COLUMNS	DIM "A" MAX	DIM "B"
75910-*5**	5	18.50	14.80
75910-*6**	6	22.20	18.50
75910-*1**	10	37.00	33.30



75910-***0*
UNGUIDED,
OPEN ENDED



(75910-***3)
(75910-***7)



RAM HOLE PATTERN
(CONNECTOR SIDE)

LEAD FREE CONV./MAPS EC NO: UCP2013-4121 DRWR:RHIPPLE 2013/04/01 CHKD:MWOLFE 2013/04/01 APPR:SMILLER 2013/07/15	QUALITY SYMBOLS ▽=0 ▽=0 ▽=0	GENERAL TOLERANCES (UNLESS SPECIFIED)		DIMENSION STYLE MM ONLY		SCALE 3:1	DESIGN UNITS METRIC	THIRD ANGLE PROJECTION	
		4 PLACES ± --- ± --- 3 PLACES ± --- ± --- 2 PLACES ± 0.13 ± --- 1 PLACE ± 0.25 ± --- 0 PLACE ± ±	mm INCH ± --- ± --- ± 0.13 ± --- ± 0.25 ± --- ± ±	DRAWN BY JLAURX	DATE 2005/9/13	CHECKED BY ELO	DATE 2006/11/09	TITLE I-TRAC 11 ROW RAM ASS'Y DIFFERENTIAL LONG NOSE UNGUIDED	
DRAFT WHERE APPLICABLE MUST REMAIN WITHIN DIMENSIONS		ANGULAR ±1/2°		APPROVED BY CBIXLER		DATE 2006/11/10		DOCUMENT NO. SD-75910-001	
SIZE C				MATERIAL NO. SEE CHART				SHEET NO. 1 OF 3	
THIS DRAWING CONTAINS INFORMATION THAT IS PROPRIETARY TO MOLEX INCORPORATED AND SHOULD NOT BE USED WITHOUT WRITTEN PERMISSION									

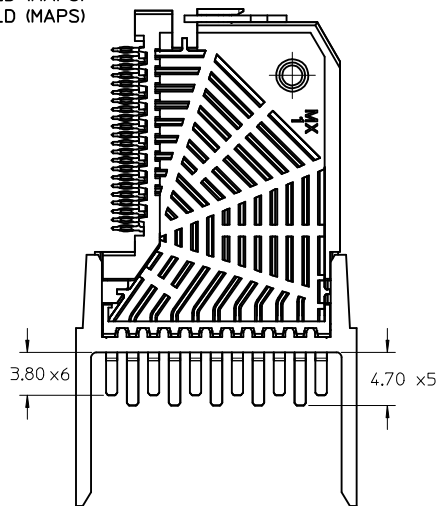
75910-****

MODULE TYPE -- TAIL PLATING TYPE
 0 = UNGUIDED - MATTE TIN (FORMERLY TIN/LEAD)
 1 = UNGUIDED - MATTE TIN

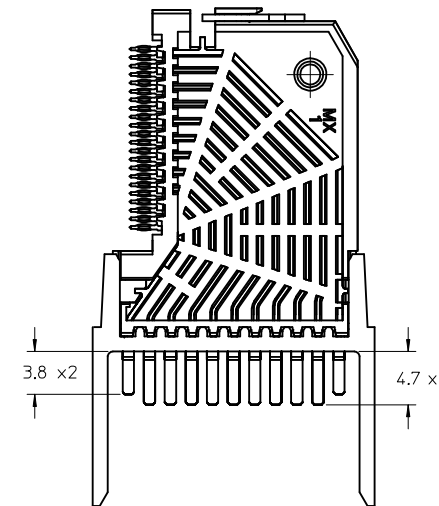
OF COLUMNS
 5 = 5 COL
 6 = 6 COL
 1 = 10 COL

PIN LENGTH/PLATING
 3 = 4.70 30 GOLD
 5 = 6 X 3.80, 5 X 4.70 STAGGERED 30 GOLD
 6 = 2 X 3.80, 9 X 4.70 STAGGERED 30 GOLD
 7 = 4.70 10 GOLD (MAPS)
 8 = 6 X 3.80, 5 X 4.70 STAGGERED 10 GOLD (MAPS)
 9 = 2 X 3.80, 9 X 4.70 STAGGERED 10 GOLD (MAPS)

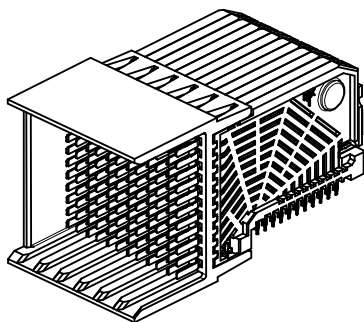
HOUSING STYLE
 0 = OPEN ENDED
 1 = LEFT-END WALL
 2 = RIGHT-END WALL
 3 = DUAL-END WALL



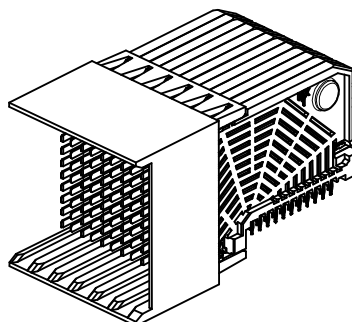
STAGGERED PIN OPTION
 (75910-***5)
 (75910-***8)



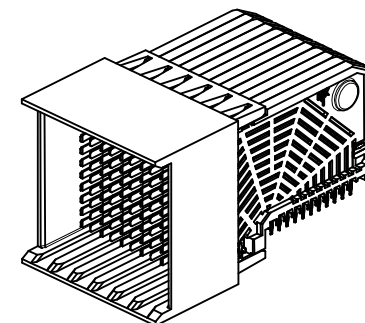
STAGGERED PIN OPTION
 (75910-***6)
 (75910-***9)



75910-**1*
 LEFT-END WALL



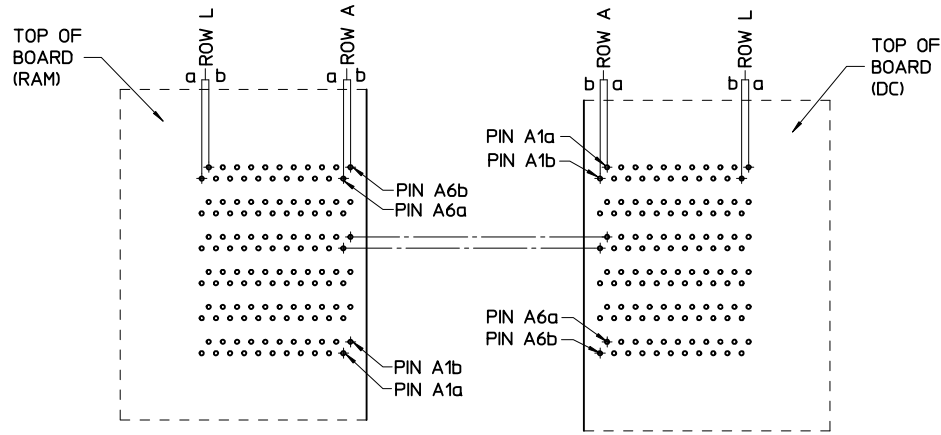
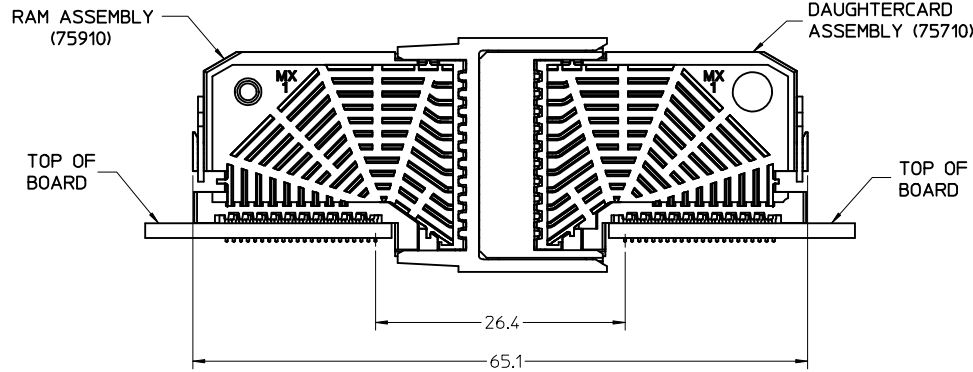
75910-**2*
 RIGHT-END WALL



75910-**3*
 DUAL-END WALL

SEE SHEET 1 EC NO: UCP2013-4121 DRW:RWH/PPLE 2013/04/01 CHKD:MMOLFE 2013/04/01 APPR:SMILLER 2013/07/15	QUALITY SYMBOLS ▽=0 ▽=0 ▽=0	GENERAL TOLERANCES (UNLESS SPECIFIED)		DIMENSION STYLE MM ONLY	SCALE 3:1	DESIGN UNITS METRIC	THIRD ANGLE PROJECTION	
		4 PLACES ± --- ± ---	3 PLACES ± --- ± ---	DRAWN BY JLAURX	DATE 2005/9/13	TITLE I-TRAC 11 ROW RAM ASS'Y DIFFERENTIAL LONG NOSE UNGUIDED		
		2 PLACES ± 0.13 ± ---	1 PLACE ± 0.25 ± ---	CHECKED BY ELO	DATE 2006/11/09	APPROVED BY CBIXLER		
		0 PLACE ± ±	ANGULAR ±1/2°	MATERIAL NO. SEE CHART	DATE 2006/11/10	DOCUMENT NO. SD-75910-001	SHEET NO. 2 OF 3	
DRAFT WHERE APPLICABLE MUST REMAIN WITHIN DIMENSIONS		THIS DRAWING CONTAINS INFORMATION THAT IS PROPRIETARY TO MOLEX INCORPORATED AND SHOULD NOT BE USED WITHOUT WRITTEN PERMISSION						

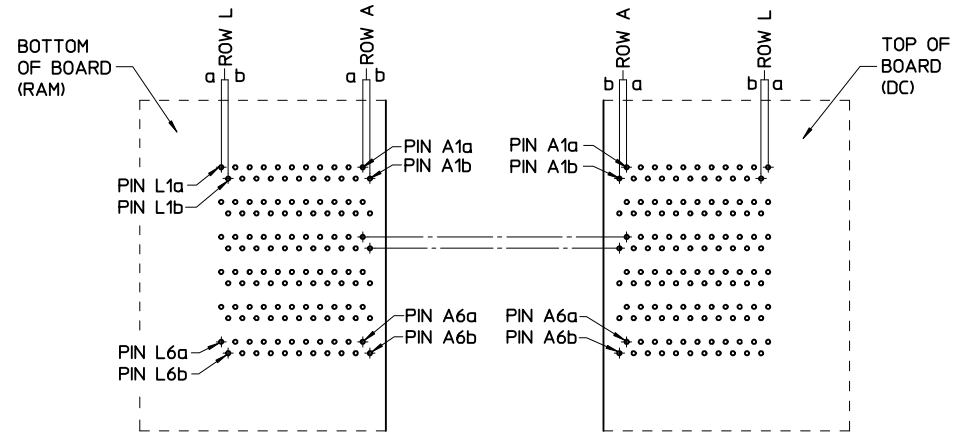
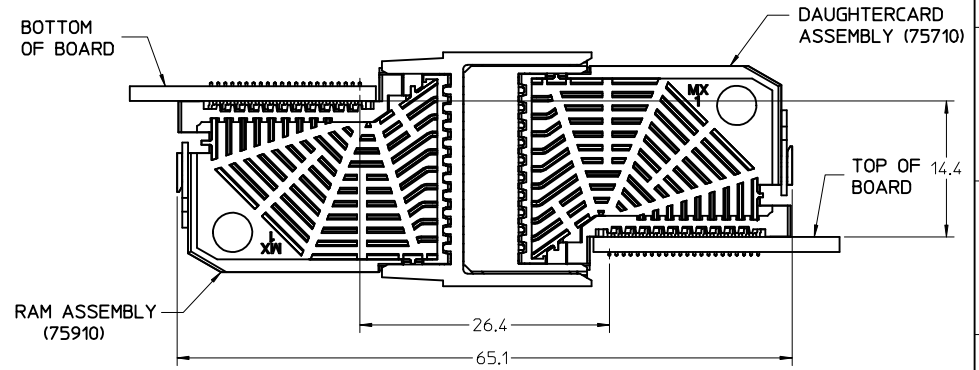
COPLANAR APPLICATION



COPLANAR MATED SIGNAL PATHS

RAM PIN A6b	DC PIN A1a
RAM PIN A6a	DC PIN A1b
.....
RAM PIN A1b	DC PIN A6a
RAM PIN A1a	DC PIN A6b

INVERTED APPLICATION



INVERTED MATED SIGNAL PATHS

RAM PIN L1a	DC PIN A1a
RAM PIN L1b	DC PIN A1b
.....
RAM PIN L6a	DC PIN A6a
RAM PIN L6b	DC PIN A6b

SEE SHEET 1 EC NO: UCP2013-4121 DRWN:RHIPPLE 2013/04/01 CHKD:MWOLFE 2013/04/01 APPR:SMILLER 2013/07/15	QUALITY SYMBOLS ▽=0 ▽=0 ▽=0	GENERAL TOLERANCES (UNLESS SPECIFIED) <table border="1"> <tr> <th></th> <th>mm</th> <th>INCH</th> </tr> <tr> <td>4 PLACES</td> <td>± ---</td> <td>± ---</td> </tr> <tr> <td>3 PLACES</td> <td>± ---</td> <td>± ---</td> </tr> <tr> <td>2 PLACES</td> <td>± 0.13</td> <td>± ---</td> </tr> <tr> <td>1 PLACE</td> <td>± 0.25</td> <td>± ---</td> </tr> <tr> <td>0 PLACE</td> <td>±</td> <td>±</td> </tr> </table>		mm	INCH	4 PLACES	± ---	± ---	3 PLACES	± ---	± ---	2 PLACES	± 0.13	± ---	1 PLACE	± 0.25	± ---	0 PLACE	±	±	DIMENSION STYLE MM ONLY DRAWN BY: JLAURX DATE: 2005/9/13 CHECKED BY: ELO DATE: 2006/11/09 APPROVED BY: CBIXLER DATE: 2006/11/10	SCALE: 2:1 DESIGN UNITS: METRIC THIRD ANGLE PROJECTION	TITLE: I-TRAC 11 ROW RAM ASS'Y DIFFERENTIAL LONG NOSE UNGUIDED
		mm	INCH																				
	4 PLACES	± ---	± ---																				
	3 PLACES	± ---	± ---																				
2 PLACES	± 0.13	± ---																					
1 PLACE	± 0.25	± ---																					
0 PLACE	±	±																					
MATERIAL NO. SEE CHART	DOCUMENT NO. SD-75910-001	SHEET NO. 3 OF 3																					
DRAFT WHERE APPLICABLE MUST REMAIN WITHIN DIMENSIONS			THIS DRAWING CONTAINS INFORMATION THAT IS PROPRIETARY TO MOLEX INCORPORATED AND SHOULD NOT BE USED WITHOUT WRITTEN PERMISSION																				
molex																							