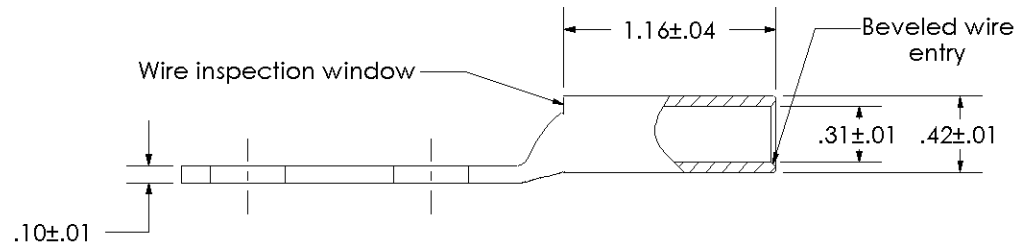
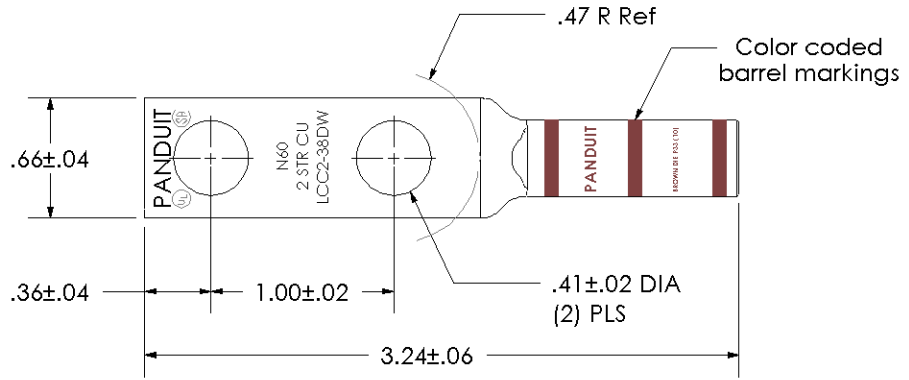


THIS COPY IS PROVIDED ON A RESTRICTED BASIS AND IS NOT TO BE USED IN ANY WAY DETRIMENTAL TO THE INTERESTS OF PANDUIT CORP.

Material	High Conductivity Seamless Copper Tube
Plating	Electro-Tin
Wire Size	2 AWG
Wire Type	Stranded Copper; Class B: Compact, Compressed or Concentric, Class C: Concentric
Wire Strip Length	1-1/4 in.
Stud Size	3/8 in.
UL Listed Wire Connector	Yes, for applications up to 35kv. Consult cable manufacturer for voltage stress relief instructions with applications greater than 2000 volts.
UL Temperature Rating	90° C
C.S.A Certified Wire Connector	Yes
Panduit Color Code on Barrel	BROWN
Panduit Die Index No. on Barrel	P33
Alternate Industry Die Index No. ( ) on Barrel	(10)



CERTIFIED



LISTED Wire Connector

**PANDUIT CORP.** TINLEY PARK, ILLINOIS

LCC2-38DW-Q  
Copper Lug - Two-Hole, Long Barrel with Window

00 9/02 SAB DRL

RELEASED

10340

REV DATE BY CHK

DESCRIPTION

ECN

SCALE N/A

DRAWING NO / CAD FILE

LCC2-38DW-CUST