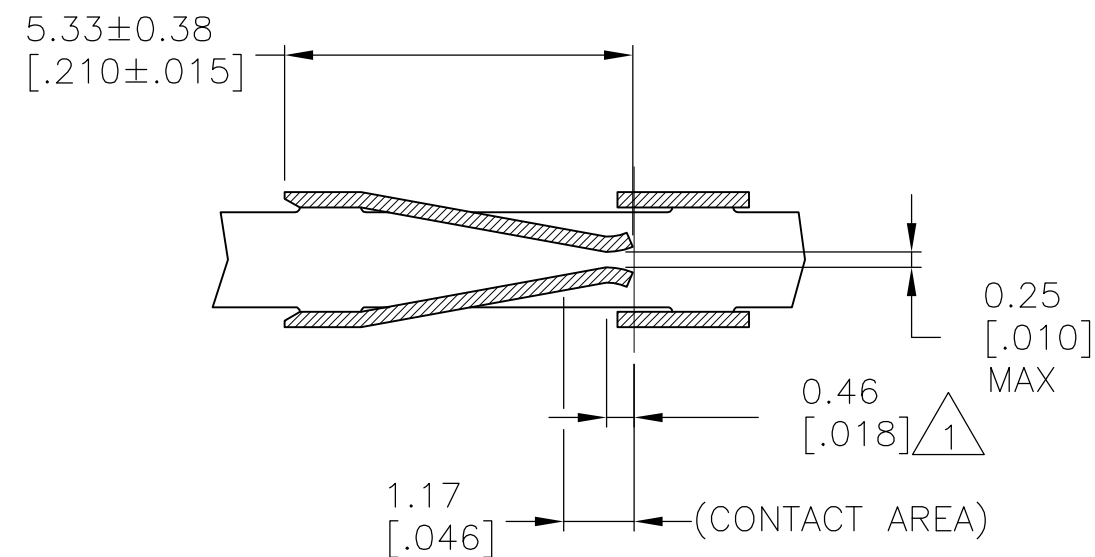
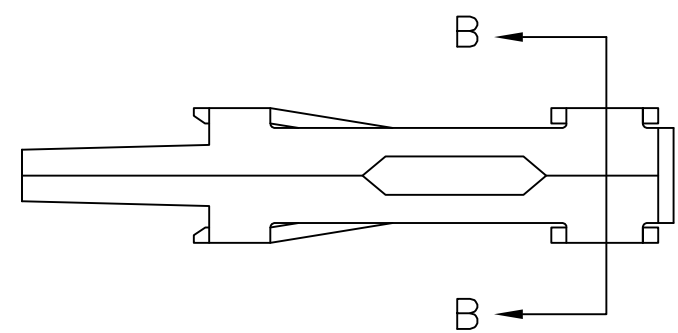
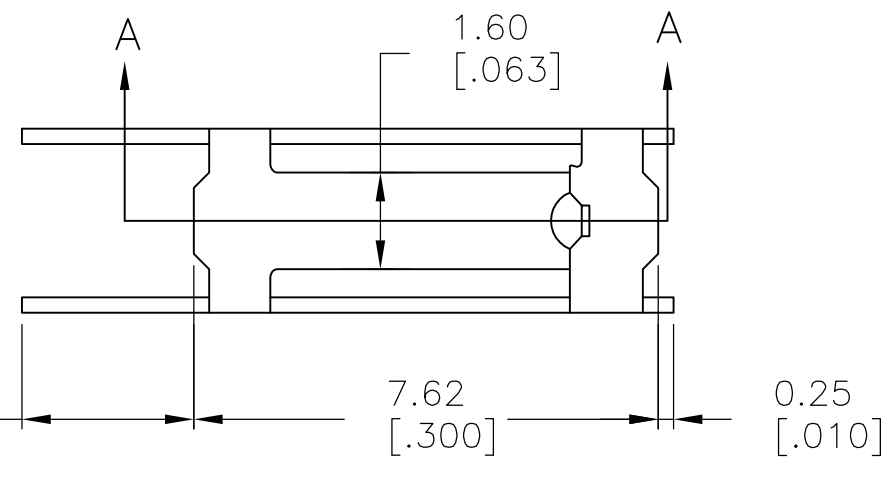
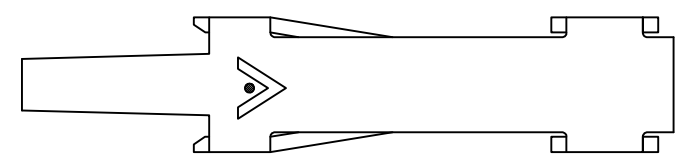
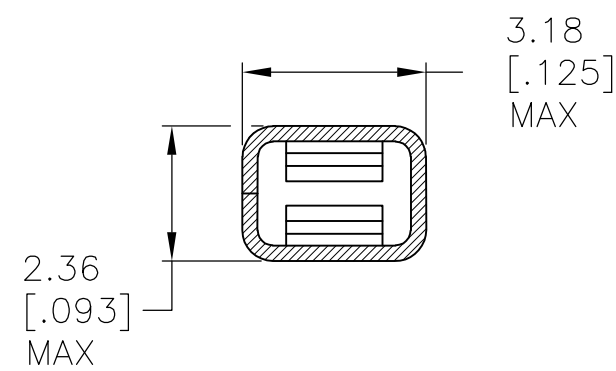


THIS DRAWING IS UNPUBLISHED. RELEASED FOR PUBLICATION  
 © COPYRIGHT BY TYCO ELECTRONICS CORPORATION. ALL RIGHTS RESERVED.

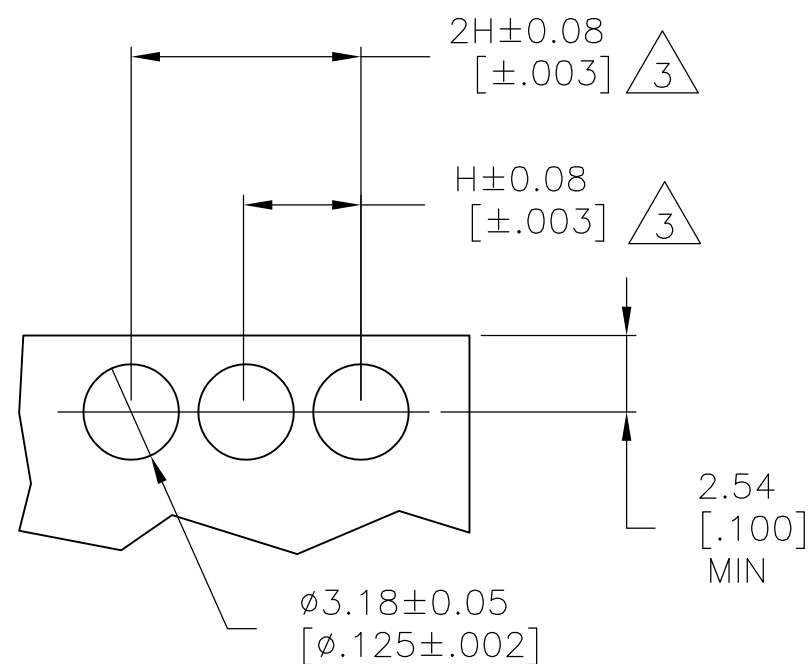
LOC		DIST		REVISIONS			
P	LTR	DESCRIPTION	DATE	DWN	APVD		
A1		ECO-07-014163	08JAN08	MB	NE		



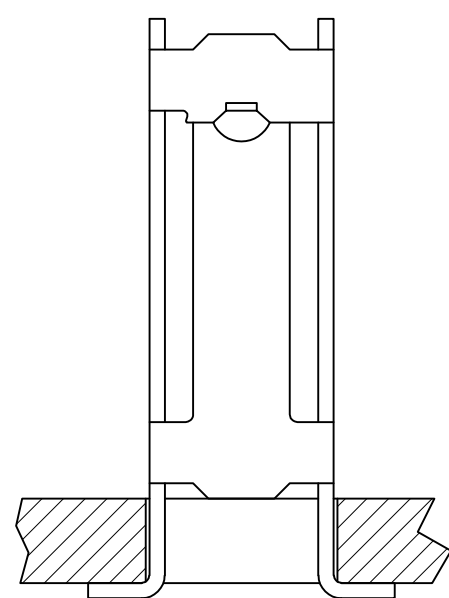
SECTION A-A



SECTION B-B



RECOMMENDED P.C. BOARD LAYOUT



TYPICAL APPLICATION

- 1 POINT OF MEASUREMENT FOR PLATING THICKNESS (INSIDE BEAMS).
- 3 "H" RECEPTACLE CENTERS MAY VARY DEPENDING ON REQUIREMENTS. MINIMUM NOMINAL CENTER SPACING BETWEEN ADJACENT RECEPTACLES IS 3.81±0.08 [.150±.003]
- 4 GOLD FLASH OVER 0.00127 [.000050] NICKEL ENTIRE TERMINAL, 0.00038 [.000015] GOLD ON CONTACT AREA ONLY.
- 5 GOLD FLASH OVER 0.00127 [.000050] NICKEL ENTIRE TERMINAL, 0.00076 [.000030] GOLD ON CONTACT AREA ONLY.
- 6 0.00127 [.000050] GOLD OVER 0.00127 [.000050] NICKEL ENTIRE TERMINAL.
- 7 0.00076 [.000030] GOLD OVER 0.00127 [.000050] NICKEL ENTIRE TERMINAL.
- 8 0.00038 [.000015] GOLD ON CONTACT AREA, 0.00254-0.00508 [.000100-.000200] BRIGHT TIN-LEAD ON TERMINATION AREA, ALL OVER 0.00127 [.000050] NICKEL ENTIRE TERMINAL.
- 9 0.00076 [.000030] GOLD ON CONTACT AREA, 0.00254-0.00508 [.000100-.000200] BRIGHT TIN-LEAD ON TERMINATION AREA, ALL OVER 0.00127 [.000050] NICKEL ENTIRE TERMINAL.
- 10 0.00200 [.000079] MIN TIN.

	MINIATURE	1-86477-1	10	-
OBSOLETE	MINIATURE	1-86477-0	9	86480-7
OBSOLETE	MINIATURE	86477-9	8	86480-6
	MINIATURE	86477-8	7	86480-5
	-	-	-	-
OBSOLETE	MINIATURE	86477-6	6	86480-4
	-	-	-	-
	MINIATURE	86477-3	10	86480-3
	MINIATURE	86477-2	5	86480-2
OBSOLETE	MINIATURE	86477-1	4	86480-1
	REELED FOR APPLICATOR	STRIP PART NUMBER	FINISH	PART NO

THIS DRAWING IS A CONTROLLED DOCUMENT.		DWN E. BRANDBERG 28DEC96	Tyco Electronics Corporation Harrisburg, Pa 17105-3608	
DIMENSIONS: mm [INCHES]		CHK J. HERRINGTON 28DEC96	NAME RECEPTACLE, MOD I STANDARD PRESSURE, TYPE A	
TOLERANCES UNLESS OTHERWISE SPECIFIED: 0 PLC ± - 1 PLC ± - 2 PLC ± - 3 PLC ± 0.13 [.005] 4 PLC ± - ANGLES ± -		APVD J. HERRINGTON 28DEC96	PRODUCT SPEC APPLICATION SPEC	
MATERIAL PHOS BRONZE	FINISH SEE TABLE	WEIGHT -	SIZE A2	CAGE CODE -
		DRAWING NO C=86480		RESTRICTED TO -
CUSTOMER DRAWING		SCALE 8:1	SHEET 1 OF 1	REV A1

86480

A