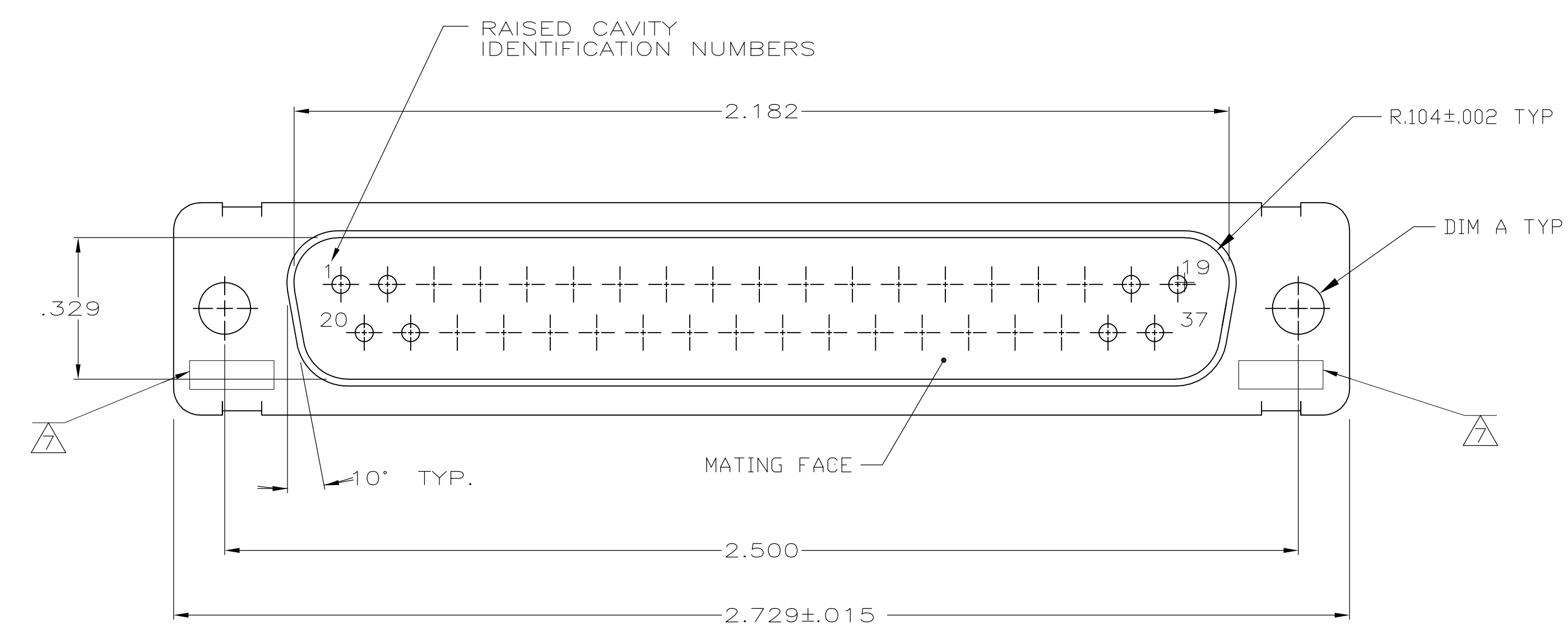
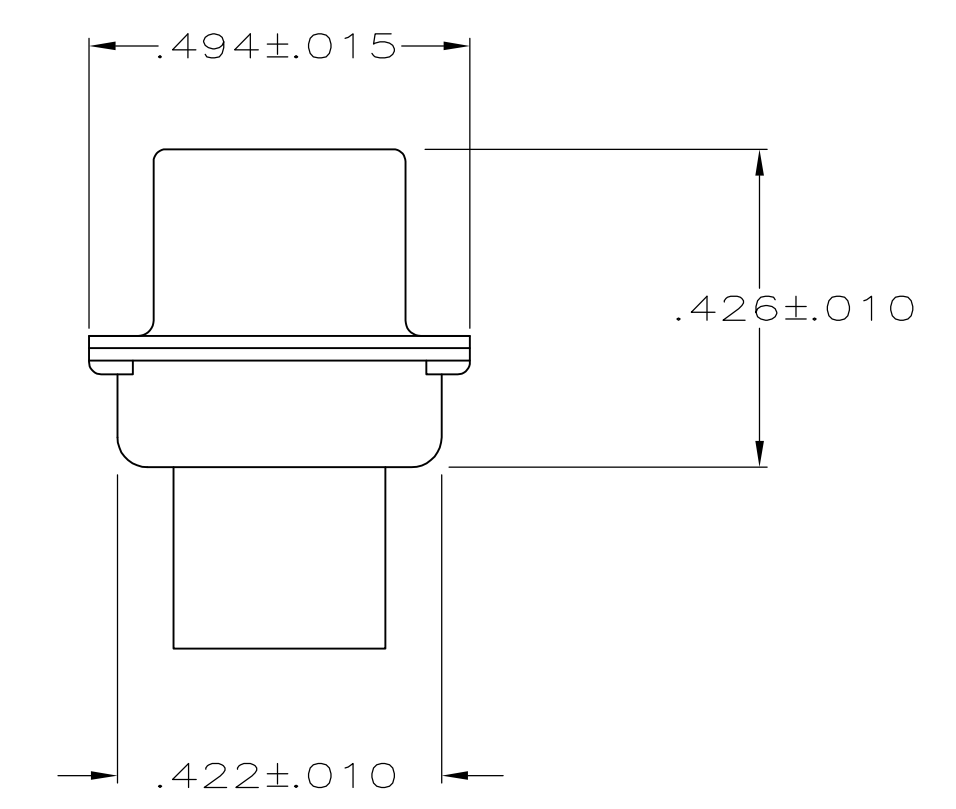
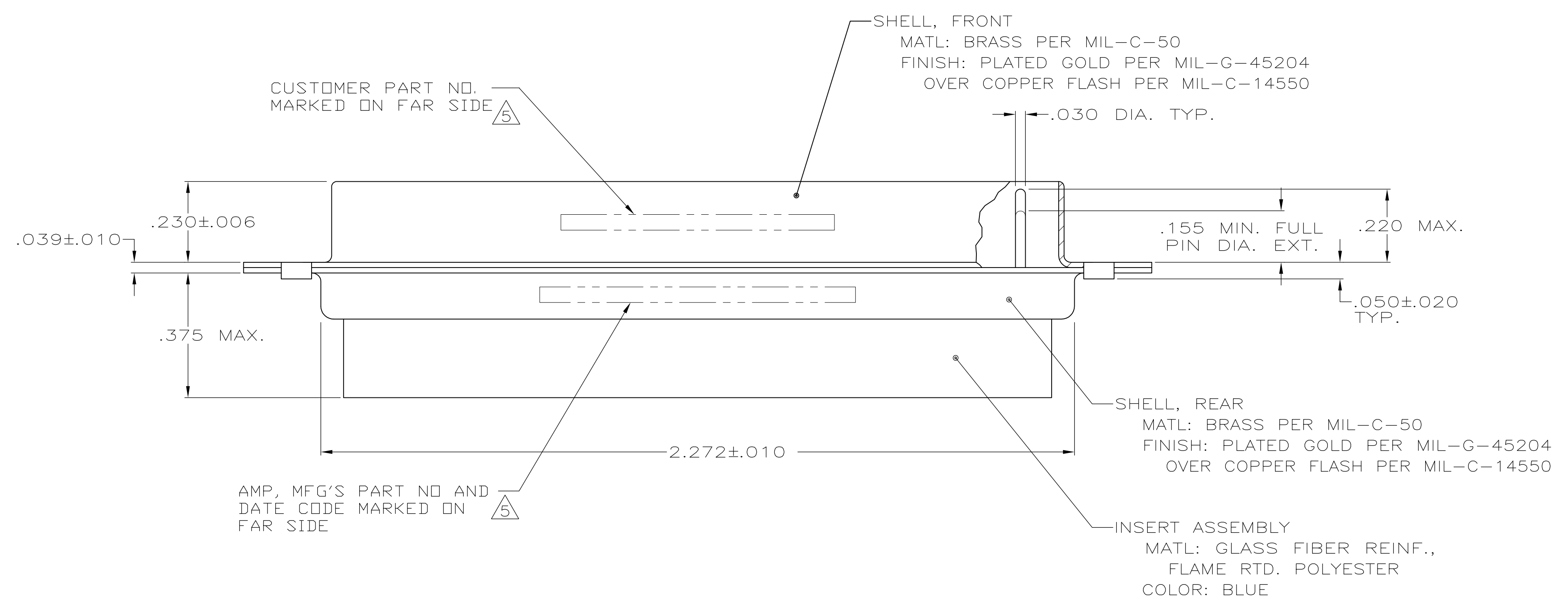


LOC		DIST		REVISIONS			
P	LTR	DESCRIPTION	DATE	DNW	APVD	CT	RL
L		REV PER ECO 11-017711	10-18-11	CT	RL		



- ⚠ THIS PLUG WILL MATE WITH ANY RECEPTACLE CONNECTOR WITH THE SAME INSERT ARRANGEMENT AS DEFINED BY MS18275-1.
- 2. MAXIMUM WIRE INSULATION TO BE USED WITH THIS PLUG IS .072 DIA.
- 3. BERYLLIUM COPPER RETENTION CLIPS (37) ARE INCLUDED IN INSERT ASSEMBLY.
- 4. CONNECTOR SUPPLIED WITHOUT CONTACTS; SHOWN FOR ILLUSTRATION ONLY.
- ⚠ FAR SIDE REFERS TO WIDE SIDE OF KEYSTONE.
- ⚠ THESE CONNECTORS ARE QUALIFIED TO GODDARD SPACE FLIGHT CENTER SPECIFICATION S-311-P-4.
- ⚠ UL/CSA DESIGNATION STAMPED IN THIS AREA, OPTIONAL.
- ⚠ RESTRICTED TO CAE ELECTRONICS ONLY.



OBSOLETE	⚠	.120	570513-9	206802-6	206802-6
	⚠	.120	311P409-4P-B-12	206802-2	206802-5
	⚠	.120	122137P37P	206802-4	206802-4
	⚠	.154	-	206802-3	206802-3
	⚠	.120	311P409-4P-B-12	206802-2	206802-2
	⚠	.154	311P409-4P-B-15	206802-1	206802-1
REMARKS		DIA A	MARKED CUSTOMER P/N	MARKED AMP P/N	TE P/N

THIS DRAWING IS A CONTROLLED DOCUMENT.

DIMENSIONS: INCHES	TOLERANCES UNLESS OTHERWISE SPECIFIED:	DIN T. WIEST 12-9-88	 TE Connectivity
0. PLC ± - 1. PLC ± - 2. PLC ± - 3. PLC ± .005 4. PLC ± - ANGLES ± -	0. PLC ± - 1. PLC ± - 2. PLC ± - 3. PLC ± .005 4. PLC ± - ANGLES ± -	CHK F. BALLEW 1-26-88 APVD F. BALLEW 1-26-88 PRODUCT SPEC APPLICATION SPEC WEIGHT CUSTOMER DRAWING	
MATERIAL: SEE CALLOUTS	FINISH: SEE CALLOUTS	SIZE: A1	NAME: PLUG FOR PIN CONTACTS SIZE 4, (37 POSITION) CAGE CODE: 00779 DRAWING NO: 206802 SCALE: 4:1 SHEET 1 OF 1 REV L