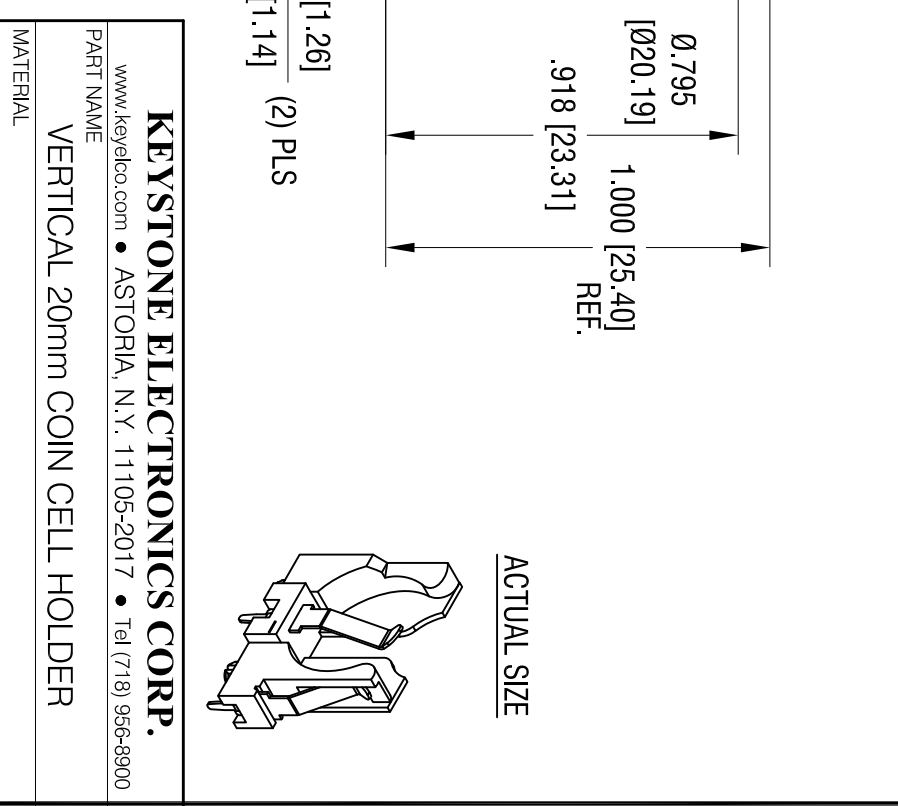
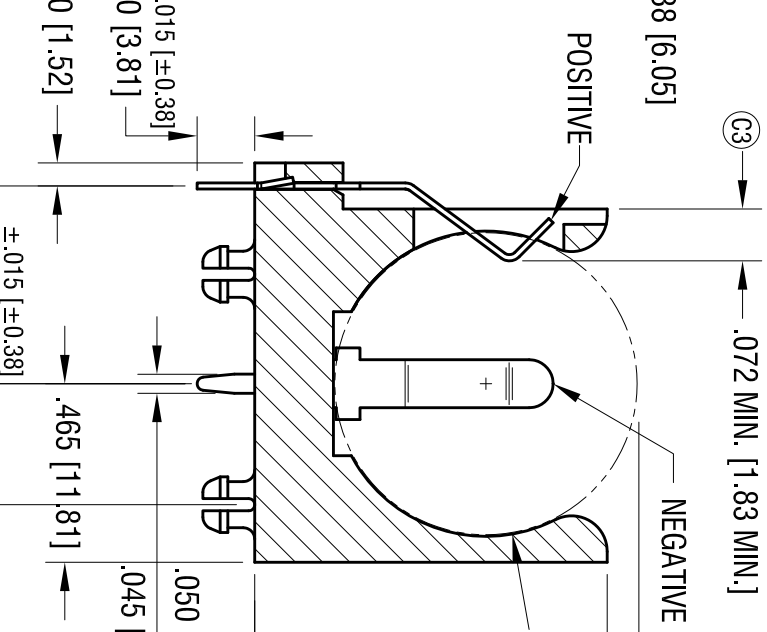
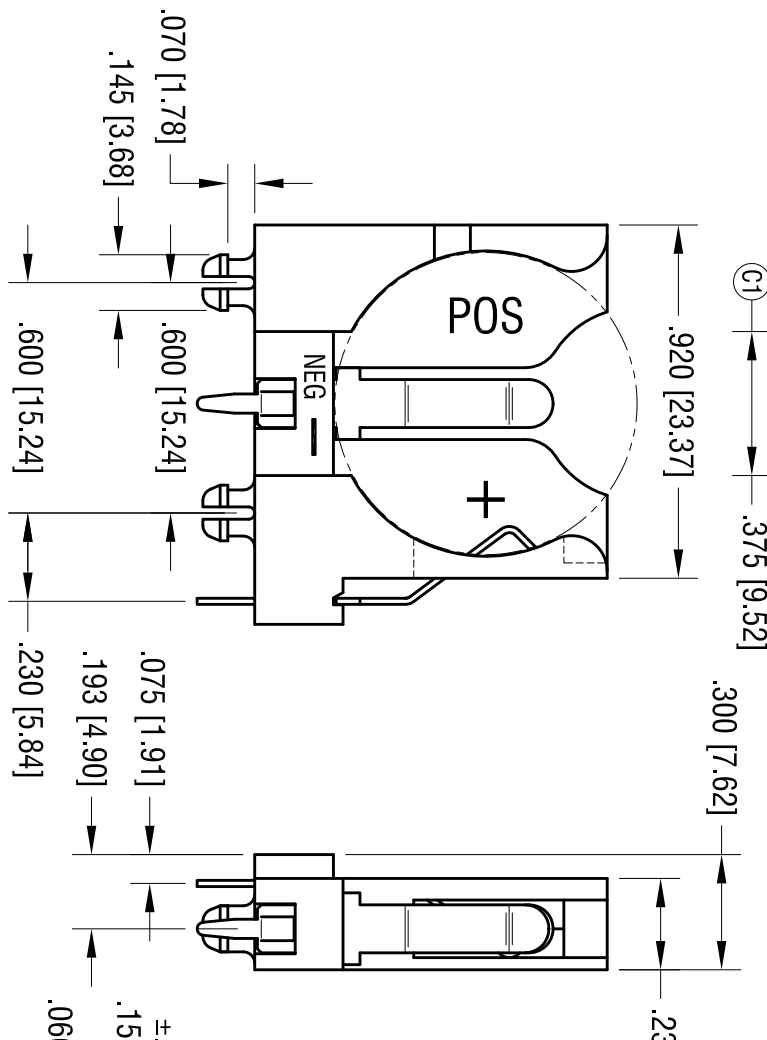


DATE	DESCRIPTION	REV.
7.6.98	CHANGE AS PER ECR 98-038	A
4.19.12	CHANGE AS PER ECN 10-051 ADD CONTACT LOCATION DIMENSIONS	B
8.02.13	CHANGE AS PER ECN 13-063 ADD C1, C2, C3 DIMENSIONS CONTACT MTL WAS SPRING STEEL	C



**NOTES:**

1. BASE:

MAT'L - PBT (UL 94V-0) BLACK

CONTACTS:

MAT'L - .016 [0.40] THK STAINLESS STEEL

FINISH - TIN NICKEL PLATE.

THIS DOCUMENT IS THE PROPERTY OF KEystone ELECTRONICS CORP. AND SHALL NOT BE REPRODUCED, DISTRIBUTED OR USED AS A BASIS FOR MANUFACTURE WITHOUT PRIOR WRITTEN PERMISSION FROM KEystone ELECTRONICS CORP.

**KEYSTONE ELECTRONICS CORP.**

www.keystonelco.com • ASTORIA, N.Y. 11105-2017 • Tel (718) 956-8900

PART NAME  
VERTICAL 20mm COIN CELL HOLDER

MATERIAL

AS NOTED

FINISH

AS NOTED

TOLERANCES	INCH	[MM]	CODE	DRN BY	DATE
DECIMAL	± .010	[± 0.25]	C	BOONE	5.6.98
ANGULAR	± 1°			LN	SCALE 2X
					DWG NO. 1065