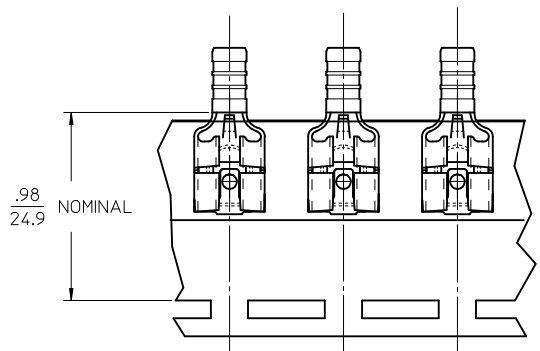
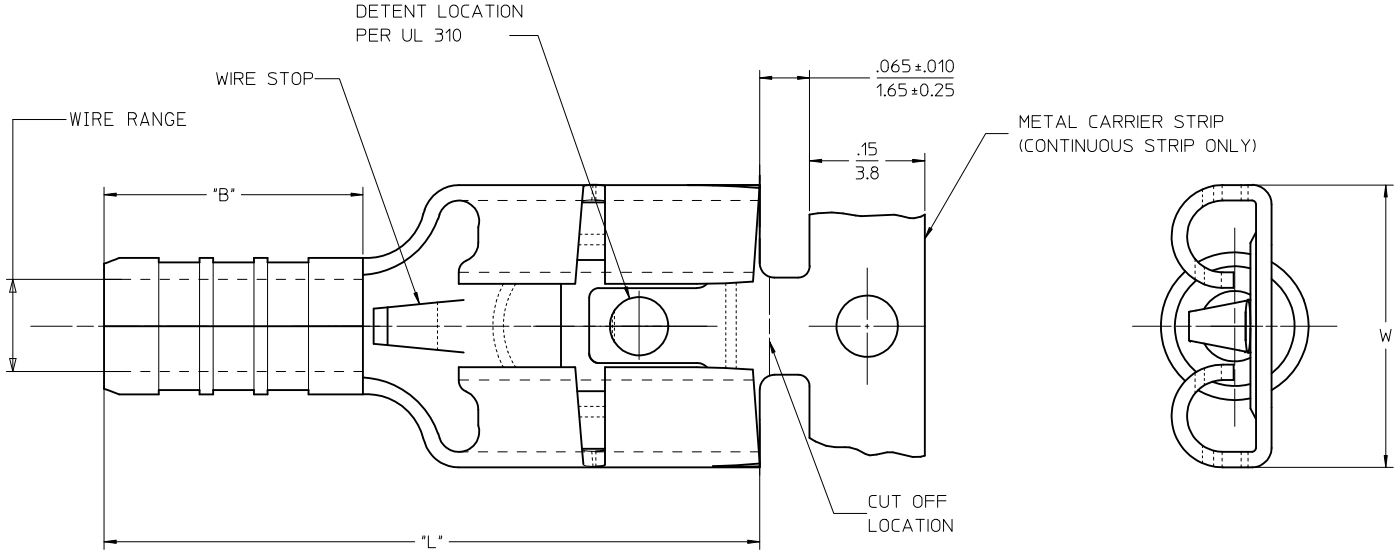


LOOSE PIECE		TAPE MOUNTED		SPECIFICATIONS						
MATERIAL NUMBER	ENGINEERING NUMBER	MATERIAL NUMBER	ENGINEERING NUMBER	WIRE RANGE AWG	MM ²	FITS MALE TAB SIZE	STOCK THICKNESS	"L" MAX.	"B" MAX.	"W" MAX.
192730007	AA-1140-LIF	192730009	AA-1140T-LIF	22-18/	0.25-1.5	.250x.032 / 6.35x0.81	.016 / 0.41	.67 / 17.0	.21 / 5.3	.31 / 7.9
192730008	BB-1141-LIF	192730010	BB-1141T-LIF	16-14/	1.0-2.5	.250x.032 / 6.35x0.81	.016 / 0.41	.67 / 17.0	.21 / 5.3	.31 / 7.9



PARTS ON TAPE

NOTES:

1. MATERIALS:
TERMINAL: MATTE-TIN PLATED BRASS
2. PRODUCT SPECIFICATION: PS-19902-012
3. PARTS ARE ROHS COMPLIANT

FERRULE DESCR. CONT P/N EC NO: MNA2009-0761 DRW: ETHRODAHL 2010/10/01 CHKD: JMACNEIL 2010/10/01 APPR: JMACNEIL 2011/01/06 REV A	QUALITY SYMBOLS ▽=0 ▽=0	GENERAL TOLERANCES (UNLESS SPECIFIED)		DIMENSION STYLE IN/MM	SCALE ---	DESIGN UNITS INCH	THIRD ANGLE PROJECTION
		4 PLACES ± --- ± ---	DRAWN BY ETHRODAHL	DATE 2010/10/01	TITLE QUIXON LOW INSERT FORCE UNINSULATED QUICK DISC KRIMPTITE 22-14 AWG		
		3 PLACES ± --- ± .005	CHECKED BY JMACNEIL	DATE 2010/10/01	MOLEX INCORPORATED		
		2 PLACES ± 0.13 ± .010 1 PLACE ± 0.25 ± .020 ANGULAR ± 1/2°	APPROVED BY JMACNEIL	DATE 2011/01/06	MATERIAL NO. SEE CHART	DOCUMENT NO. SD-19273-001	SHEET NO. 1 OF 1
DRAFT WHERE APPLICABLE MUST REMAIN WITHIN DIMENSIONS		THIS DRAWING CONTAINS INFORMATION THAT IS PROPRIETARY TO MOLEX INCORPORATED AND SHOULD NOT BE USED WITHOUT WRITTEN PERMISSION					