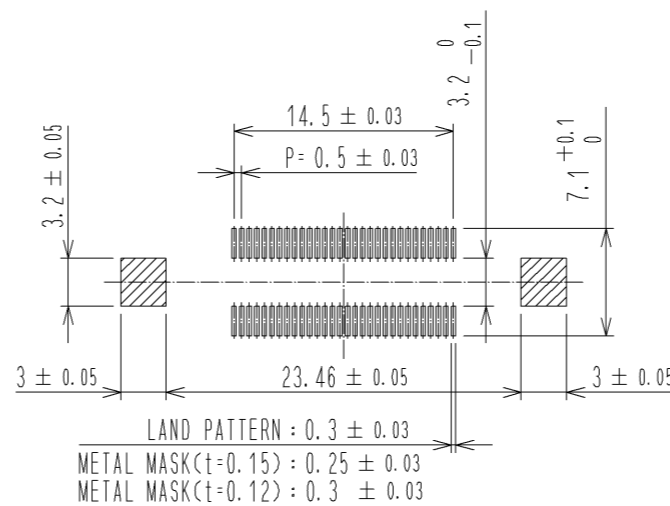
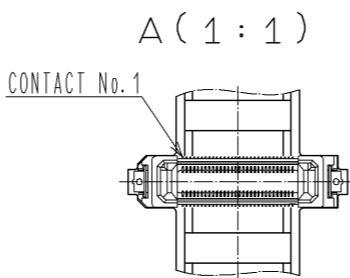
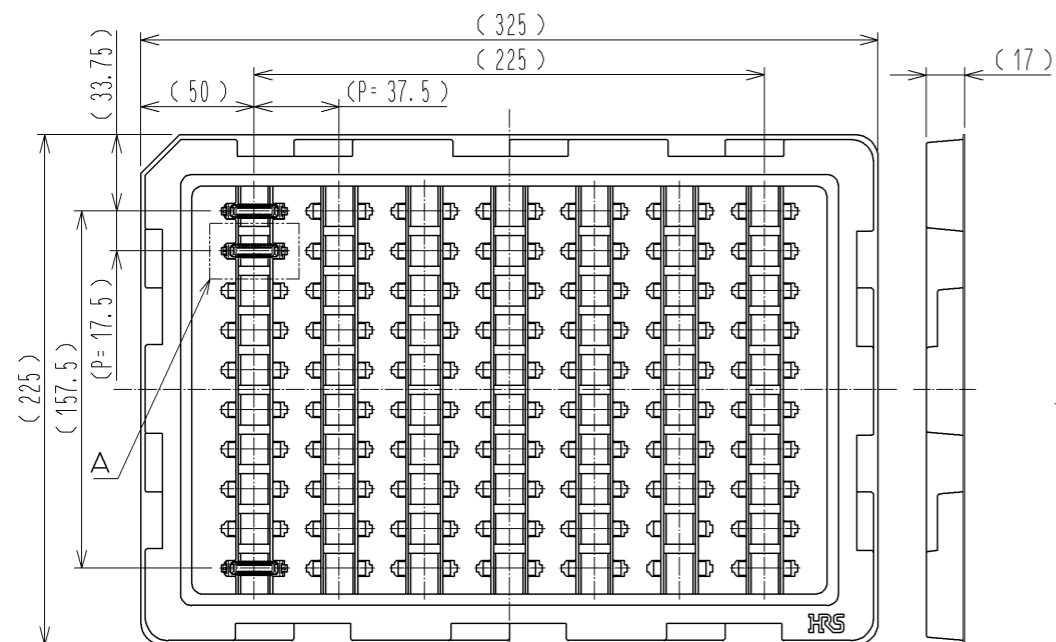
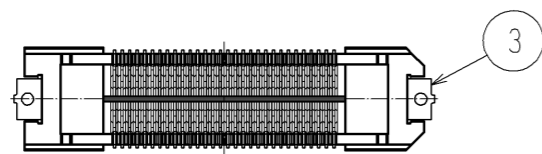
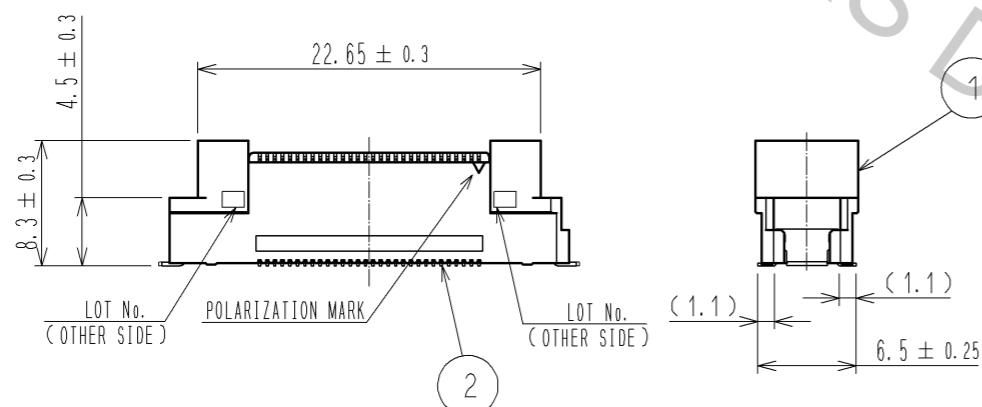
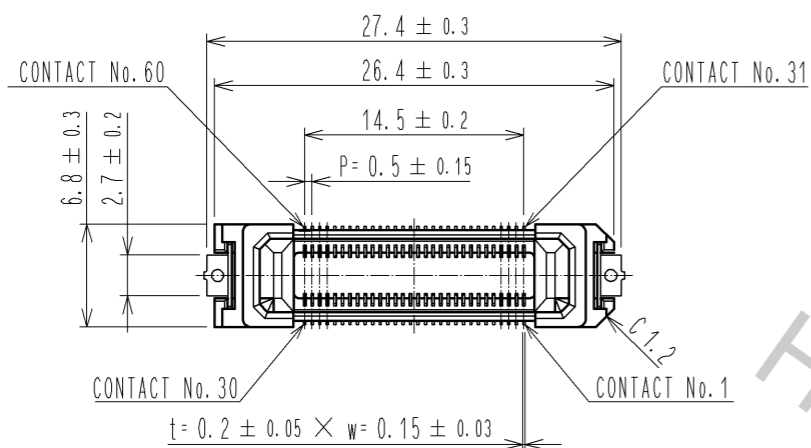
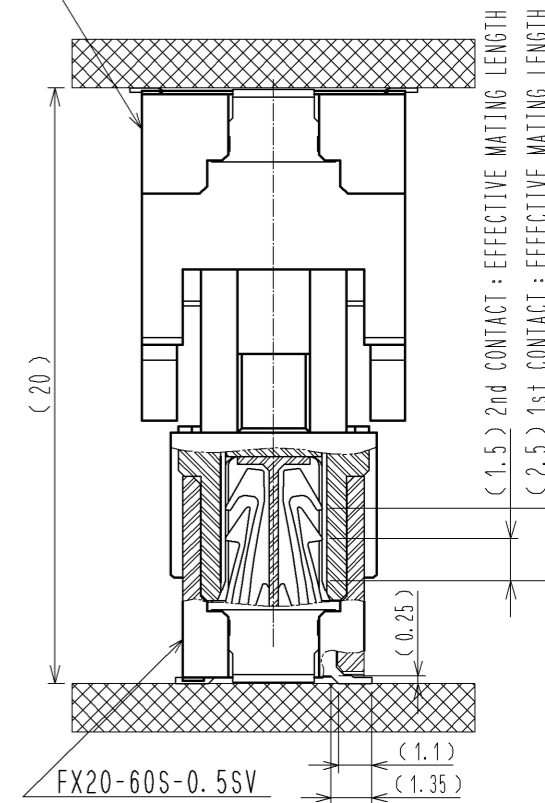
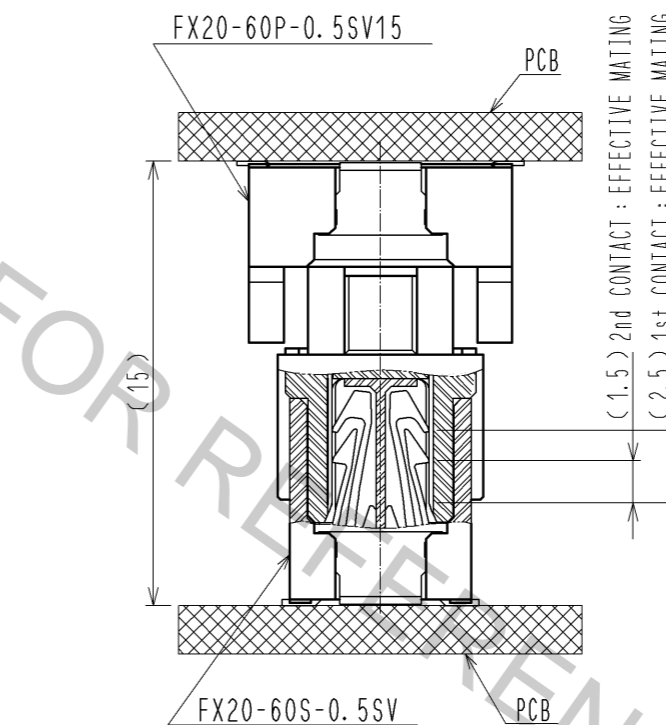


RECOMMENDED LAND PATTERN DIMENSION OF PCB



CROSS SECTION OF MATING(FREE)

CROSS SECTION OF MATING(FREE)



- NOTE 1 LEAD CO-PLANARITY IS 0.1mm MAX.
 2 THIS IS PACKAGED IN TRAY. (70pcs/TRAY)
 3 BLEMISH AND HIT MARK CAN BE OCCURED THROUGH OUT THE MANUFACTURING PROCESS WHICH DOESN' T AFFECT QUALITY LEVEL.
 4 PLEASE NOTE THAT EXCESSIVE WRENCHING FORCE COULD DAMAGE THIS CONNECTOR.
 PLEASE REFER TO THE GUIDELINE FOR DETAILED REGULATIONS OF THE MATING METHOD.
 5 THE DIMENSIONS IN PARENTHESES ARE FOR REFERENCES.

1	LCP	BLACK	UL94V-0	3	BRASS	TIN-PLATING $1 \mu m$			
2				2	PHOSPHOR BRONZE	CONTACT AREA: GOLD $0.1 \mu m$ LEAD AREA: GOLD $0.03 \mu m$ UNDER PLATING: NICKEL $1 \mu m$			
NO.	MATERIAL	FINISH	REMARKS	NO.	MATERIAL	FINISH	REMARKS		
UNITS		SCALE	COUNT	DESCRIPTION OF REVISIONS			DESIGNED	CHECKED	DATE
mm		2:1							
APPROVED : HS. OKAWA				12.03.06		DRAWING NO. EDC3-336339-00			
CHECKED : KI. HIROKAWA				12.03.06		PART NO. FX20-60S-0.5SV			
DESIGNED : KT. DOI				12.03.02		CODE NO. CL570-1102-8-00			
DRAWN : KT. DOI				12.03.02					