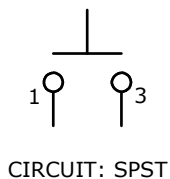
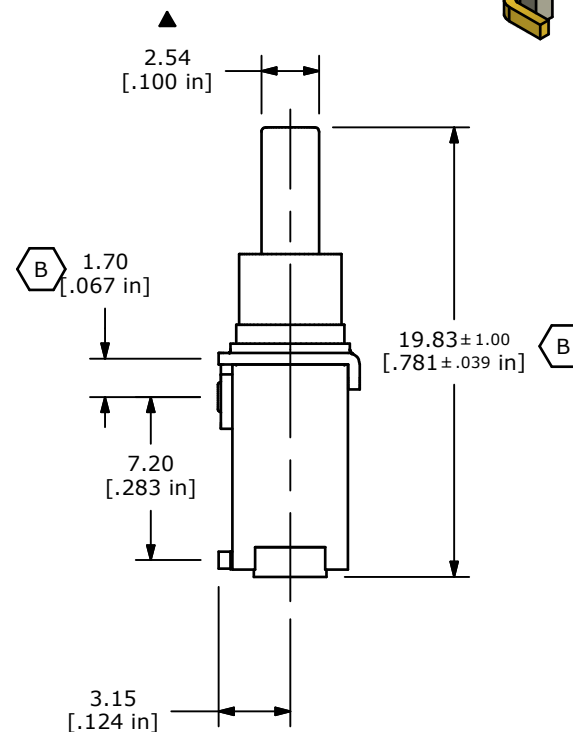
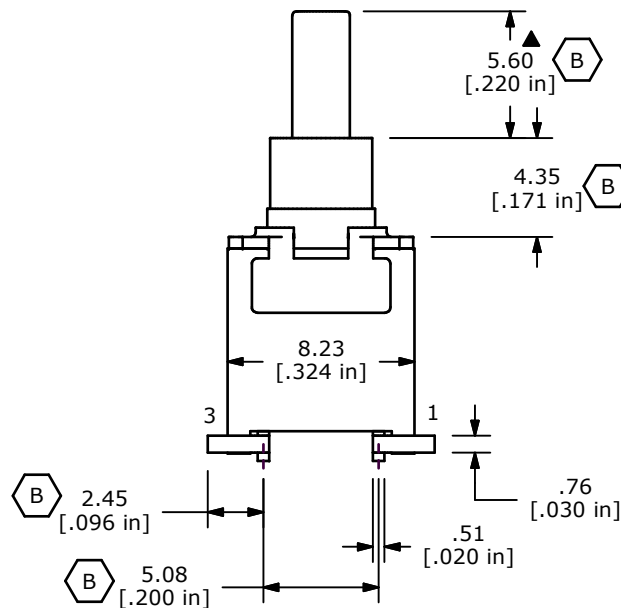


SWITCH FUNCTION	
POS. 1	POS. 2
OFF	(ON)
OPEN	1-3

(ON) = MOMENTARY



- NOTES:
- ALL DIMENSIONS IN MM [INCH].
 - TERMINAL NUMBERS FOR REF. ONLY.
 - GENERAL TOLERANCE: X.X±0.4
X.XX±0.25
 - PLATING MATERIAL: GOLD
 - RATING: 0.4VA @ 20V AC OR DC MAX
 - CONTACT RESISTANCE: 20 Milli-OHMS MAX.
 - MECHANICAL LIFE: 50,000 MAKE AND BREAK CYCLES AT FULL LOAD
 - INSULATION RESISTANCE: 1,000 MEGA-OHM MIN.
 - DIELECTRIC STRENGTH: 1,000 VRMS @ SEA LEVEL
 - OPERATING TEMPERATURE: -30°C TO 85°C
 - ▲ DENOTES CRITICAL PARAMETER
 - PACKAGED 500 PCS. / REEL
 - 2002/95/EC (ROHS) COMPLIANT.



TITLE 800BWSP9SM6RE

F	21447	REDRAW IN 3D, CORRECT DIMENSIONS	4/29/14	EBP
REV	PCR NO	DESCRIPTION	DATE	BY

SCALE	DATE 4/30/2014	DR EBP	DWG T833015	REV F
-------	----------------	--------	-------------	-------

THE INFORMATION CONTAINED IN THIS DOCUMENT IS PROPRIETARY TO E-SWITCH AND IS NOT TO BE COPIED OR TRANSFERRED