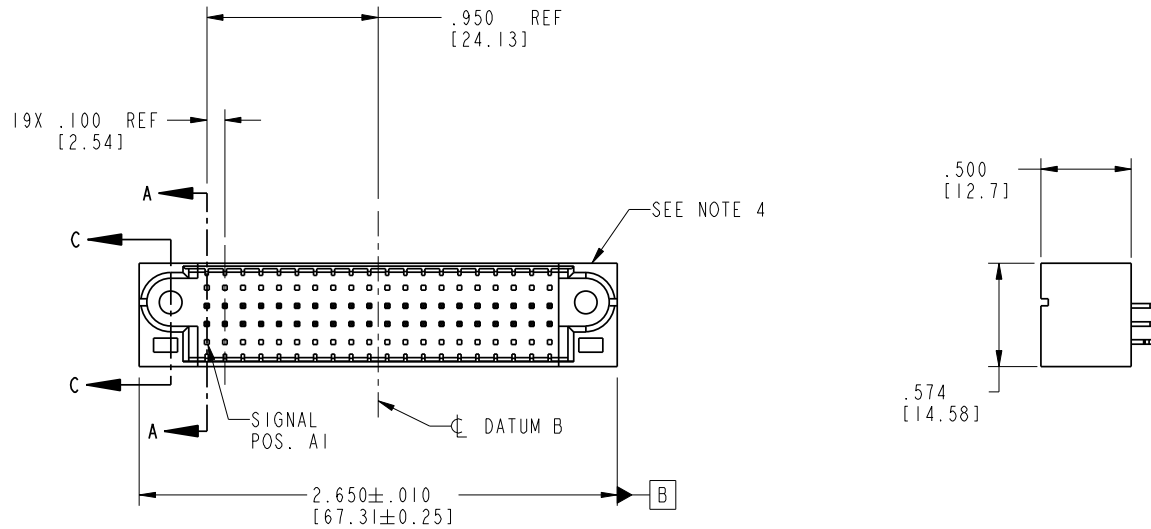


Tous droits strictement réservés. Reproduction ou communication à des tiers interdite sous quelque forme que ce soit sans autorisation écrite du propriétaire. Propriété de c FCI. Droits de reproduction FCI.

All rights strictly reserved. Reproduction or issue to third parties in any form without written authority from the proprietor. Property of FCI. Copyright FCI.



PRODUCT NO.	ROWS	SIGNAL																		E2
		E1	1	2	3	4	5	6	7	8	9	10	11	12	13	14	15	16	17	
51952-059-- NOTE 3	0 C B A																			



CODE	DIM "M" MATING LENGTH	CONTACT TYPE
E	.270 [6.86]	SIGNAL
HA	N/A [N/A]	HOLD-DOWN
X	OMITTED	OMITTED

mat'l code				SEE NOTE 2		tolerances unless otherwise specified		CUSTOMER		 www.fciconnect.com	
lir	ecn no.	dr	date	linear	.XX±.01/0.X±0.3	COPY		projection		title	
A	DG05-0029	SLUO	3/7/05		.XXX±.005/0.XX±0.13	INCH/MM				80 S	
B	DG05-0515	RYAN	12/21/05	angles	.XXX±.0020/0.XXX±0.051	scale		1:1		VERTICAL SOLDER HEADER	
				dr	SLUO 3/7/05	product family		PwrBlade		code	
				enrg	SLUO 3/7/05	size		A		213	
				chr	VICTOR LIN 3/7/05	dwg no		51952-059		sheet	
				appd	JOSEPH HSIA 3/7/05	code		22526		1 of 4	
sheet index	revision	B	B	B	B						
	sheet	1	2	3	4						

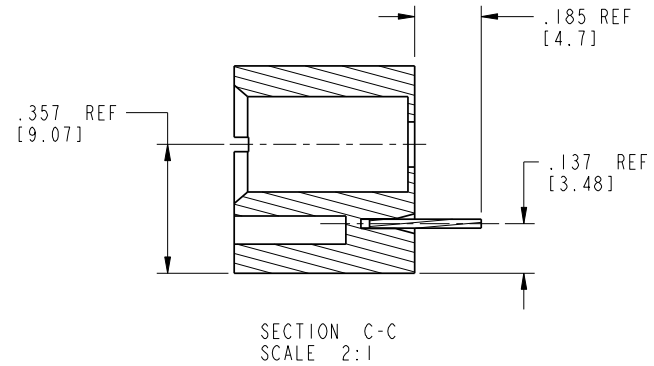
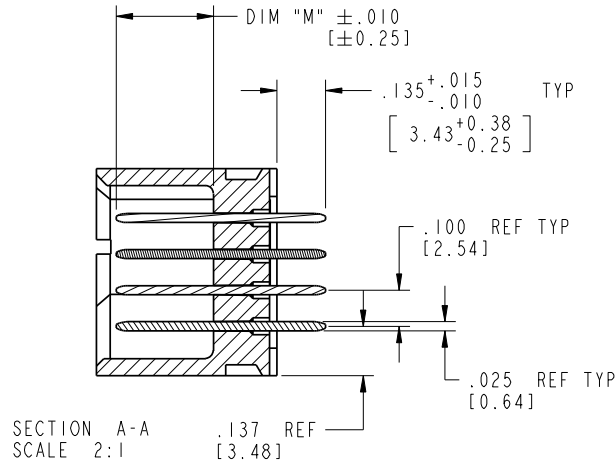
Pro/E

code code 22526

Tous droits strictement réservés. Reproduction ou communication à des tiers interdite sans quelque forme que ce soit sans autorisation écrite du propriétaire. Propriété de c FCI. Droits de reproduction FCI.

All rights strictly reserved. Reproduction or issue to third parties in any form without is not permitted without written authority from the proprietor. Property of FCI. Copyright FCI.

PRODUCT NUMBER
51952-059--
NOTE 3



mat'l code				SEE NOTE 2		tolerances unless otherwise specified		CUSTOMER		A FCI	
lir	ecn no.	dr	date	linear	.XX±.01/0.X±0.3	COPY		projection		www.fciconnect.com	
B					.XXX±.005/0.XX±0.13			title		80 S	
				angles	.XXX±.002/0.XXX±0.051			INCH/MM		VERTICAL SOLDER HEADER	
				dr	0°±2°	SLUO 3/7/05		product family		PwrBlade	
				enrg		SLUO 3/7/05		size		213	
				chr		VICTOR LIN 3/7/05		scale		A 51952-059	
				appd		JOSEPH HSIA 3/7/05		sheet		2 of 4	
sheet index		revision sheet									

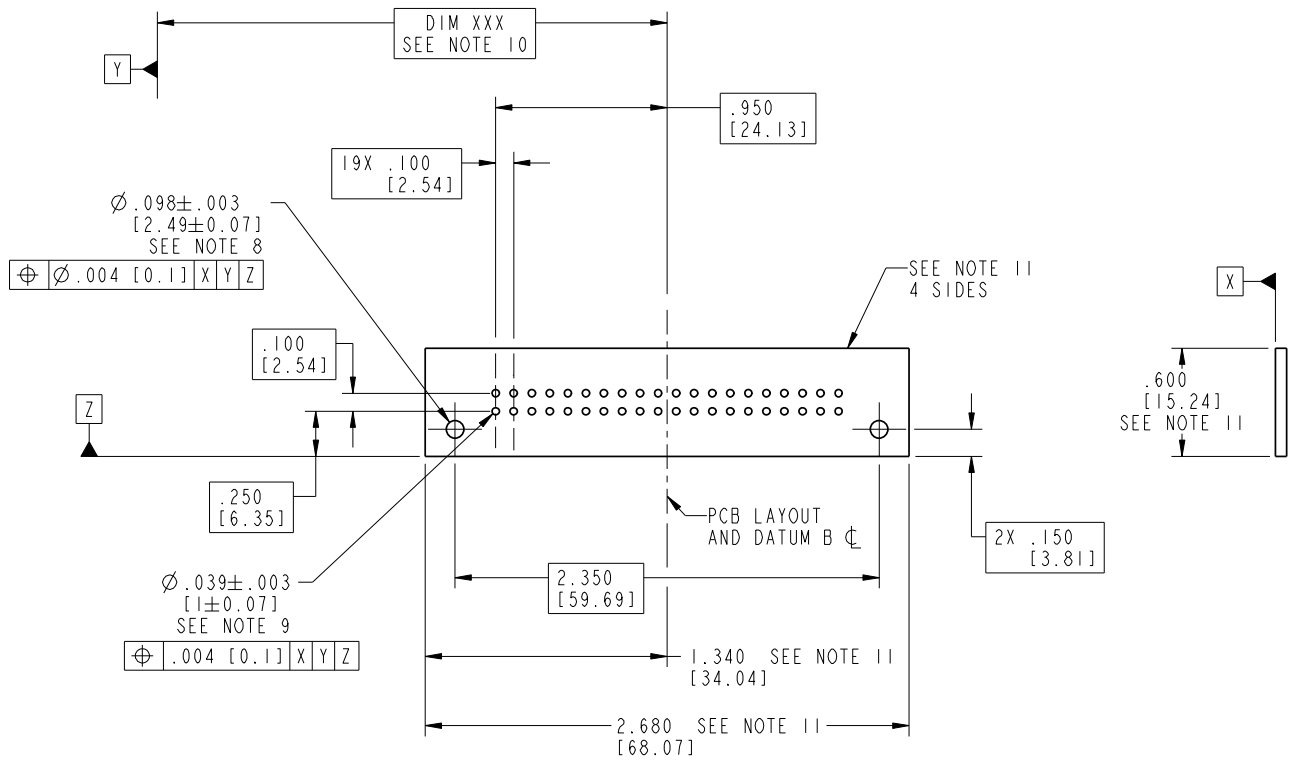
code code 22526

Pro/E

Tous droits strictement reserves. Reproduction ou communication a des tiers interdite sous quelque forme que ce soit sans autorisation écrite du propriétaire. Propriété de c FCI. Droits de reproduction FCI.

All rights strictly reserved. Reproduction or issue to third parties in any form without is not permitted without written authority from the proprietor. Property of FCI. Copyright FCI.

PRODUCT NUMBER
51952-059__
NOTE 3



mat'l code				SEE NOTE 2	tolerances unless otherwise specified		CUSTOMER		 www.fciconnect.com
lfr	ecn no.	dr	date	linear	.XX±.01/0.X±0.3	COPY		projection	
B					.XXX±.005/0.XX±0.13	INCH/MM		title	
				angles	.XXX±.002/0.XXX±0.051	scale		80 S	
				dr	0° ± 2°	1:1		VERTICAL SOLDER HEADER	
				enrg	SLUO 3/7/05	product family		PwrBlade	
				chr	VICTOR LIN 3/7/05	size		213	
				appd	JOSEPH HSIA 3/7/05	dwg no		sheet	
sheet index	revision sheet					A		3 of 4	

cage code 22526

Tous droits strictement réservés. Reproduction ou communication à des tiers interdite sans quelque forme que ce soit sans autorisation écrite du propriétaire. Propriété de c FCI. Droits de reproduction FCI.

A
FCI

All rights strictly reserved. Reproduction or issue to third parties in any form whatever is not permitted without written authority from the proprietor. Property of FCI. Copyright FCI.

A

B

1 | 2

3 |

4

PRODUCT NUMBER

51952-059__
NOTE 3

NOTES:

1. DIMENSIONS AND TOLERANCES ARE IN ACCORDANCE WITH ASME Y14.5M, 1994 UNLESS OTHERWISE SPECIFIED.

CONNECTOR NOTES:

② HOUSING MATERIAL: UL 94 V-0 GLASS FILLED HIGH-TEMP THERMOPLASTIC

SIGNAL PIN MATERIAL: COPPER ALLOY

3. PLATING:

51952-059: SIGNAL PIN: 30u"/0.76um Au OVER 50u"/1.27um Ni ON THE CONTACT AREA
AND 100u"/2.54um SnPb OVER 50u"/1.27um Ni ON THE TERMINATION AREA

51952-059LF: SIGNAL PIN: 30u"/0.76um Au OVER 50u"/1.27um Ni ON THE CONTACT AREA
AND 78u"/2.00um Sn OVER 50u"/1.27um Ni ON THE TERMINATION AREA

PART NUMBER 51952-059LF MEETS EUROPEAN UNION DIRECTIVE AND OTHER COUNTRY REGULATIONS AS DECCRIBED IN GS-22-008.

THE HOUSING WILL WITHSTAND EXPOSURE TO 260° PEAK TEMPERATURE FOR 10 SECONDS IN A WAVE SOLDER APPLICATION WITH A CIRCUIT BOARD.

④ MANUFACTURER'S NAME, P/N, AND DATE CODE TO APPEAR ON THIS SURFACE.

5. PRODUCT SPECIFICATION GS-12-149.
APPLICATION SPECIFICATION BUS-20-067.

6. PACKAGED IN TRAYS.

PCB NOTES:

7. ALL HOLE DIAMETERS ARE FINISHED HOLE SIZE.

8. MOUNTING HOLES, WHERE APPLICABLE, ARE UNPLATED.

⑨ $\varnothing .0453 \pm .0010$ [1.151 ± 0.025] DRILLED HOLES PLATED WITH

.0003 [0.008] MIN SnPb OVER .001 [0.03]
TO .003 [0.08] Cu PLATING TO ACHIEVE
 $\varnothing .040 \pm .003$ [1.02 ± .07] HOLE.

⑩ "DIM XXX" TO BE DETERMINED BY THE CUSTOMER.

⑪ CONNECTOR KEEP-OUT ZONE.

mat'l code				SEE NOTE 2		tolerances unless otherwise specified		CUSTOMER		A FCI		www.fciconnect.com	
lfr	ecn no.	dr	date	linear	.XX±.01/0.X±0.3		projection	COPY		title	80 S		
B					.XXX±.005/0.XX±0.13			INCH/MM			VERTICAL SOLDER HEADER		
				angles	.XXX±.002/0.XXX±0.051		scale	product family		size	PwrBlade		
				dr	0° ± 2°			code			213		
				enrg	SLUO	3/7/05	1:1	dwg no		sheet		4 of 4	
				chr	VICTOR LIN	3/7/05		51952-059					
				appd	JOSEPH HSIA	3/7/05							
sheet index	revision sheet												

A

B

1 | 2

Pro/E

3 |

cage code 22526

4