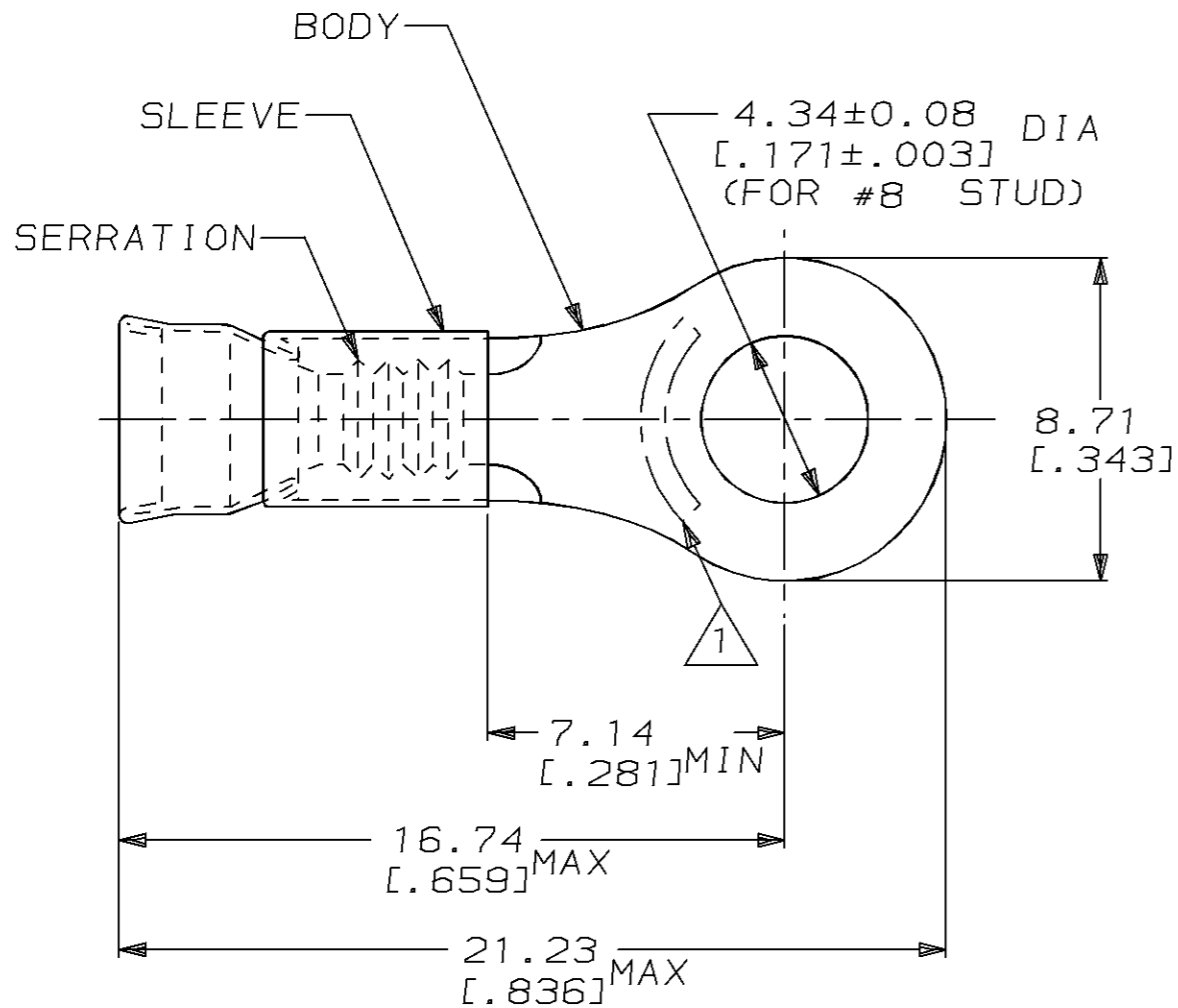


THIS DRAWING IS UNPUBLISHED. RELEASED FOR PUBLICATION ,19 .
 © COPYRIGHT 19 BY AMP INCORPORATED. ALL RIGHTS RESERVED.

LOC	DIST	REVISIONS					
		P	LTR	DESCRIPTION	DATE	DWN	APVD
G	14		J	REV / 0L20-0040-96	06JAN97	ME	TM



△ 1 STAMP AMP 16-14* APPROX AS SHOWN

- 2. WIRE INSUL DIA, 2.03-3.30 [0.080-.130]
- 3. TONGUE MATL THK, 0.79±0.05 [0.031±0.002]

1000	LOOSE PIECE	323160
QTY	PACKAGE TYPE	PART NO

AMP INCORPORATED CUSTOMER SERVICE SYSTEM		MAX RECOMMENDED OPERATING TEMPERATURE: 343°C [650°F]	THIS DRAWING IS A CONTROLLED DOCUMENT FOR AMP INCORPORATED. IT IS SUBJECT TO CHANGE AND THE CONTROLLING ENGINEERING ORGANIZATION SHOULD BE CONTACTED FOR THE LATEST REVISION.		DWN L OLMEDA 100CT94	AMP Incorporated Harrisburg, PA 17105-3608
FOR ADDITIONAL PRODUCT INFORMATION OR COPIES OF DRAWINGS AND TECHNICAL DOCUMENTS	PRODUCT INFORMATION CENTER 1-800-522-6752		VOLTAGE RATING: -	DIMENSIONS: mm [in]	TOLERANCES UNLESS OTHERWISE SPECIFIED:	
FOR APPLICATION TOOLING INFORMATION	TOOLING ASSISTANCE CENTER 1-800-722-1111	CIRCULAR MIL AREA: 1.04mm ² -2.62mm ² [2050-5180]		0 PLC ±-	APVD S BORTNER 100CT94	NAME TERMINAL, RING TONGUE, STRATO-THERM™, DIAMOND GRIP™, WIRE SIZE, 16-14 AWG
FOR ORDER ENTRY	1-800-526-5142	STRANDED WIRE		1 PLC ±-	2 PLC ±0.20 [0.008]	
				3 PLC ±-	APPLICATION SPEC	SIZE A3
				4 PLC ±-	WEIGHT	CAGE CODE 00779
				ANGLES ±-	CUSTOMER DRAWING	DRAWING NO C=323160
				MATERIAL BODY, CU PER ASTM B152	FINISH BODY, NP, QQ-N-290	SCALE 6:1
				SLEEVE, NI SIL PER ASTM B122		SHEET 1 OF 1
						REV J