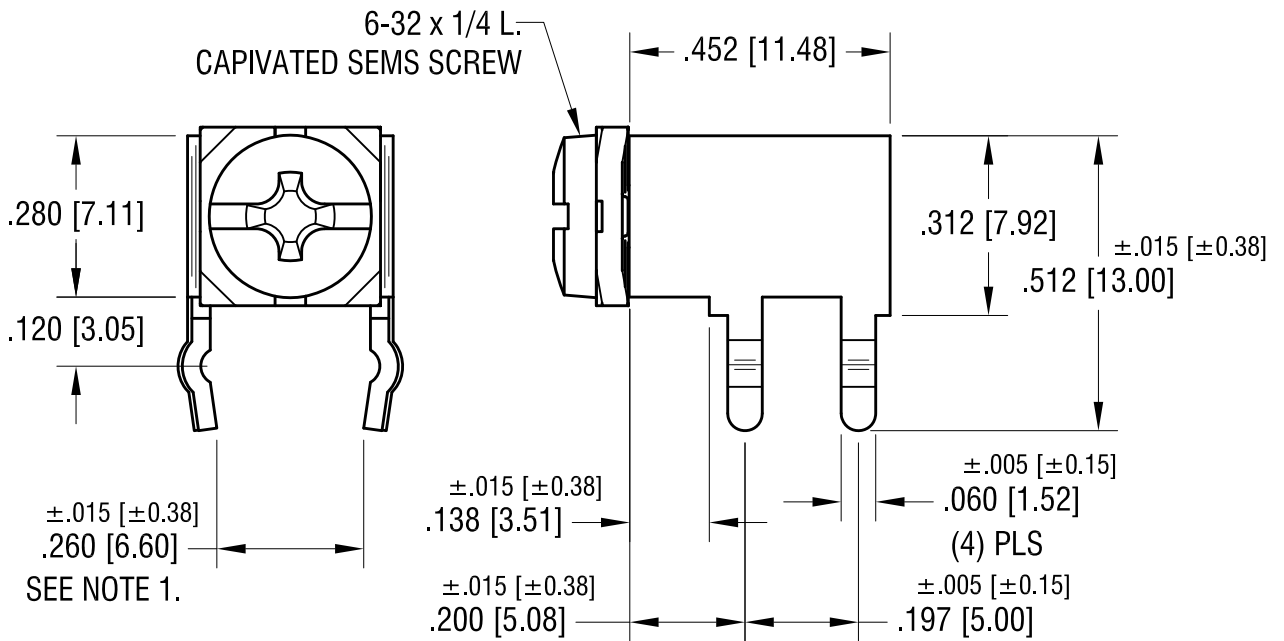
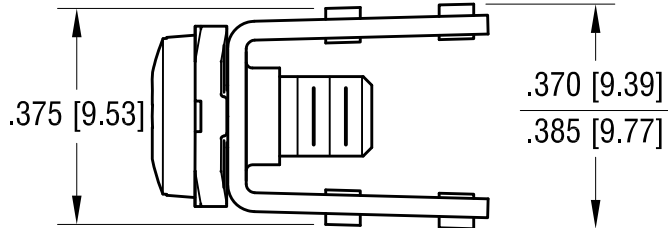
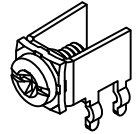
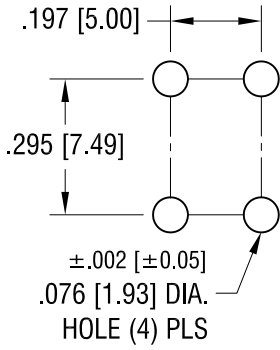


THIS DOCUMENT IS THE PROPERTY OF KEYSTONE ELECTRONICS CORP. AND SHALL NOT BE REPRODUCED, DISTRIBUTED OR USED AS A BASIS FOR MANUFACTURE WITHOUT PRIOR WRITTEN PERMISSION FROM KEYSTONE ELECTRONICS CORP.

MOUNTING DETAIL



NOTE:

1. .260 [6.60] ±.015 [±0.38] DIMENSION TO BE MEASURED AT END OF LEG, NOT AT SEATING PLANE.

2. TERMINAL:

MAT'L - .032 [0.81] TH'K BRASS, MATTE TIN PLATE
COMBINATION SEMS SCREW:
MAT'L - STEEL, NICKEL PLATE

| | | |
|----------|--------------------------|------|
| 10.21.11 | CHANGE AS PER ECN 11-136 | A |
| DATE | DESCRIPTION | REV. |

| | | | |
|---|---------------|-------------------|------------------|
| KEYSTONE ELECTRONICS CORP. | | | |
| www.keyelco.com • ASTORIA, N.Y. 11105-2017 • Tel (718) 956-8900 | | | |
| PART NAME | | PC SCREW TERMINAL | |
| MATERIAL | | AS NOTED | |
| FINISH | | DRN BY | DATE |
| AS NOTED | | NT | 6.23.10 |
| | | APP'D | SCALE |
| | | LN | 3X |
| TOLERANCES | INCH [MM] | CODE | DWG NO. |
| DECIMAL | ±.010 [±0.25] | C | 7692-SEMS |
| ANGULAR | ± 1° | | |
| UNLESS OTHERWISE SPECIFIED | | | |