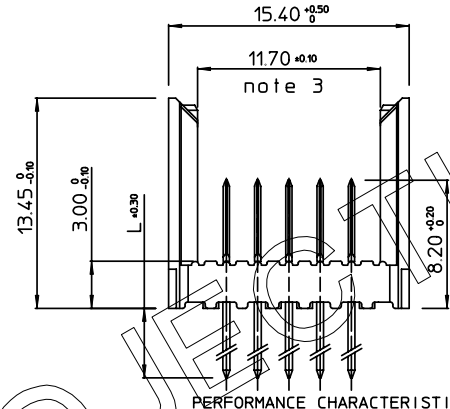
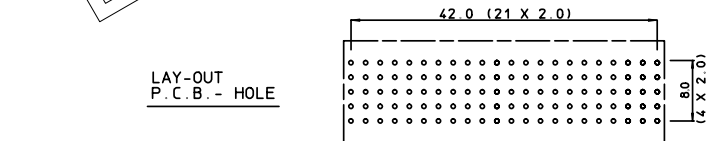
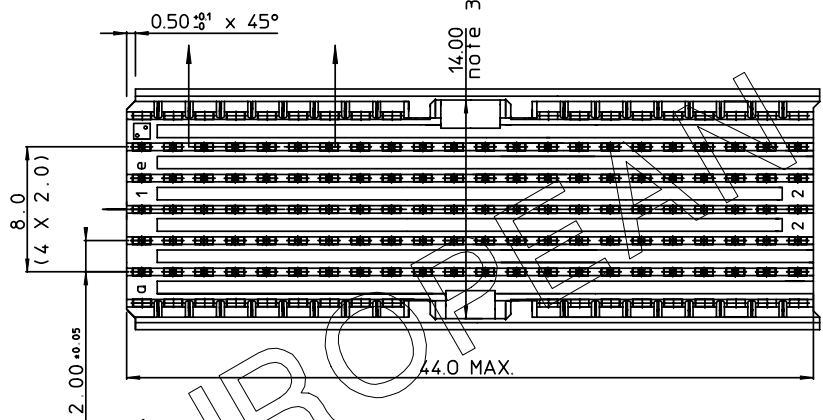
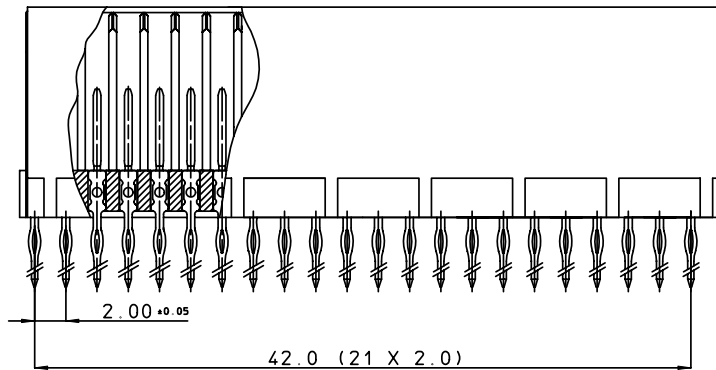


GEN. ST.	01	02	03	04	05	06	07	08	0D	50	60	70	80	90
INT. ST.	10	11	12	13	14	18	20	31	32	33	34	38	39	40

REV.	DATE	DESCRIPTION	BY	C'K'D'
A	2001-09-14	CONVERSION REVISION 02	KN	
B	2005-05-31	105-0082	ALEX B	BKP
C	2006-07-05	106-0096	VIVEK	BKP



PERFORMANCE CHARACTERISTICS

1.5 A AT 20°C (FULLY LOADED)
 CURRENT RATING : 1 A AT 70°C (FULLY LOADED)
 RATED VOLTAGE : 500 V AC (CONT / CONT)
 OPERATING TEMPERATURE : -55°C TO 125°C
 CONTACT RESISTANCE : 20 mΩ MAX
 INSERTION FORCE : 0.75 N MAX / CONT
 EXTRACTION FORCE : 0.15 N MIN / CONT
 INSULATION RESISTANCE : 10⁴ MΩ MIN

CAT. NR.	L ±0.3	DESCRIPTION
HM2P66PD5110----	3.7	SHORT PRESS-FIT
HM2P66PC5110----	4.5	SHORT PRESS-FIT
HM2P66PK5110----	13	REAR PLUG-UP: LEVEL 1
HM2P66PM5110----	14.5	REAR PLUG-UP: LEVEL 2
HM2P66PN5110----	16	REAR PLUG-UP: LEVEL 3
HM2P66PT5110----	13	WIRE WRAP

NOTES

- PERFORMANCE LEVEL INDICATION:
(DIGIT 15 & 16)(REF DWG No. BS,C ,201844,003)
- LEAD FREE INDICATOR: LF-LEAD FREE
(DIGIT 15 & 16)
- THIS PRODUCT IS CSA APPROVED.
THIS PRODUCT IS UL RECOGNIZED.
- MEASURED AT THE BOTTOM.
- THIS PRODUCT (LF) MEETS EUROPEAN UNION DIRECTIVES AND OTHER COUNTRY REGULATIONS AS DESCRIBED IN GS-22-008
- FOR PTH DETAILS REFER DRAWING : BS,A ,201572,001

MALE SIGNAL STRAIGHT PRESS-FIT-TO-BOARD CONNECTOR				
WITH GUIDING				
1DEC ±0.2 2DEC ±0.1 ANGLES ±1°	APPR.	DATE	SGN.	MILLIPACS 2 / TYPE AB (22 POS) / NO SHIELDING
	DRAFT	1999-05-06	N.Otto	CAT. No. HM2P66P#5110----
	CHECKED			
WE RESERVE THE RIGHT TO CHANGE DIMENSIONS OR REQUIREMENTS WITHOUT PRIOR NOTICE.	PROD. MGR			www.fciconnect.com
	PR. ENG MGR			
ALL DIMENSIONS IN MM	PR. MGT MGR			SCALE
	REFERENCES			
				BS,C ,201632,032
				DRAWING No. CUSTOMER DRAWING
				REVISION

THIS IS OUR EXCLUSIVE PROPERTY. IT IS NOT TO BE COPIED, REPRINTED OR DISCLOSED TO A THIRD PARTY. NOR USED FOR MANUFACTURING WITHOUT OUR WRITTEN CONSENT, AND HAS TO BE RETURNED TO US IN CASE OF NO USAGE.

DIT IS ONZE EIGENDOM EN MAG NOCH NAGEMAAKT, HERDRUKT, OVERGEMAAKT AAN DERDEN, NOCH VOOR FABRIKATIE GEBRUIKT WORDEN, ZONDER ONZE SCHRIFTELIJKE TOELATING. BIJ NIET GEBRUIK IS TERUGZENDING VERPLICHT.