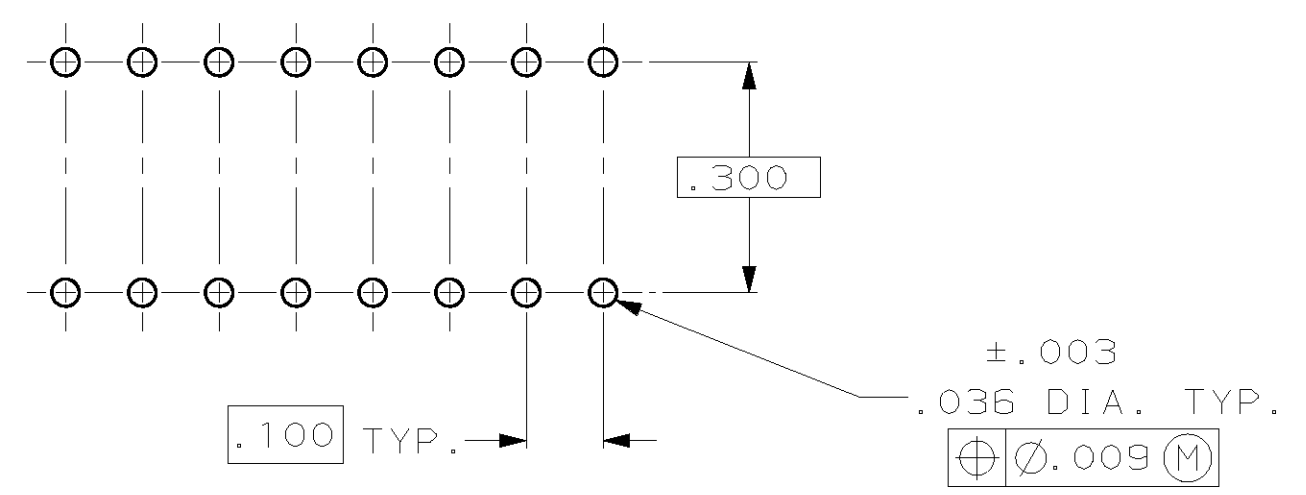
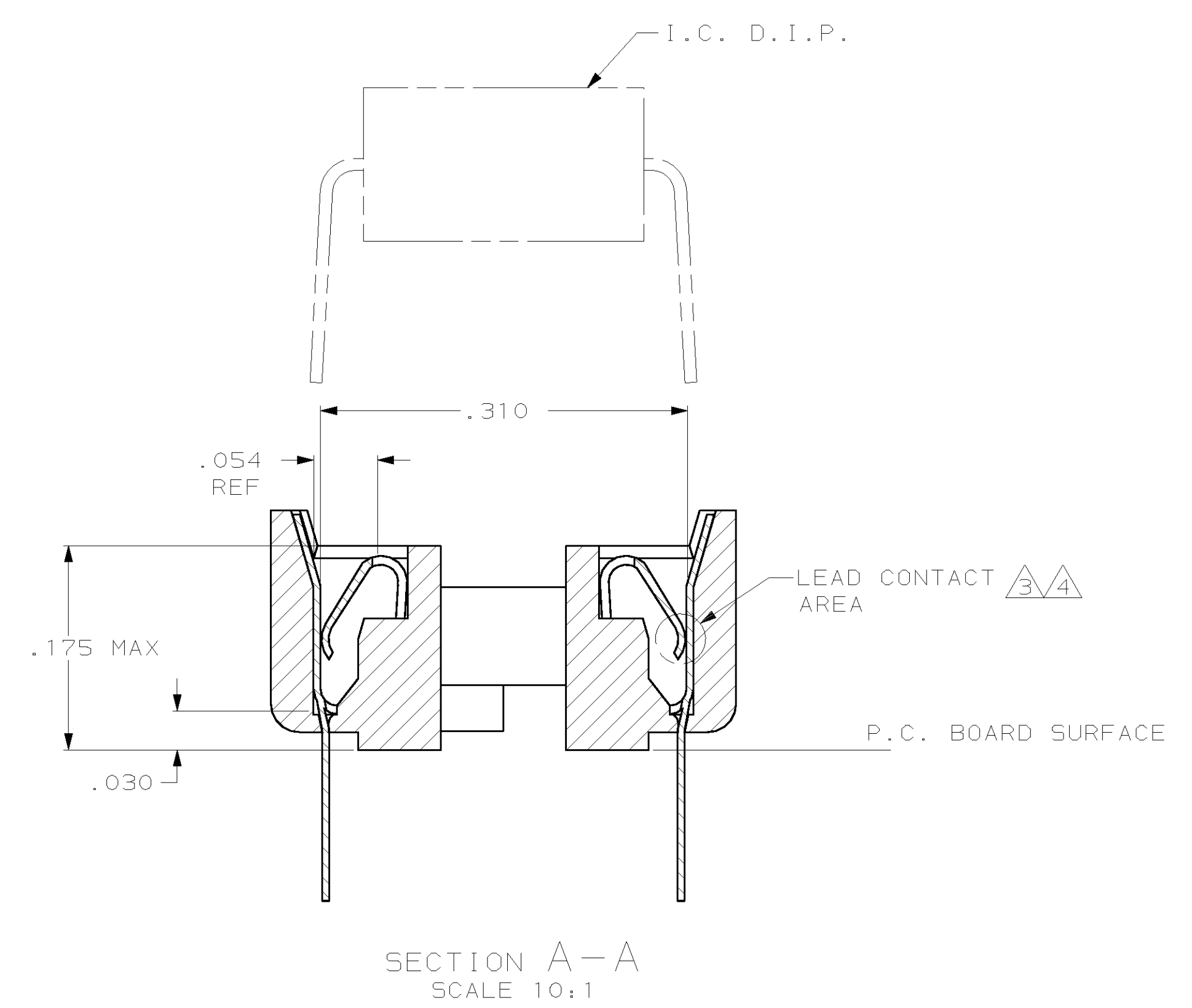
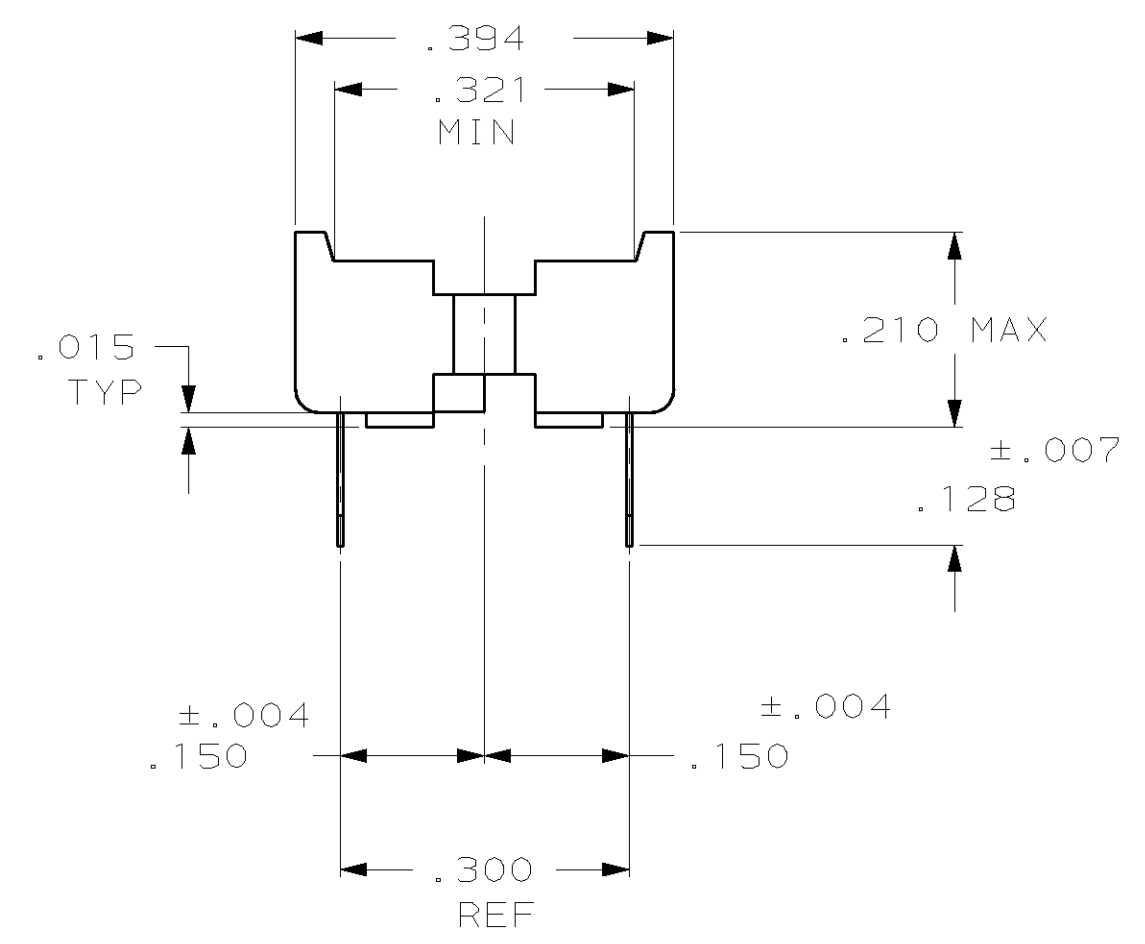
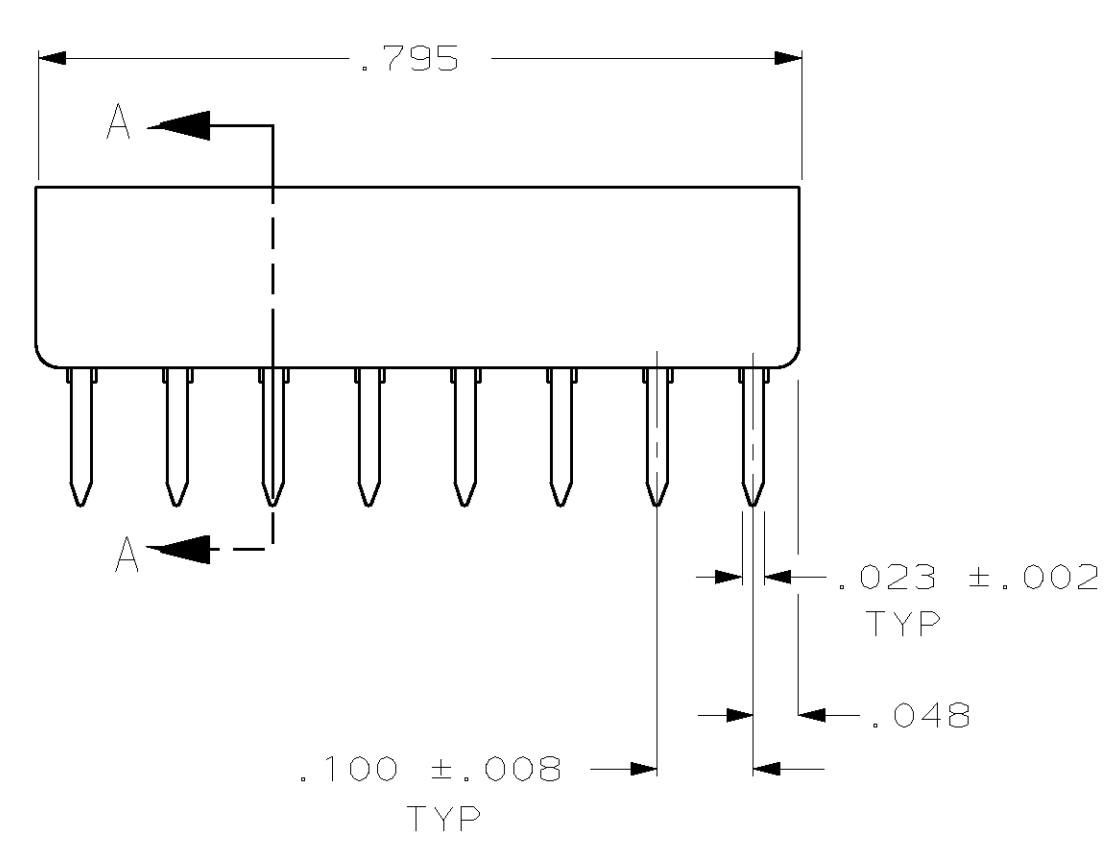
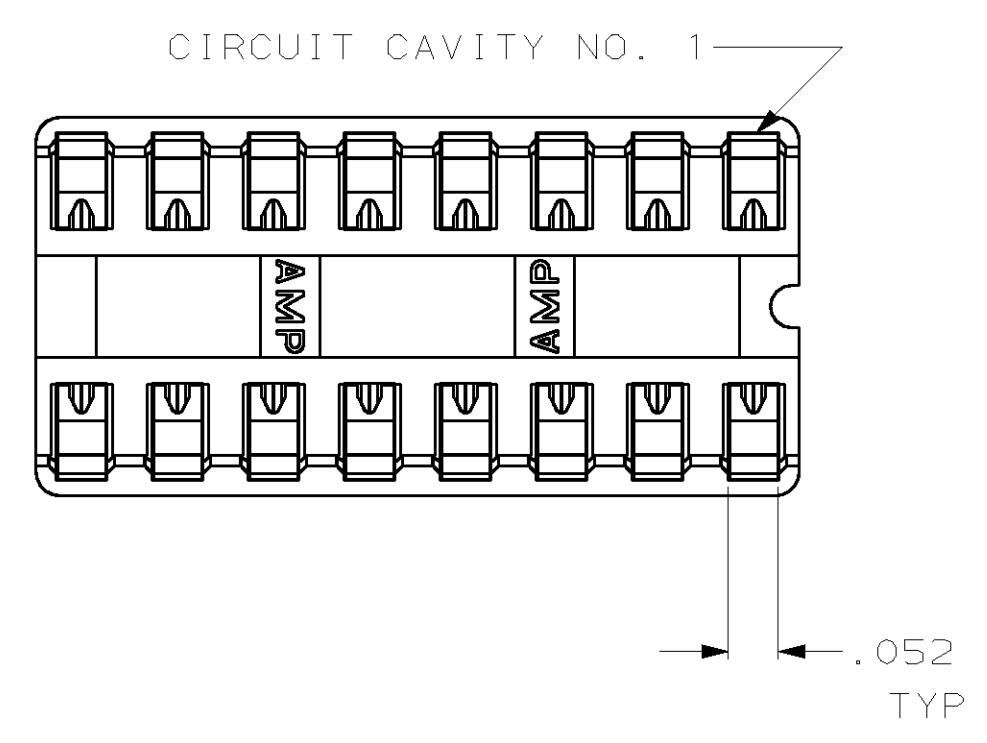


LOC	DIST	REV	DATE	BY	CHK	APPV
AD	0	AE	REV PER 063C-0104-01	25SEP01	RB	JO

- RECEPTACLE ACCEPTS A .008-.014 THICK I.C. LEAD.
- TUBE LOADED FOR AUTOMATIC INSERTION.
- TWO .000030 MIN THK. GOLD STRIPES IN CONTACT AREA WITH TIN-LEAD (93/7) ON CONTACT LEGS, BALANCE OF CONTACT NICKEL PLATED.
- TWO .000015 MIN THK. GOLD STRIPES IN CONTACT AREA WITH TIN-LEAD (93/7) ON CONTACT LEGS, BALANCE OF CONTACT NICKEL PLATED.
- SEE RESTRICTED CUSTOMER DRAWING 3-641600-1.



REVISION	DATE	BY	CHK	APPV
5				
4				
3				
2				
1				

CONTACT FINISH	CONTACT MAT'L	HOUSING MATERIAL	PART NO.
TINNED	PHOS.BRZ.	GLASS-FILLED THERMOPLASTIC, 94V-0, BLACK	2-641600-5
△	PHOS.BRZ.	GLASS-FILLED THERMOPLASTIC, 94V-0, BLACK	2-641600-4
TINNED	PHOS.BRZ.	GLASS-FILLED THERMOPLASTIC, 94V-0, BLACK	2-641600-3
△	BE.CU.	GLASS-FILLED THERMOPLASTIC, 94V-0, BLACK	2-641600-2
TINNED	BE.CU.	GLASS-FILLED THERMOPLASTIC, 94V-0, BLACK	2-641600-1

THIS DRAWING IS A CONTROLLED DOCUMENT.		DWN M. CYRUS 8-17-87	AMP Incorporated Harrisburg, PA 17105-3608
DIMENSIONS INCHES	TOLERANCES UNLESS OTHERWISE SPECIFIED.	CHK R. MILLER 8-31-87	AMP
0 PLC ±	1 PLC ±.005	APPV J. LAMBERT 9-4-87	NAME SOCKET ASSY, DIP, LADDER, 16 POS, DIPLOMATE™ DL
2 PLC ±	3 PLC ±.005	PRODUCT SPEC 108-1066	APPLICATION SPEC
4 PLC ±	ANGLES 40°-90°	114-1049	SIZE SCALE CODE DRAWING NO A1 00779 641600
SEE TABLE	SEE TABLE	WEIGHT	RESTRICTED TO
		CUSTOMER DRAWING	SCALE 5:1 SHEET 1 OF 1 REV AE