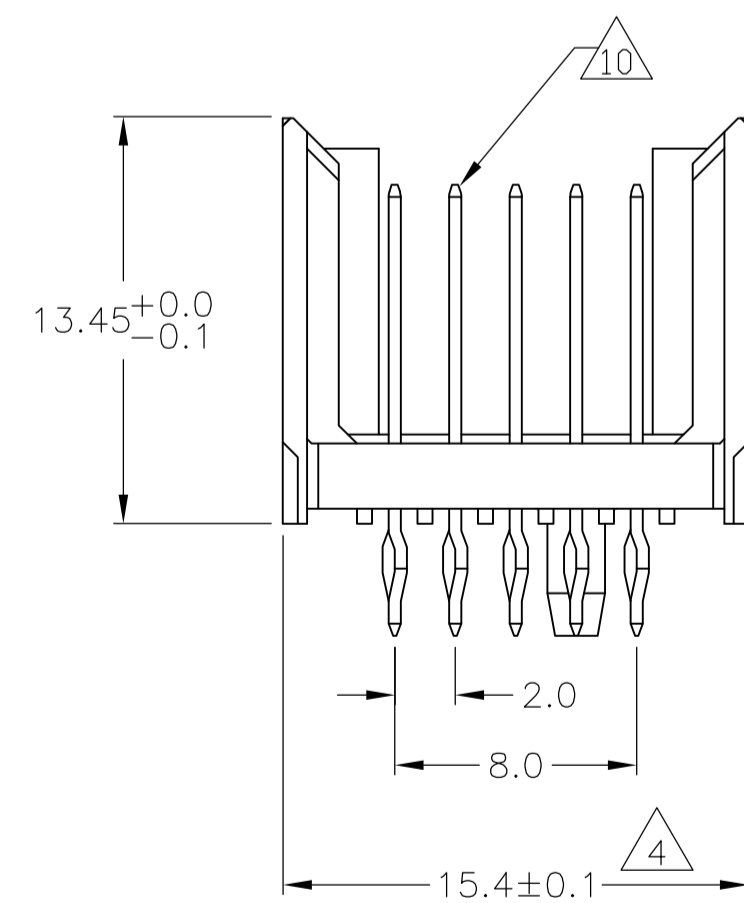
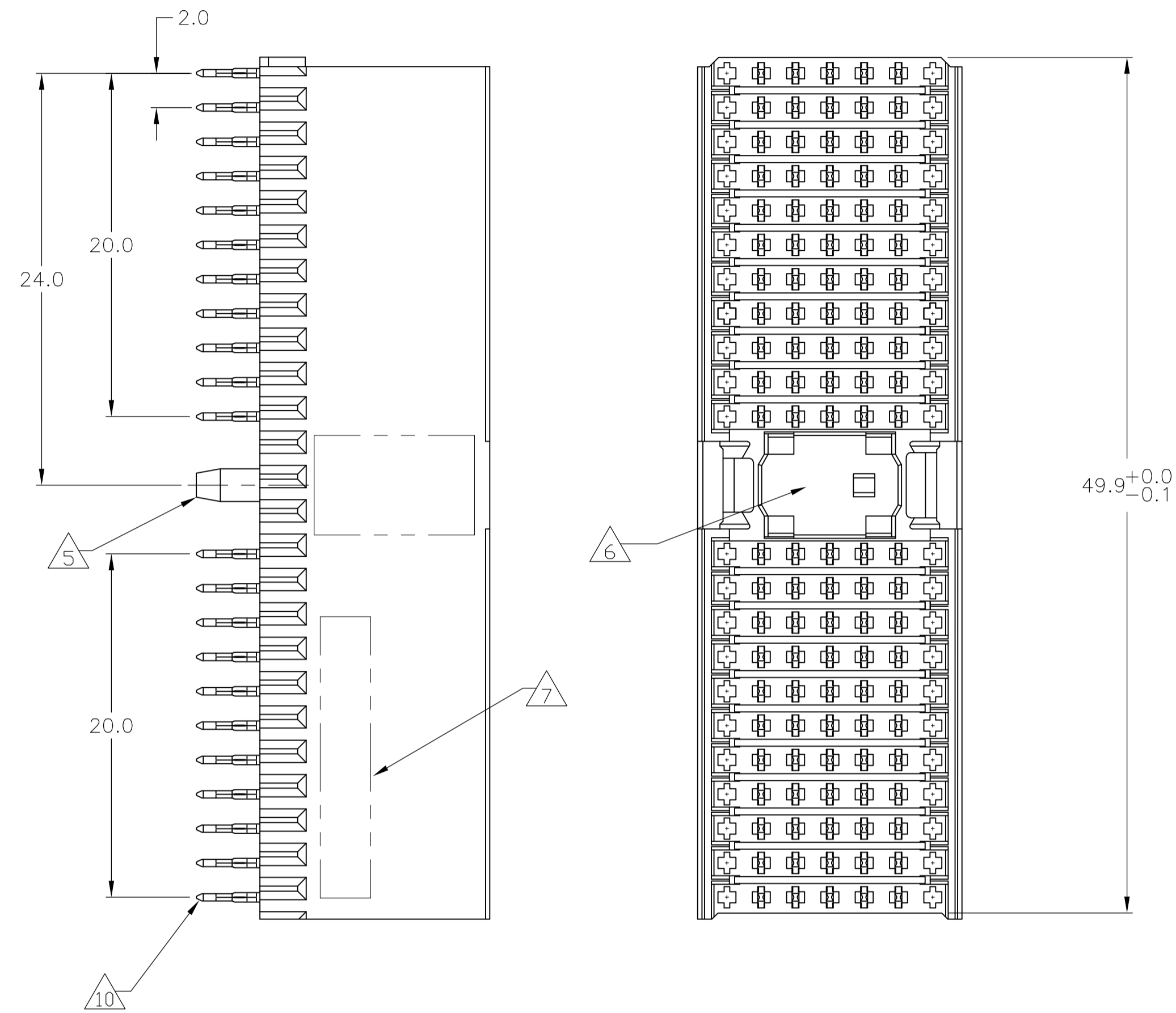
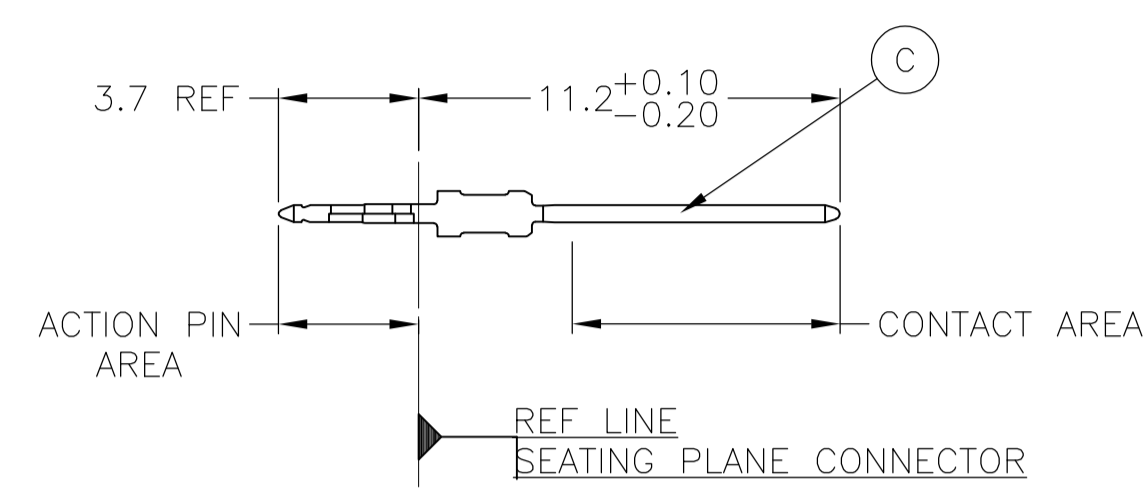


LOC		DIST		REVISIONS			
P	LTR	DESCRIPTION	DATE	DMN	APVD		
0		REVISED PER ECO-06-011368	16MAY06	JDP	GES		
A		ECR-10-019054	15SEP10	DP	MQW		

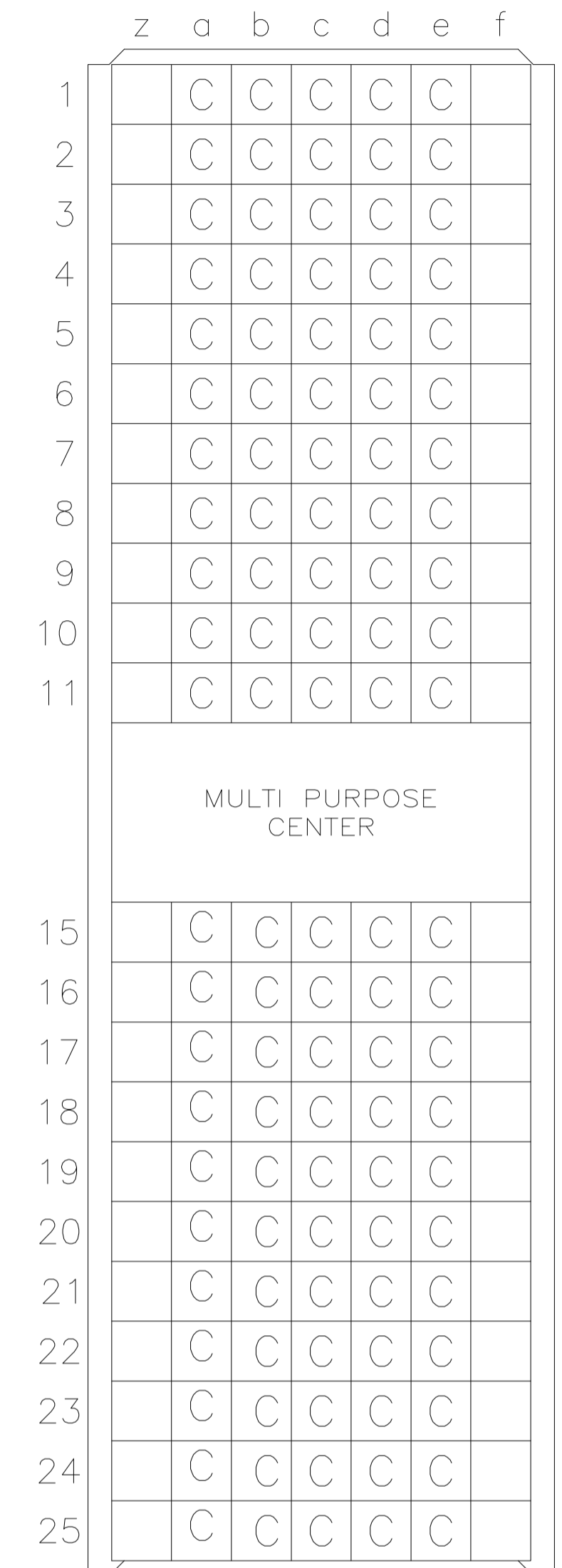
CONNECTOR ASSEMBLY EXAMPLARY LOADED



CONTACT DIMENSIONS SCALE 5:1



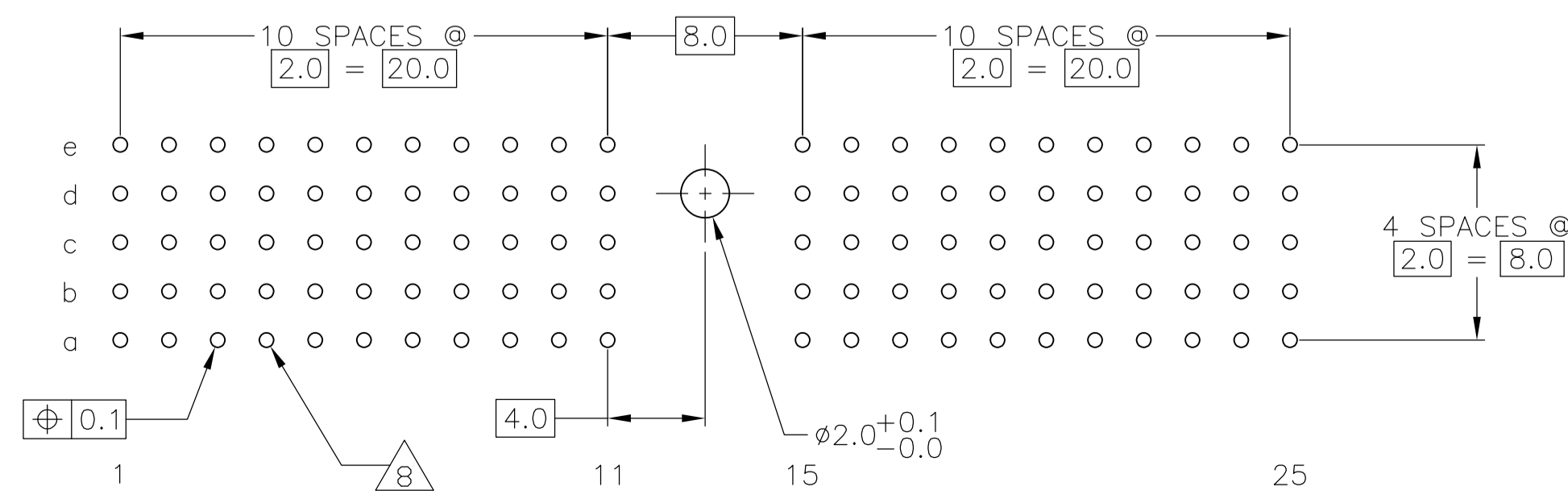
CONTACT LAYOUT



RECOMMENDED PCB-HOLE LAYOUT COMPONENT SIDE SHOWN

PLATED THRU HOLES PARAMETERS

REFERENCE APPLICATION SPECIFICATION



2 3	1645256-1
FINISH	PART NUMBER

THIS DRAWING IS A CONTROLLED DOCUMENT.		DIN J. POLIGNONE 20FEB06		Tyco Electronics Corporation Harrisburg, Pa 17105-3608	
DIMENSIONS: mm		CIR G. SKIPPER 20FEB06		NAME	
TOLERANCES UNLESS OTHERWISE SPECIFIED:		APVD G. SKIPPER 20FEB06		PRODUCT SPEC	
0-PLG ±		PRODUCT SPEC		108-19082	
1-PLG ±0.1		APPLICATION SPEC		114-19029	
2-PLG ±		WEIGHT		SIZE CAGE CODE DRAWING NO	
3-PLG ±		A1 00779		RESTRICTED TO	
4-PLG ±		CUSTOMER DRAWING		SCALE 4:1 SHEET 1 OF 2 REV A	
ANGLES		SEE TABLE			

LOC		DIST		REVISIONS				
P	LTR	DESCRIPTION	DATE	DN	APVO			
AD	00	SEE SHEET 1	-	-	-			

- 1 MATERIAL:
CONTACT: PHOSPHOR BRONZE.
HOUSING: GLASS-FILLED POLYESTER.
- 2 GENERAL PLATING SPECIFICATION: UNDERPLATING
(ENTIRE CONTACT): 1.27μm MIN NICKEL AND ACTION
PIN: 0.5μm MIN TIN/LEAD.
FOR PLATING OF MATING SURFACES SEE APPLICABLE
SPECIFICATION REFERENCE FOR EACH DASH NUMBER.
- 3 CONFORMS TO ALL TESTING ACCORDING TO IEC 61076-4-101
PERFORMANCE LEVEL 2.
- 4 TO BE MEASURED AT BOTTOM OF SHROUD.
- 5 POLARIZATION FEATURE.
- 6 AREA RESERVED FOR KEYING PART (BASIC P/N 100525).
- 7 CONNECTOR MARKED WITH PART NUMBER AND DATE CODE.
ADDITIONAL CHARACTERS OR MARKINGS, AS WELL AS THE LOCATION OF THE MARKINGS,
MAY BE ADDED FOR TRACEABILITY BASED UPON MANUFACTURERS DISCRETION.
- 8 PLATED-THROUGH HOLES AT 2x2mm SQUARE GRID
PATTERN DEFINED BY CONTACT LAYOUT.
- 9 FOR ACTUAL PIN LOADING SEE "CONTACT LAYOUT".
- 10 FOR ACTUAL PIN DIMENSIONS SEE "CONTACT DIMENSIONS".

THIS DRAWING IS A CONTROLLED DOCUMENT.		DIN J. POLIGNONE 20FEB08		Tyco Electronics Corporation Harrisburg, Pa 17105-3608	
DIMENSIONS: mm		TOLERANCES UNLESS OTHERWISE SPECIFIED: ±0.2		NAME	
		APVO G. SKIPPER 20FEB08 PRODUCT SPEC 108-19082 APPLICATION SPEC 114-19029		MALE ASSEMBLY, Z-PACK 2mm HM, TYPE A	
MATERIAL SEE SHEET 1		FINISH SEE SHEET 1		RESTRICTED TO	
		WEIGHT -		SIZE A1	
		CAGE CODE 00779		DRAWING NO 1645256	
		CUSTOMER DRAWING		SCALE 4:1 SHEET 2 OF 2 REV A	