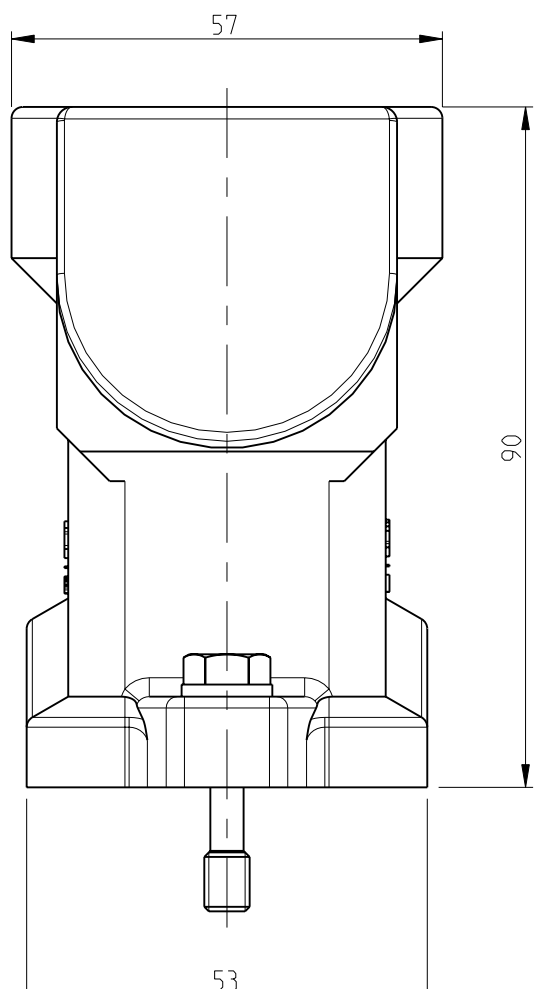
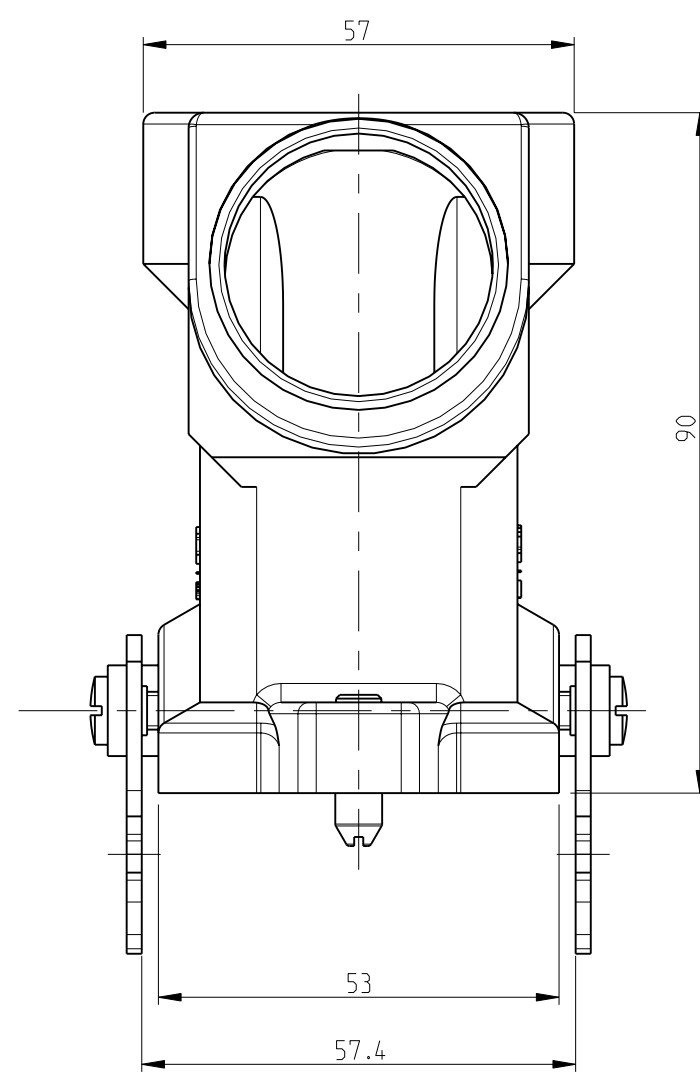
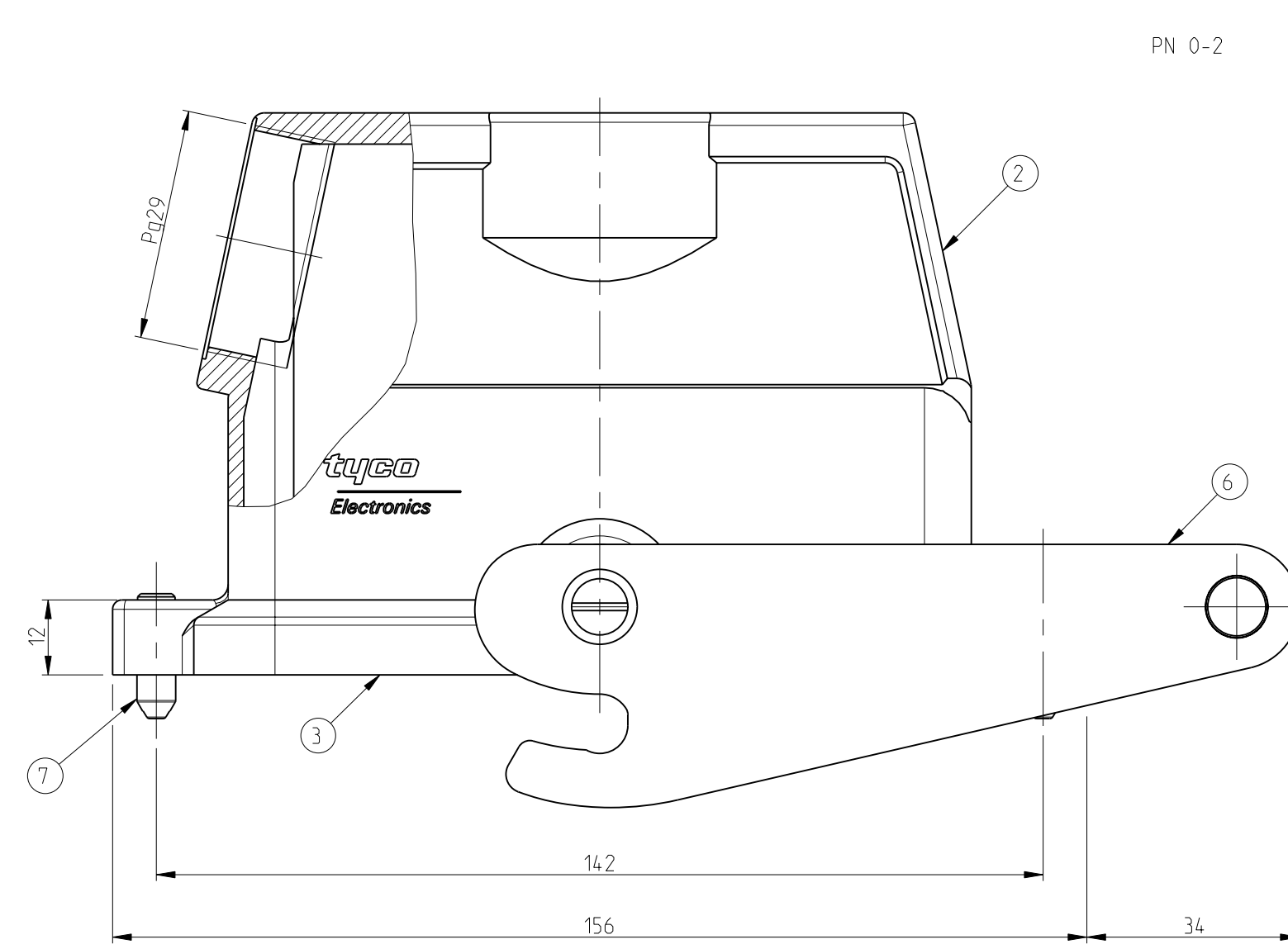
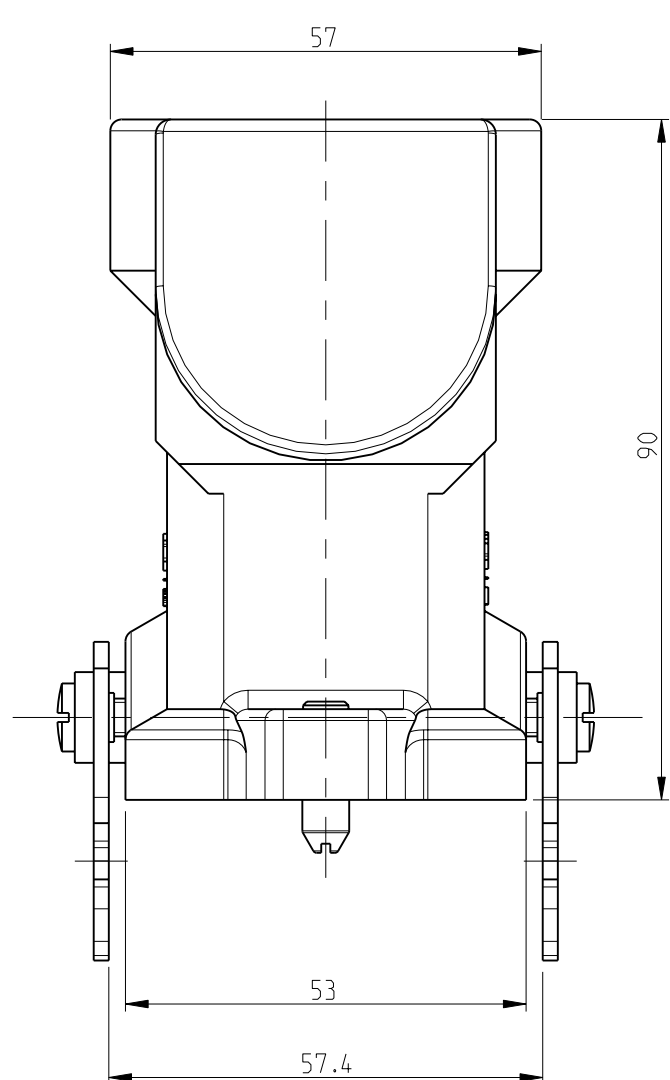
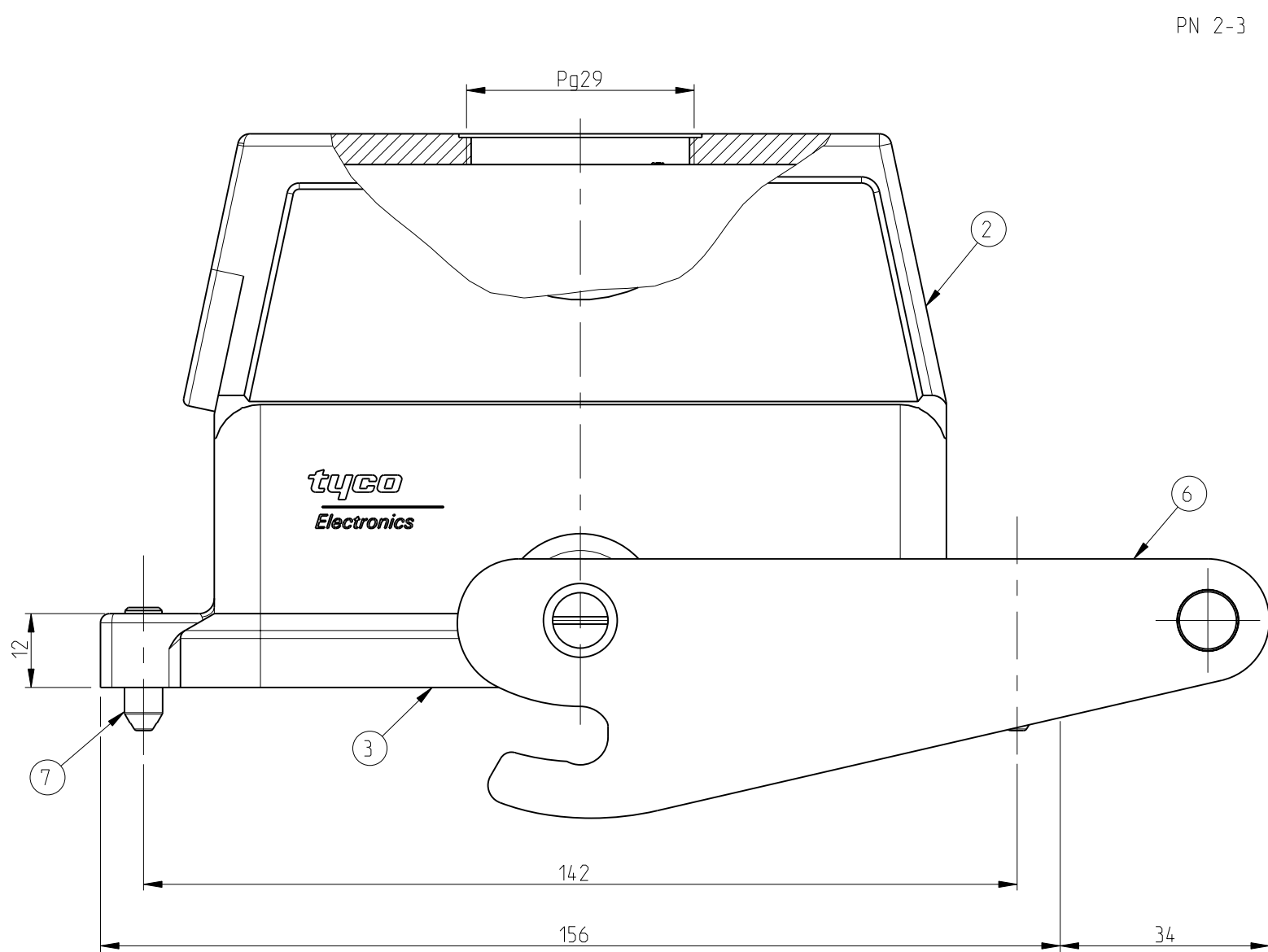
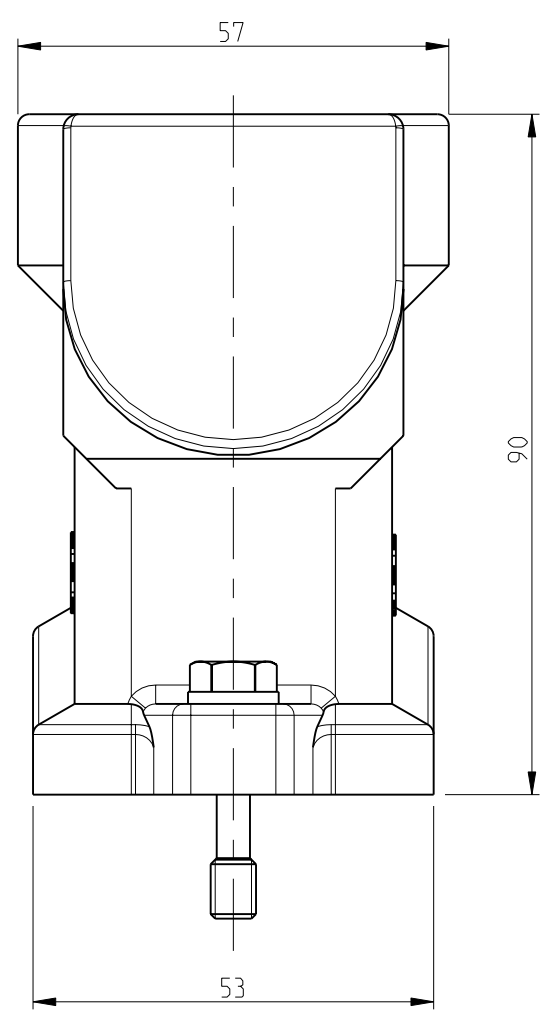
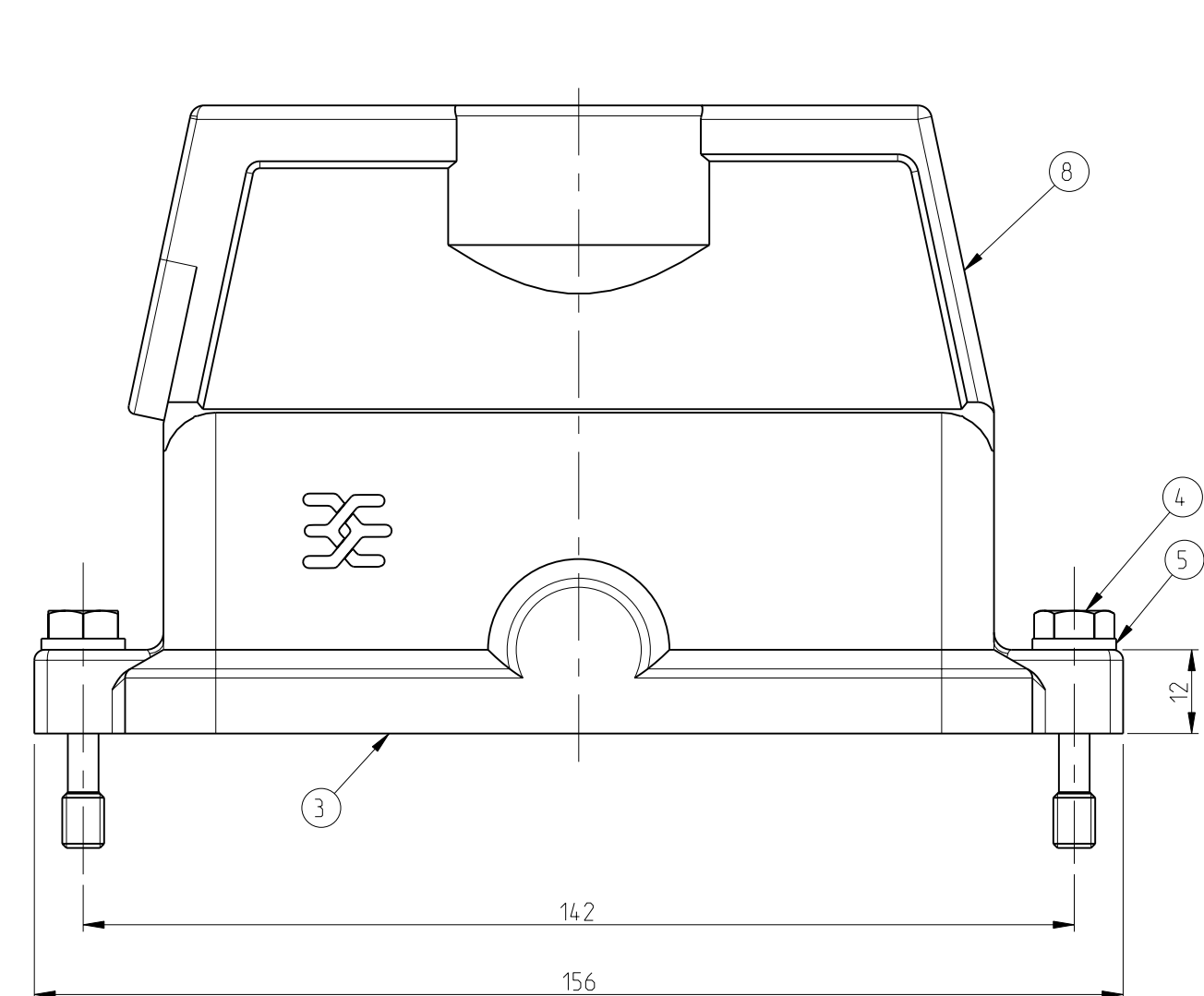
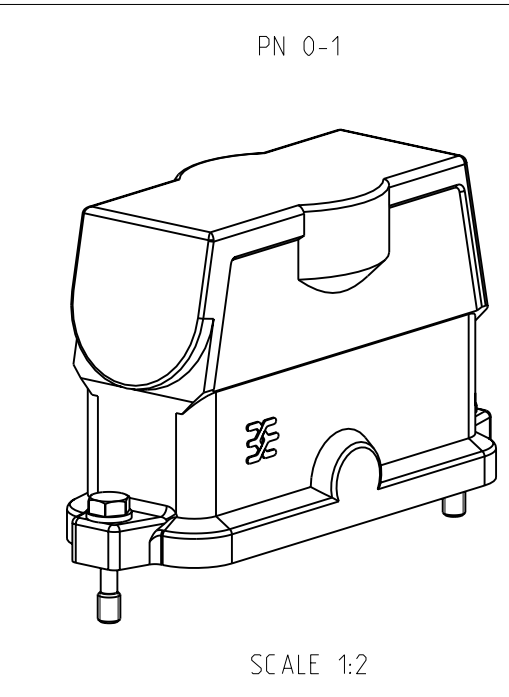
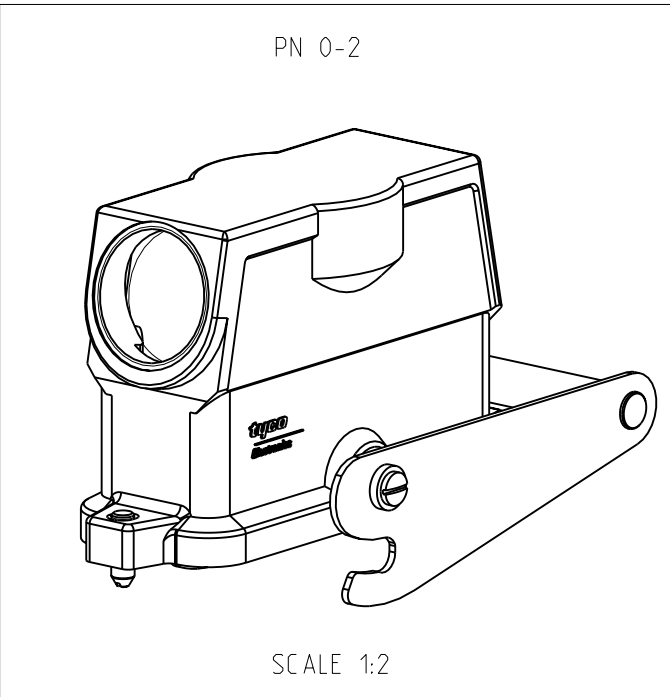
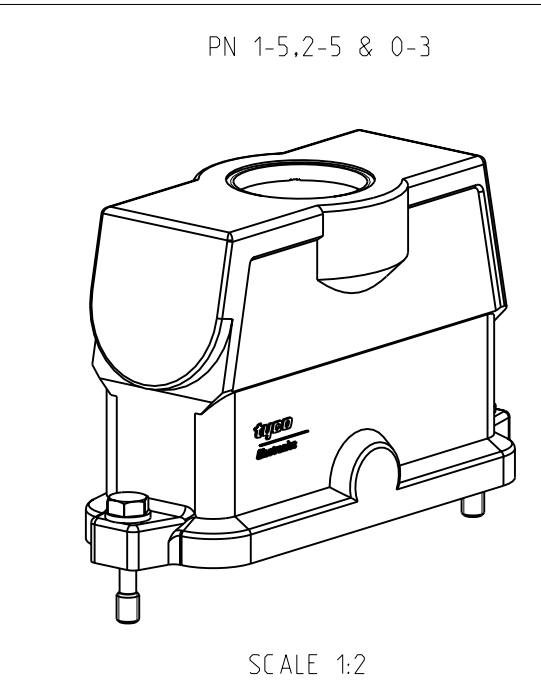
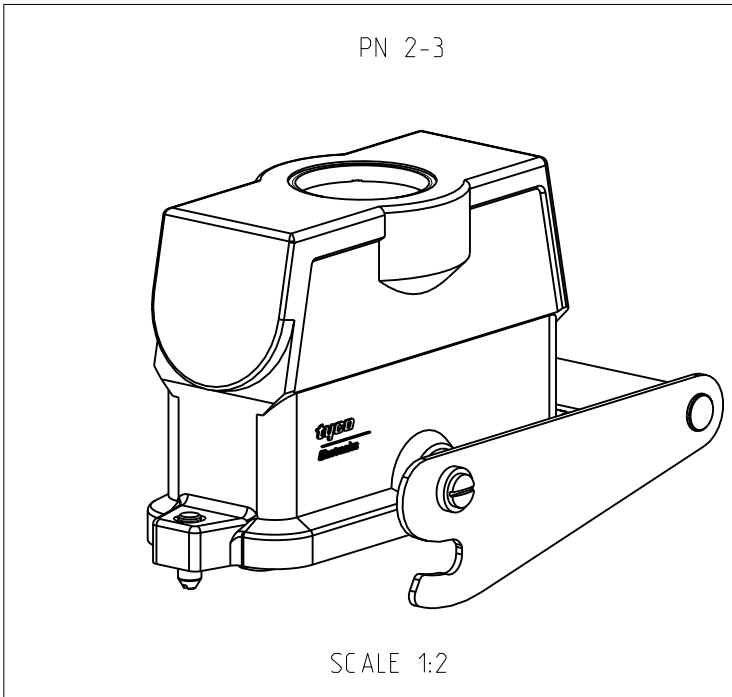


LOC	DIST	REVISIONS			
P	LTR	DESCRIPTION	DATE	OWN	APVD
B6		Released as per ECR-07-030419	17.12.07	SP	TS



- NOTES
- Material: Housing: Aluminium Diecasting Alloy  
Seals: Neoprene
  - Surface- varnish-grey  
Aluminium oxide-  
Varnish black
  - Varnish on the inside not necessary
  - Packaging quantity: 5 pieces in a box



QTY	DESCRIPTION	MATERIAL	SURFACE	COLOR	ITEM NO	REMARKS
1	Hood HIP	Aluminium		No varnish	9	Without varnish
1	Hood HIP-K	Aluminium	Aluminium oxide	Black	8	Sonder Logo without PG-Thread
2	Guide bolt	Stainless steel		Blank	7	
1	ZB-Central clip	Stainless steel		Blank	6	
2	Spring washer	Stainless steel		Blank	5	B6.4
2	Fixing screw	Stainless steel		Blank	4	M6x30
1	1	1	1	1	1	Seal
1	1	1	1	1	1	Neoprene
1	1	1	1	1	1	Hood HIP-K
1	1	1	1	1	1	Hood HIP
0-3	0-2	0-1	2-5	1-5	2-3	DESCRIPTION
ORDERING TEXT						
HIP-K/Z.24/64.STO-ZB.1.29.G						
HIP.24/64.STO.1.29.G						
HIP-K.24/64.STO.1.29.G						
HIP-K.24/64.ST.WE						
HIP-K/Z.24/64.STS-ZB.1.29.G						
HIP.24/64.STO.1.29.G						

DIMENSIONS: mm		TOLERANCES UNLESS OTHERWISE SPECIFIED:		DWN: 24.06.1998		Schneider		Tyco Electronics, AMP GmbH	
MATERIAL		FINISH		CHK: 24.06.1998		Schweiger		0-53819, Neunkirchen, Germany	
108-74030		114-74017		PRODUCT SPEC		NAME		Hood	
APPLICATION SPEC		WEIGHT		108-74030		SIZE		CAGE CODE	
CUSTOMER DRAWING		SCALE 1:1		114-74017		DRAWING NO		SHEET 1 OF 1	
A   00779		C=1102664		RESTRICTED TO		REV: B6			