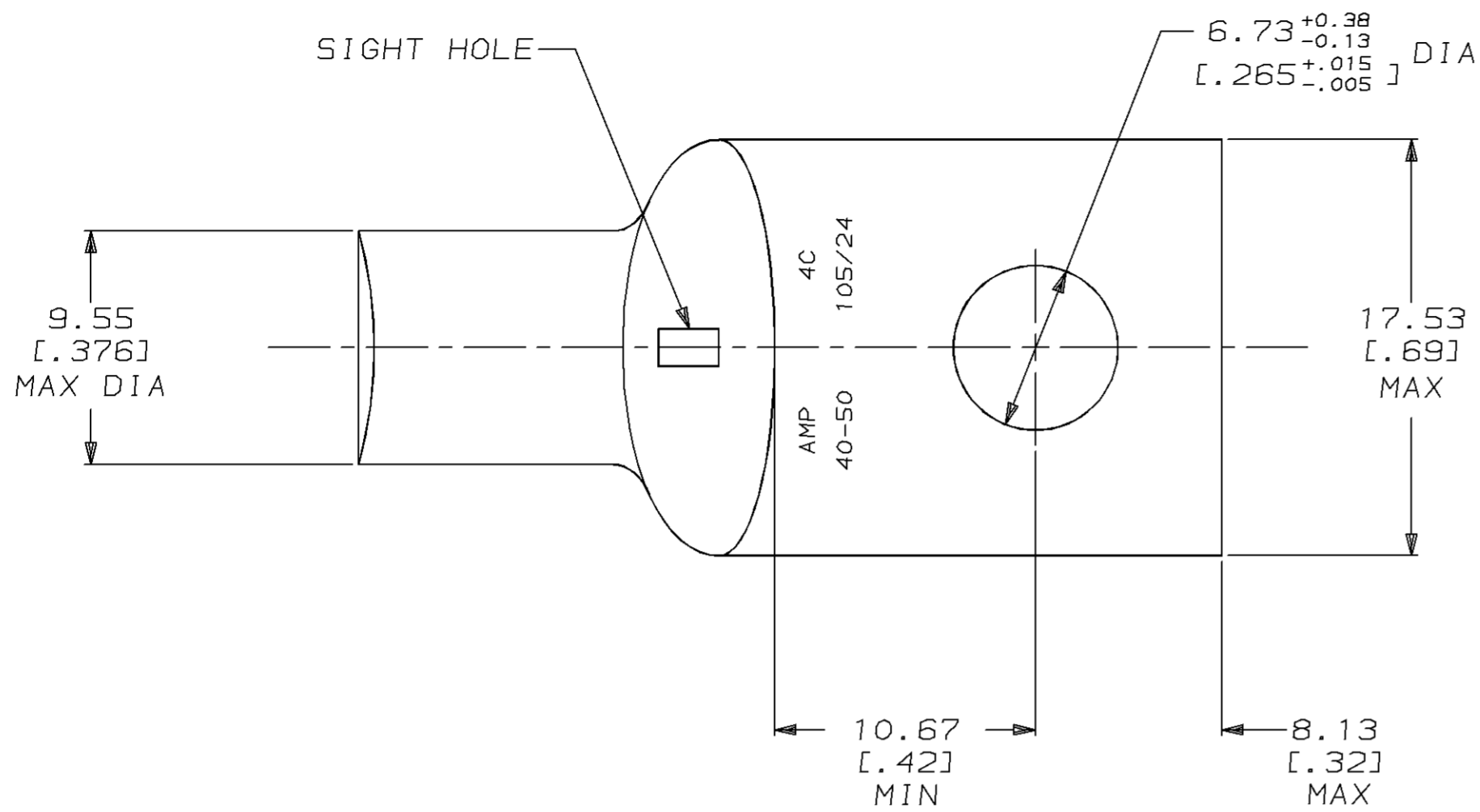
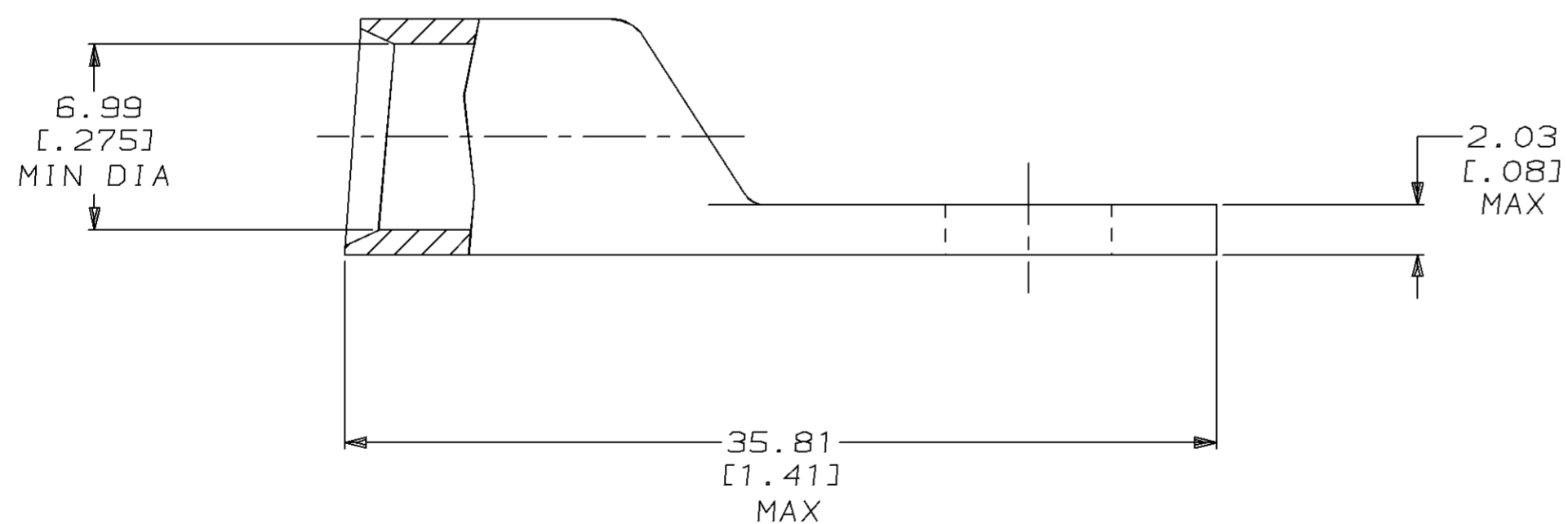


THIS DRAWING IS UNPUBLISHED. RELEASED FOR PUBLICATION, 19 .  
 © COPYRIGHT 19 BY AMP INCORPORATED. ALL INTERNATIONAL RIGHTS RESERVED.

LOC		DIST		P		F		ZONE		LTR		REVISIONS		DATE	APPD
G	86									S		REV & REDRA PER G-5357	02/28/90	DKS	



1 CIRCULAR MIL AREA RANGE: 33,100-52,600 CM  
 2 TIN PL 0.00381 [0.000150] MIN THK PER MIL-T-10727



328162

328162  
PART NO

DO NOT SCALE PRINT. UNLESS SPECIFIED DIMENSIONS IN mm [INCHES] TOLERANCES ON : 2 PLC DEC ± 0.51 [0.020] 3 PLC DEC ± - ANGLES ± -		DR 02/28/90 DK SCHRUM		AMP INCORPORATED Harrisburg, Pa. 17105	
MATERIAL ANNEALED COPPER ASTM B-152		CHK 19JAN95 MS FEHER			
FINISH △		APPD 19JAN95 WJ VOCKROTH		NAME TERMINAL, AMPPOWER™, WIRE SIZE: 4 AWG	
-		APPD 19JAN95 TL SHUTTER		SIZE C	
-		PRODUCT SPEC 108-30200		CAGE CODE 00779	
-		APPLICATION SPEC		DRAWING NO 328162	
-		WEIGHT .017 LB		SCALE 4:1	
				SHEET 1 OF 1	

**METRIC**