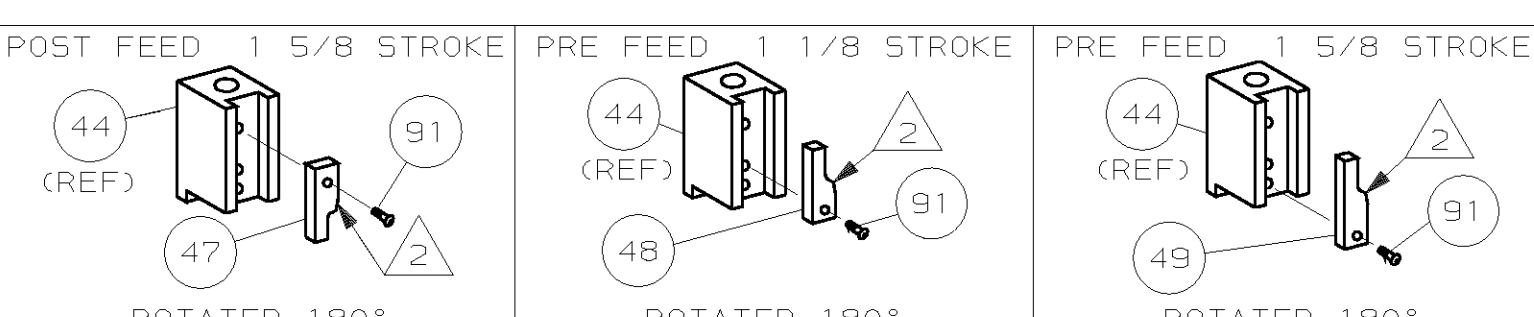
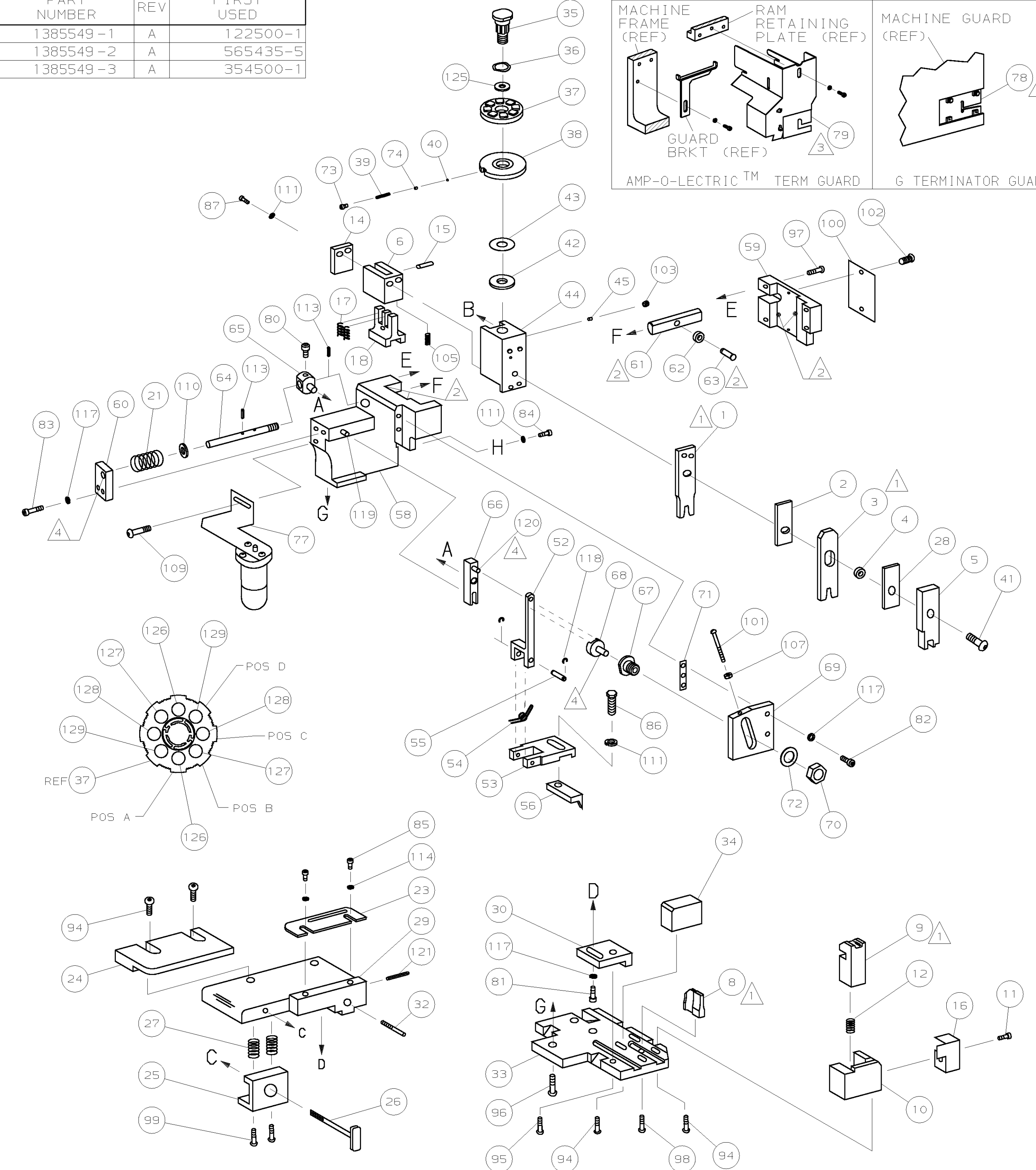
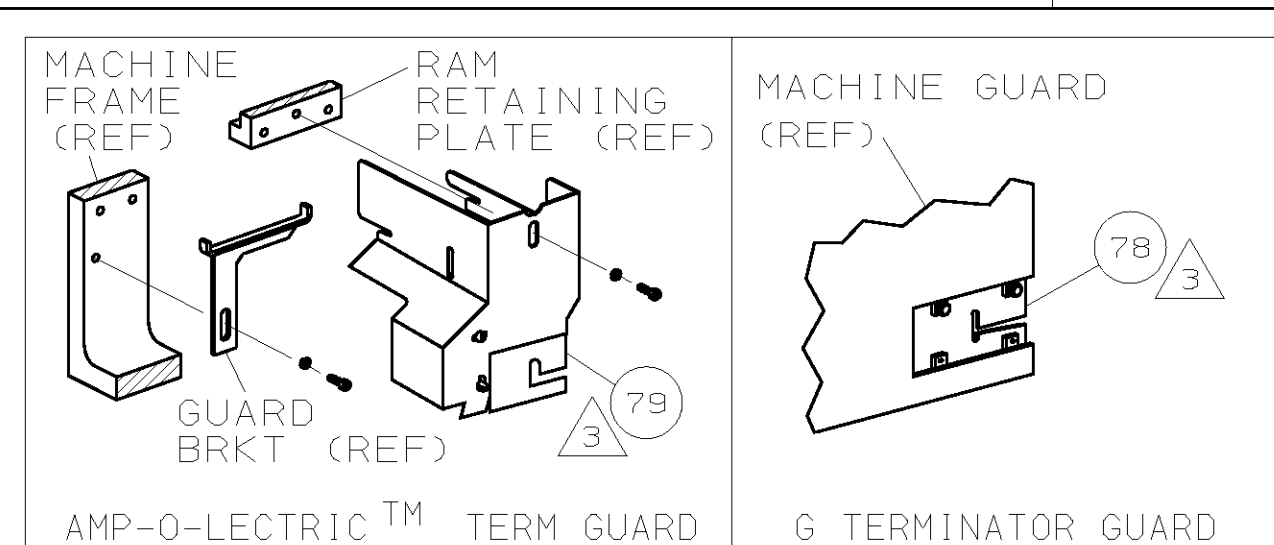


PART NUMBER	REV	FIRST USED
1385549-1	A	122500-1
1385549-2	A	565435-5
1385549-3	A	354500-1



- ① RECOMMENDED SPARE PARTS.
- ② GREASE LIGHTLY.
- ③ GUARD MUST BE IN PLACE WHEN OPERATING APPLICATOR IN A BENCH MACHINE.
- ④ LUBRICATE DAILY USING NO. 20 MACHINE OIL.

1385549 1385549

/home/us018246

TERMINAL NAME: POST CONTACT					
917571		AMP TERMINAL		AMP CRIMP SPECS	
PAD LTR	CRIMP HEIGHT	WIRE SIZE			
A	0.57 ±0.03mm	0.141mm <sup>2</sup>			
B	0.52 ±0.03mm	0.089mm <sup>2</sup>			
C	0.48 ±0.03mm	0.055mm <sup>2</sup>			
D	NOT	USED			
CRIMP	SIZE	TYPE	RANGE		
WIRE	0.8mm	F	0.055-0.141mm <sup>2</sup>		
INSUL	1.18mm	F	0.70-0.98MM		
WIRE STRIP LENGTH	TERM APPL SPEC	FEED	APPL INSTRUCTION	SET UP GAGE	LAYOUT
1.2-1.8mm	114-5212	8mm	408-8040	458637-1	L2448

QTY	REF	REF	REF	REF	REF	DESCRIPTION	ITEM NO	
2	2	2	-	C	3-354779-4	PIN, WIRE DISC (.3160)C	129	
2	2	2	-	C	3-354779-0	PIN, WIRE DISC (.3140)B	127	
2	2	2	-	C	2-354779-6	PIN, WIRE DISC (.3120)A	126	
1	1	1	-	A	986950-1	WASHER, FLAT PRECISION	125	
1	1	1	-	A	217238-1	GENERAL INSTRUCTION PACKAGE	124	
1	1	1	-	-	4088040	SF APPL INST 408-8040	123	
REF	REF	REF	-	A	939691-1	CRIMPER LUBRICANT	122	
1	1	1	-	A	4-21028-0	PIN, SLT SPR (ø.093x.75)ST GDE PL	121	
1	1	1	-	A	1-21030-1	PIN, DOWEL (ø.187x.50)LEVER	120	
1	1	1	-	A	1-21030-6	PIN, DOWEL (ø.187x1.25)HOUSING	119	
2	2	2	-	A	21045-3	RING, RET "C" (ø.187)FD FING PIN	118	
5	5	5	-	A	21024-5	WASHER, LOCK (#10)ADJ BLOCK	117	
2	2	2	-	A	21024-5	WASHER, LOCK (#10)ADJ PLATE	116	
2	2	2	-	A	21024-5	WASHER, LOCK (#10)FEED GDE ROD	115	
2	2	2	-	A	21024-2	WASHER, LOCK (#4)FRONT STP GUIDE	114	
2	2	2	-	A	5-21028-1	PIN, SLT SPR (ø.125x.50)ADJ ROD	113	
							112	
4	4	4	-	A	21024-4	WASHER, LOCK (#8)STRIPPER	111	
1	1	1	-	A	21899-4	WASHER, FLAT (ø5/16)SCREW ADJ	110	
-	1	-	-	A	2-21002-6	SCR, BHC (10-32x.38)LUBE ASSY	109	
							108	
1	1	1	-	A	21068-5	NUT, HEX (6-32)FEED ADJ	107	
							106	
1	1	1	-	A	2-21008-1	SCR, SKT SET (4-40x.25) HD	105	
							104	
1	1	1	-	A	21009-2	SCR, SKT SET (1/4-20x.25 LW)RAM	103	
2	2	2	-	A	21017-2	SCR, DRIVE (#2x.19)ID PLATE	102	
1	1	1	-	A	6-23715-5	SCR, PAN HD (6-32x1.50)FEED ADJ	101	
1	1	1	-	B	461264-1	PLATE, IDENTIFICATION	100	
2	2	2	-	A	3-21002-0	SCR, BHC (10-32x.88)DRAG	99	
1	1	1	-	A	22733-8	SCR, BHC (8-32x.38 LW)ANVIL	98	
4	4	4	-	A	2-21002-9	SCR, BHC (10-32x.75)CAP	97	
3	3	3	-	A	2-22733-8	SCR, BHC (1/4-20x.62)HOUSING	96	
1	1	1	-	A	2-21002-7	SCR, BHC (10-32x.50)56 ADJ BLOCK	95	
6	6	6	-	A	2-21002-2	SCR, BHC (8-32x.50)TERM H DWN	94	
							93	
							92	
							91	
1	1	1	-	A	1-21002-7	SCR, BHC (6-32x.38)CAM	90	
							89	
							88	
2	2	2	-	A	3-21000-0	SCR, SHC (8-32x.88)HOLD DOWN	87	
1	1	1	-	A	2-22603-0	SCR, HEX HD (8-32x.31)FEED FINGER	86	
2	2	2	-	A	1-21000-3	SCR, SHC (4-40x.25)FR ST GUIDE	85	
1	1	1	-	A	2-21000-7	SCR, SHC (8-32x.50)STRIPPER	84	
2	2	2	-	A	3-21000-7	SCR, SHC (10-32x.75)FEED ROD GD	83	
2	2	2	-	A	3-21000-6	SCR, SHC (10-32x.62)FD ADJ BLK	82	
1	1	1	-	A	3-21000-4	SCR, SHC (10-32x.38)56 ADJ BL	81	
1	1	1	-	A	3-21000-4	SCR, SHC (10-32x.38)PIVOT BLK	80	
-	REF	-	-	B	455749-1	GUARD, WINDOW	79	
REF	-	-	-	B	679532-1	INSERT, GUARD	78	
-	1	-	-	C	1-465184-0	LUBRICATOR ASSY	77	
							76	
							75	
1	1	1	-	A	690603-1	SPRING, ASSIST	74	
1	1	1	-	A	23030-1	SCR, SHC (6-32x.25 SL)INS DISC	73	
1	1	1	-	A	458109-1	WASHER, SPECIAL	72	
1	1	1	-	A	690517-1	SPACER	71	
-3	-2	-1	U/M	DWG SIZE	PART NO	DESCRIPTION	ITEM NO	
QTY RECD PER ASSY				PARTS LIST				

QTY	REF	REF	REF	REF	REF	DESCRIPTION	ITEM NO	
-1	1	1	1	-	B	22594-8	NUT, HEX (1/2-20)	70
-2	1	1	1	-	B	240628-1	PLATE, ADJUSTMENT	69
-3	1	1	1	-	B	240626-1	SHAFT, PIVOT	68
	1	1	1	-	B	240633-1	BUSHING	67
	1	1	1	-	A	455680-1	LEVER, INTERMEDIATE	66
	1	1	1	-	B	240629-1	BLOCK, PIVOT	65
	1	1	1	-	A	240632-2	SCREW, ADJ FEED ROD	64
	1	1	1	-	B	240659-3	PIN, CAM ROLLER	63
	1	1	1	-	B	240658-1	ROLLER, CAM	62
	1	1	1	-	B	454398-2	ROD, FEED	61
	1	1	1	-	A	454178-1	GUIDE, FEED ROD	60
	1	1	1	-	C	454220-1	CAP, RAM	59
	1	1	1	-	D	454485-1	HOUSING	58
							57	
							56	
1	1	1	-	B	690542-2	PAWL, FEED	55	
1	1	1	-	B	240624-1	PIN, FEED FINGER	54	
1	1	1	-	B	691499-1	SPRING, FEED FINGER	53	
1	1	1	-	B	690541-1	HOLDER, FEED FINGER	52	
1	1	1	-	A	455679-1	LEVER, TERMINAL FEED ARM	51	
							50	
1	-	-	-	B	690602-6	CAM, PRE-FEED 1 5/8 ST	49	
-	1	-	-	B	690602-5	CAM, PRE-FEED 1 1/8 ST	48	
-	-	1	-	B	690501-4	CAM, POST-FEED 1 5/8 ST	47	
							46	
1	1	1	-	A	690191-1	PLUG, NYLON	45	
1	1	1	-	C	455673-3	RAM	44	
1	1	1	-	A	690125-1	WASHER, LAMINATED	43	
1	1	1	-	A	690124-4	WASHER, RAM	42	
1	1	1	-	A	7-21002-9	BOLT, CRIMPER (5/16x1.00)	41	
1	1	1	-	A	23241-6	BALL, STEEL	40	
1	1	1	-	A	690170-1	SPRING, COMPRESSION	39	
1	1	1	-	C	690142-6	DISC, INSULATION	38	
1	1	1	-	D	354777-1	WIRE DISC, PLASTIC	37	
1	1	1	-	A	22480-5	WASHER, SPRING	36	
1	1	1	-	B	690212-1	POST, RAM	35	
1	1	1	-	B	3-690786-3	SUPPORT, TERMINAL	34	
1	1	1	-	D	455675-4	PLATE, BASE	33	
1	1	1	-	A	690432-3	SCREW, ADJUSTMENT	32	
							31	
1	1	1	-	B	455689-1	BLOCK, STRIP GUIDE ADJ	30	
1	1	1	-	C	455671-1	PLATE, STRIP GUIDE	29	
1	1	1	-	C	1-455888-5	SPACER, FRONT SHEAR DEP	28	
2	2	2	-	A	1-22284-0	SPRING, DRAG	27	
1	1	1	-	B	690546-1	LEVER, DRAG RELEASE	26	
1	1	1	-	B	240792-1	DRAG, TERMINAL	25	
1	1	1	-	D	2-90765-9	GUIDE, STRIP (REAR)	24	
1	1	1	-	A	690438-1	GUIDE, STRIP (FRONT)	23	
1	1	1	-	B	1-1338987-6	STRIPPER	22	
1	1	1	-	A	4-22284-9	SPRING, FEED RETURN	21	
							20	
							19	
1	1	1	-	A	4-1338389-6	HOLD DOWN, TERMINAL	18	
2	2	2	-	A	22278-9	SPRING, HOLD DOWN	17	
1	1	1	-	B	318563-1	GUARD, CHIP, FRONT	16	
1	1	1	-	A	4-21028-0	PIN, SLT SPR (ø.094x.75)HD	15	
1	1	1	-	B	455053-1	PLATE, RETAINER	14	
							13	
1	1	1	-	A	5-22280-0	SPRING, SHEAR	12	
1	1	1	-	B	690461-1	STOP, SHEAR	11	
1	1	1	-	C	690459-7	HOLDER, SHEAR (FRONT)	10	
1	1	1	-	C	462006-1	SHEAR, FLOAT (FRONT)	9	
1	1	1	-	C	4-662520-1	ANVIL	8	
							7	
1	1	1	-	B	455052-1	CARRIER, TERM. HOLDER	6	
1	1	1	-	C	2-455889-9	DEPRESSOR, SHEAR (FRONT)	5	
1	1	1	-	B	2-238011-8	SPACER, BLOCK CRIMPER	4	
1	1	1	-	C	7-683453-1	CRIMPER, INSULATION	3	
1	1	1	-	C	455888-1	SPACER, CRIMPER	2	
1	1	1	-	C	8-568176-2	CRIMPER, WIRE	1	
-3	-2	-1	U/M	DWG SIZE	PART NO	DESCRIPTION	ITEM NO	
QTY RECD PER ASSY				PARTS LIST				

REVISION OF EACH ASSY NO (WHEN BLANK, USE DWG REVISION)

LOC A	DIST 66	AMP 1756 REV 3-92	07-MAR-03	06:54:58	US018246
----------	------------	-------------------	-----------	----------	----------

THIS DRAWING IS UNRELEASED. BY AMP INCORPORATED. ALL RIGHTS RESERVED.

THIS DRAWING IS A CONTROLLED DOCUMENT.

RELEASED FOR PUBLICATION

REMOVED BURRS, BREAK SHARP EDGES R.015 MAX

SURF TEXTURE: ✓

MATL - HT TR - FIN -

DR B.HIGMAN 22JAN03 APP T.ELBIN 22JAN03

CHK - REL -

3 PLC DEC ±

4 PLC DEC ±

ANGLES ±

AMP Tyco Electronics Harrisburg, PA 17105-3608

NAME SIDE FEED HDM APPLICATOR MACHINE REF MINI APPL

SCALE - DWG NO 1385549 SHEET 1 OF 1 REV A

CASE CODE 00779 CUSTOMER AND ASSEMBLY DRAWING RESTRICTED TO -

THIS DRAWING IS A CONTROLLED DOCUMENT.

1385549

C

B

A

THIS DRAWING IS UNRELEASED. BY AMP INCORPORATED. ALL RIGHTS RESERVED. RELEASED FOR PUBLICATION

1385549