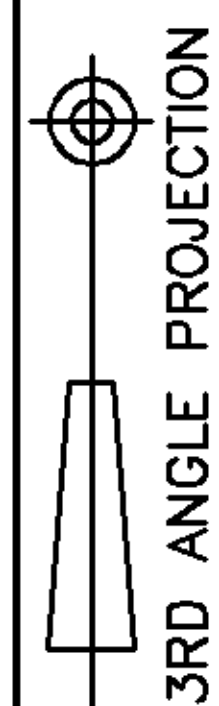
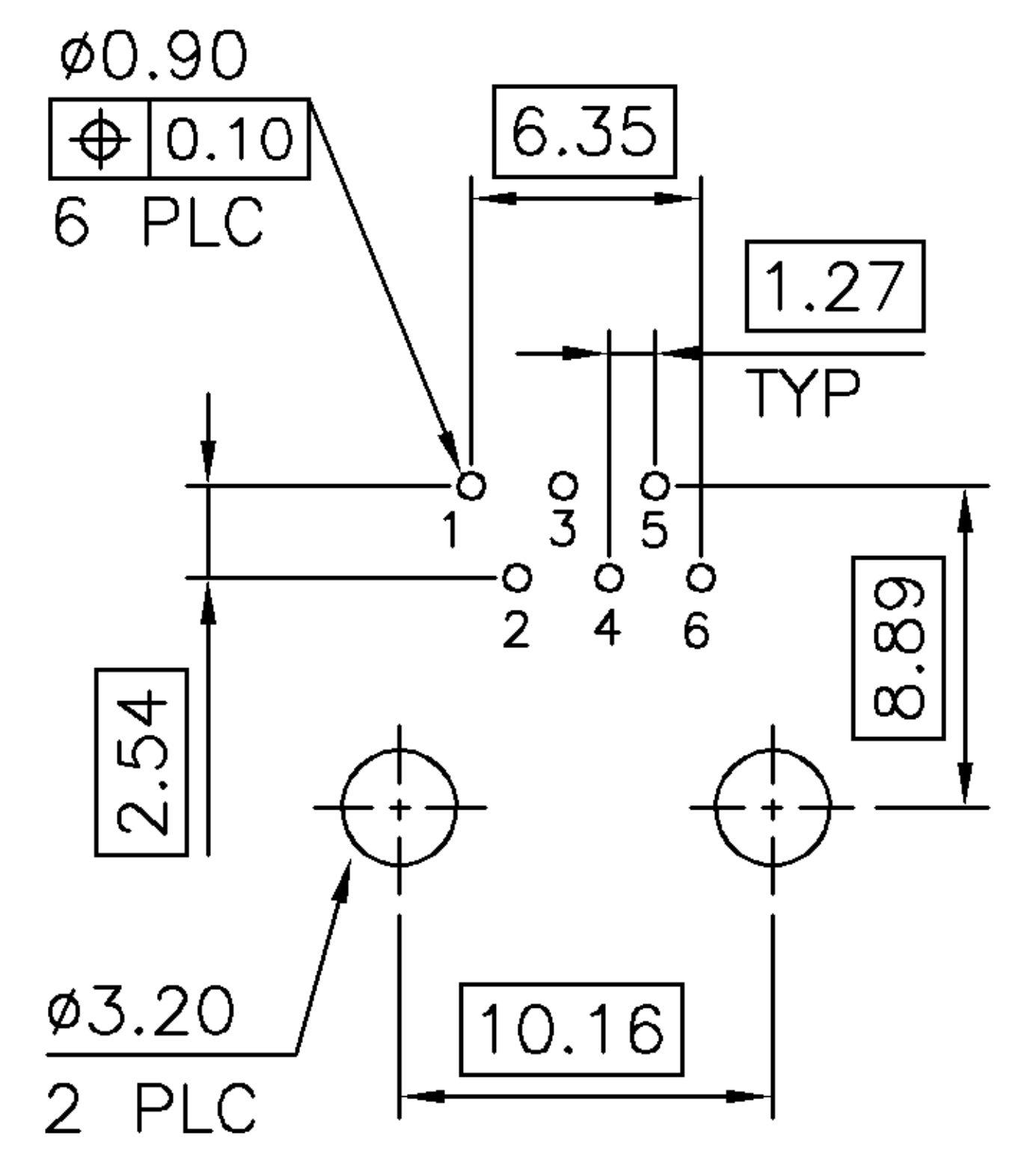
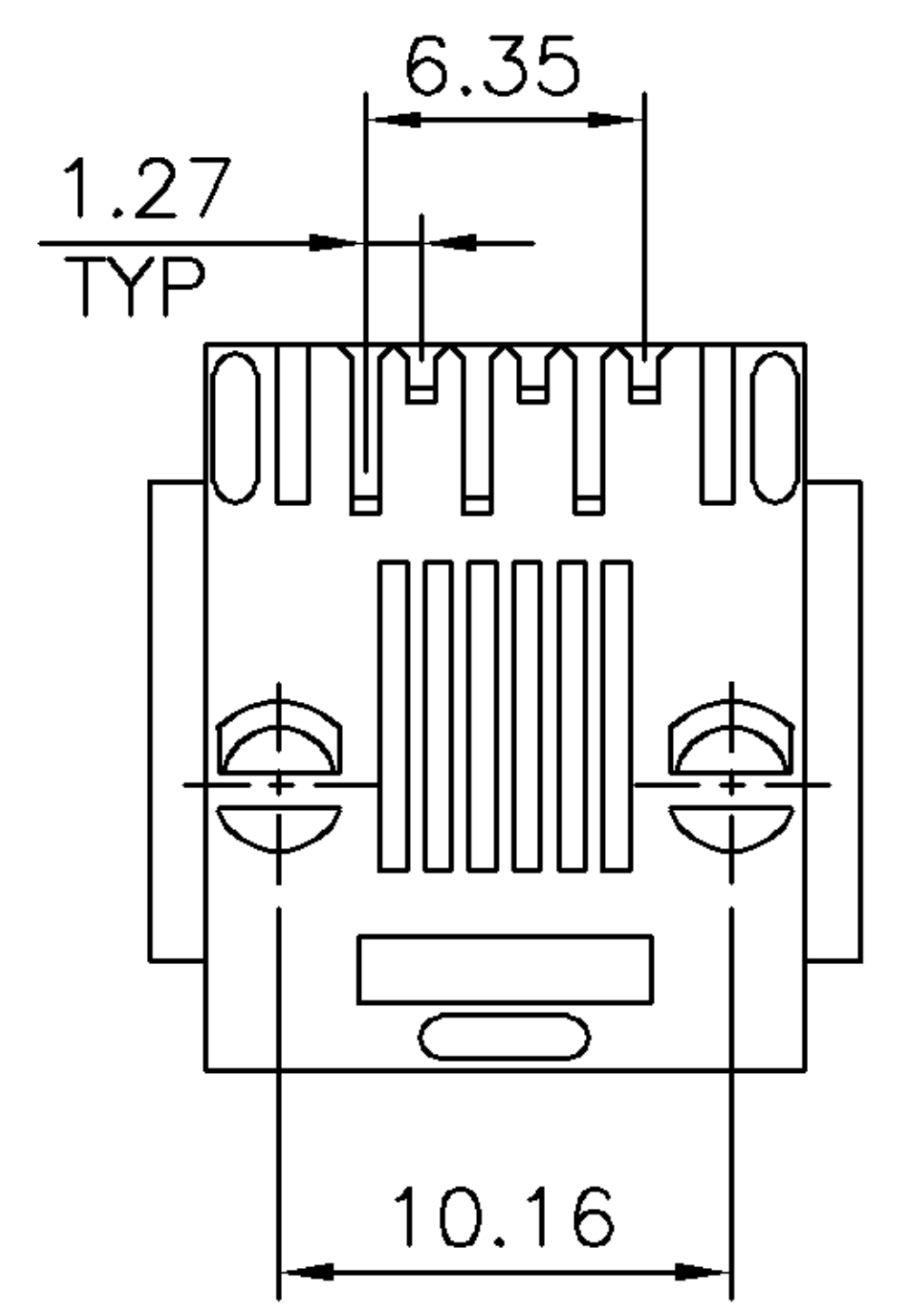
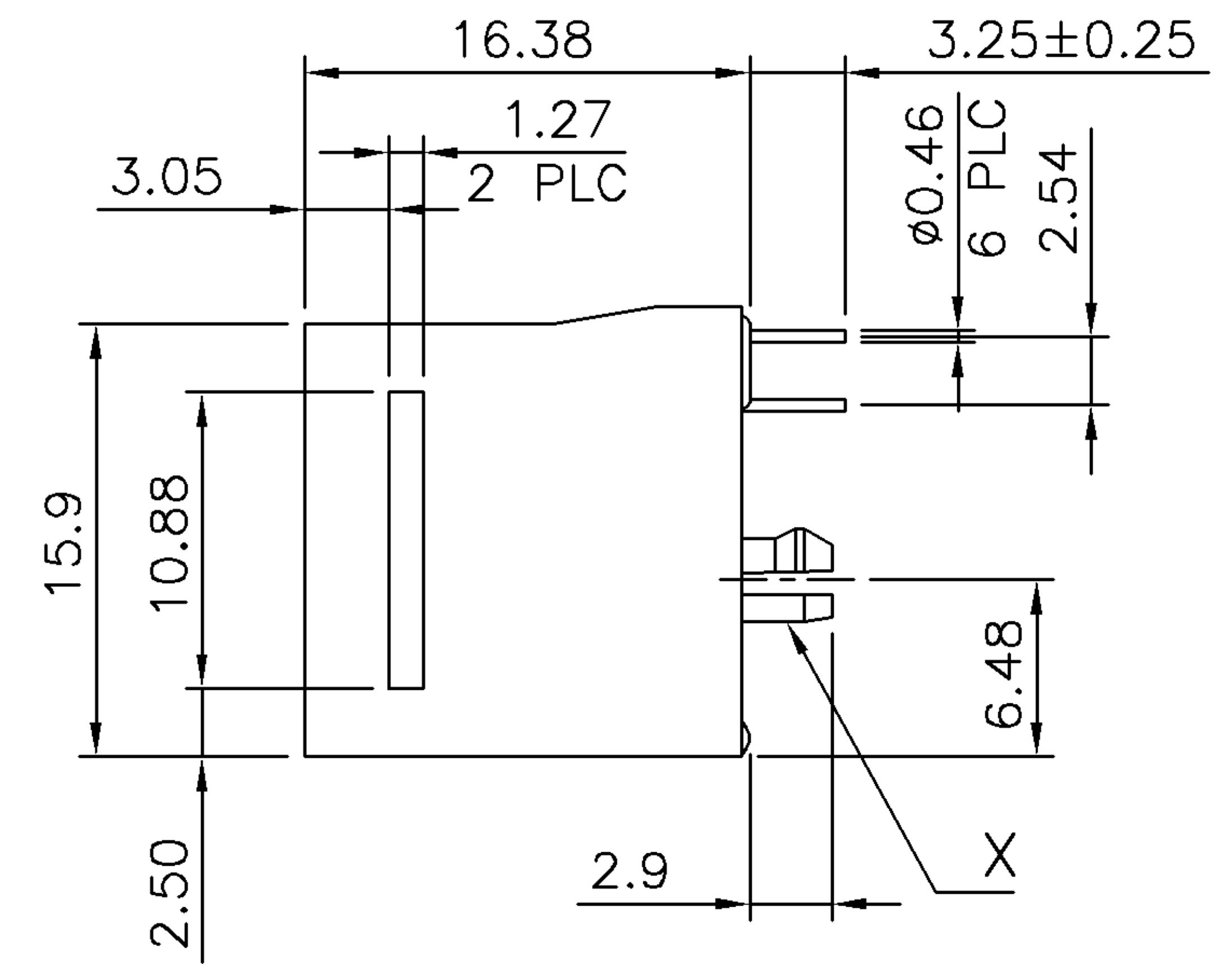
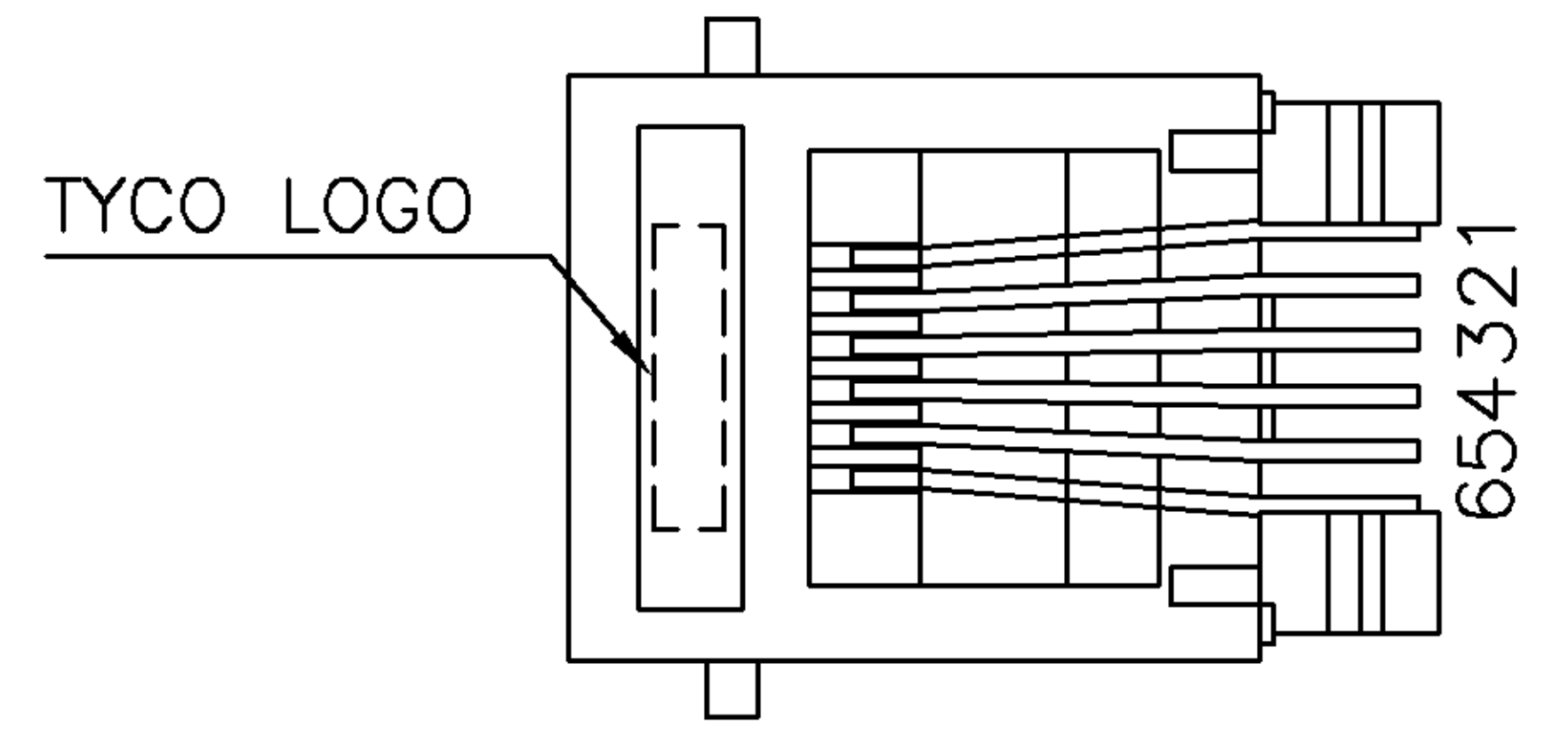
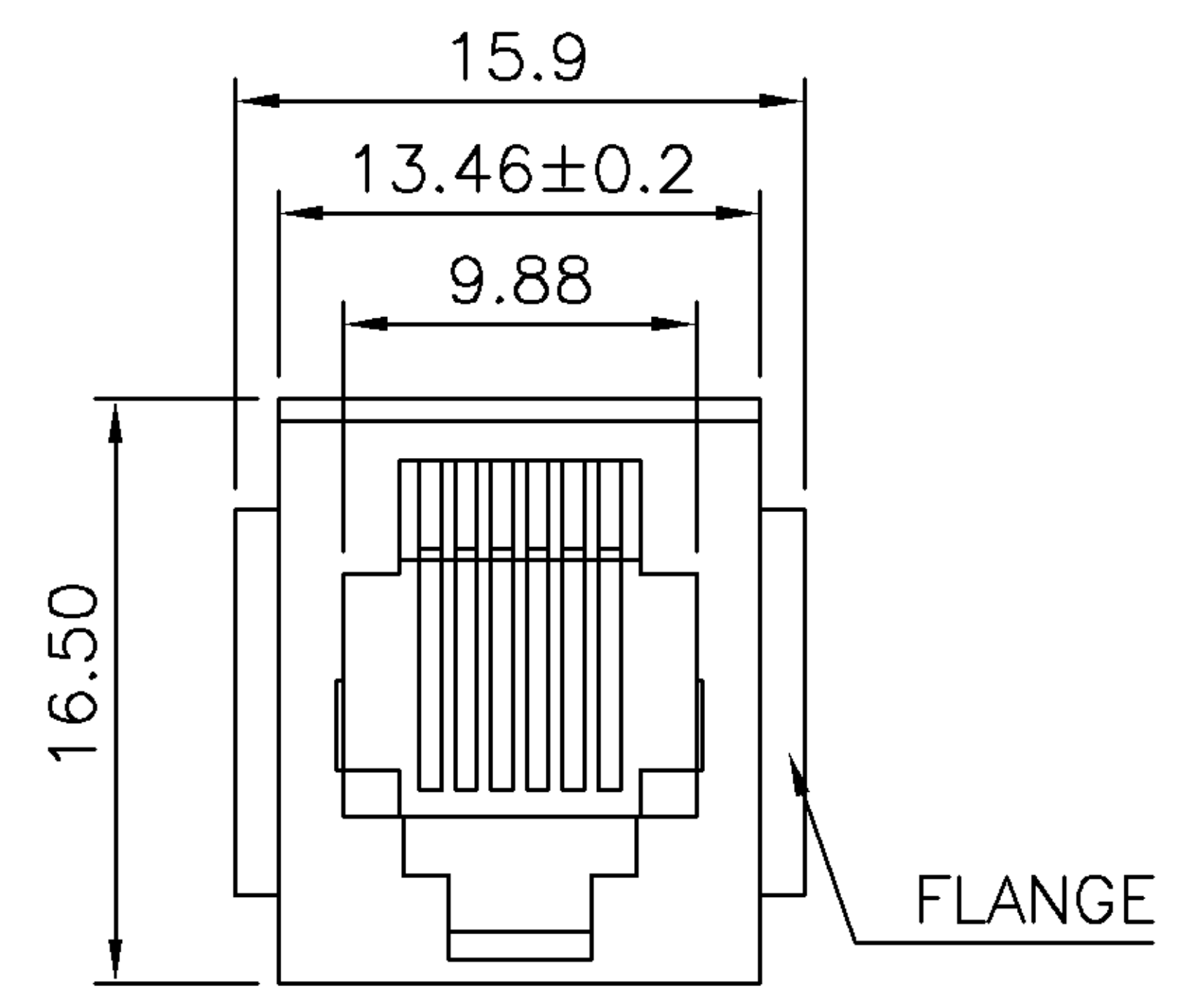


THIS INFORMATION IS CONFIDENTIAL AND IS DISCLOSED TO YOU ON CONDITION THAT NO FURTHER DISCLOSURE IS MADE BY YOU TO OTHER THAN AMP PERSONNEL WITHOUT WRITTEN AUTHORIZATION FROM AMP (TAIWAN) LTD. DIMENSIONS IN MILLIMETERS. DO NOT SCALE PRINT.

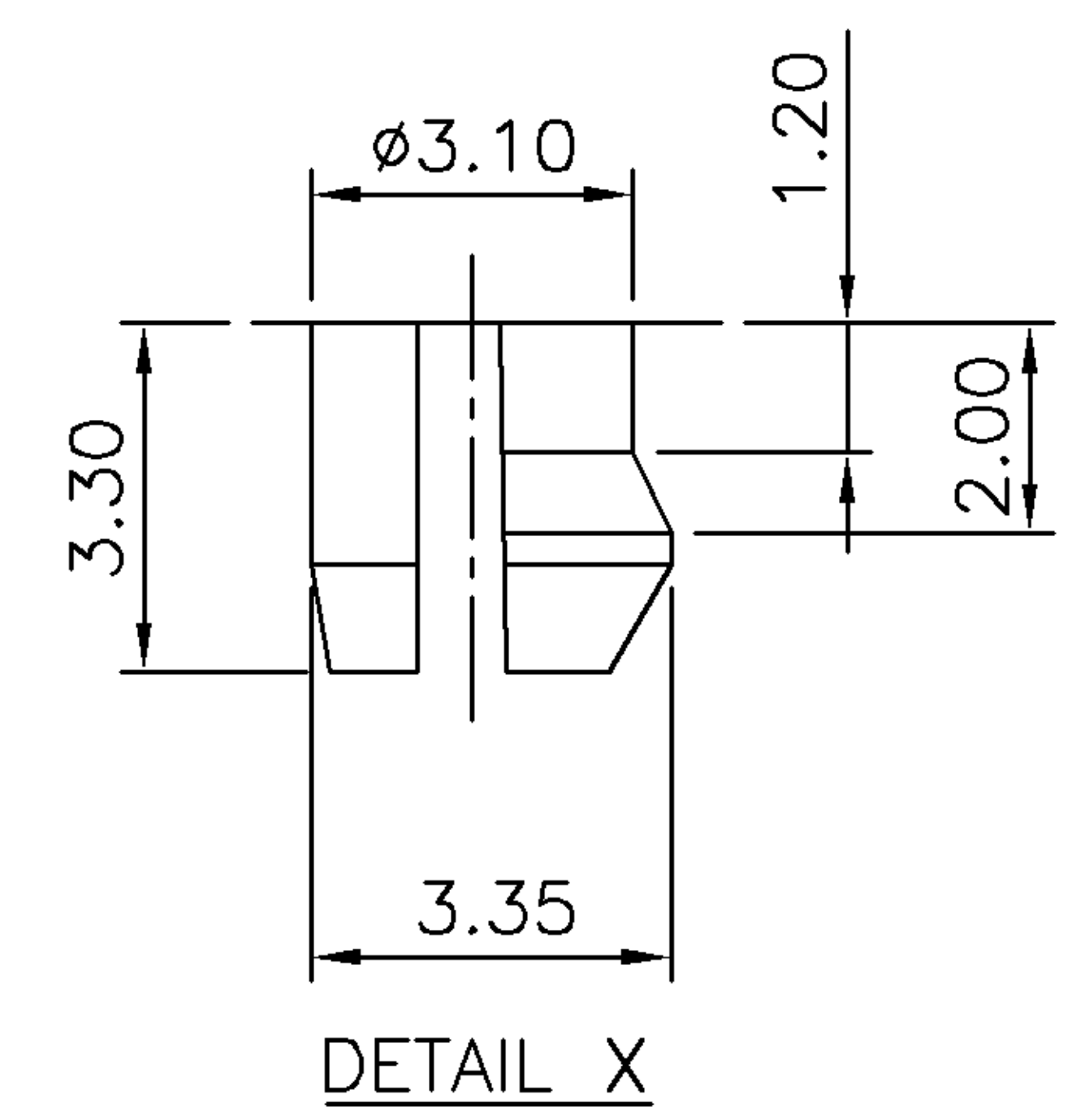
NUMBER  
C-1775380



METRIC



RECOMMENDED PCB LAYOUT (THICKNESS: 1.6mm)  
DIMENSION TOLERANCE: (1 PLC:±0.1, 2 PLC:±0.05)



NOTE:

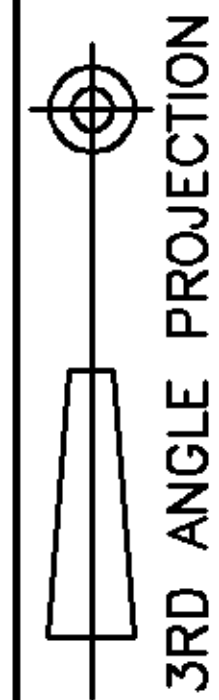
- MATERIAL:  
HOUSING: THERMOPLASTIC, UL94V-0, COLOR: BLACK.  
CONTACT: PHOSPHOR BRONZE, DIAMETER: 0.46mm.
- FINISH:  
CONTACT: GOLD PLATED (SEE TABLE) OVER 50u" MIN.  
NICKEL UNDER PLATED ALL OVER.
- WAVE SOLDER CAPABLE TO 260°C PER TYCO SPEC 109-202, CONDITION C.

6P2C	50μ"	2-1775380-4
	30μ"	2-1775380-3
	15μ"	2-1775380-2
	6μ"	2-1775380-1
6P4C	50μ"	1-1775380-4
	30μ"	1-1775380-3
	15μ"	1-1775380-2
6P6C	50μ"	1775380-4
	30μ"	1775380-3
	15μ"	1775380-2
6μ"	1775380-1	
POS/ CONT.	MIN. GOLD THICKNESS	PART NUMBER

TOLERANCES UNLESS OTHERWISE SPECIFIED: 0 PLC ±0.50 1 PLC ±0.30 2 PLC ±0.20 3 PLC ±0.10 ANGLES ±3'	DWN	O. HU	TYCO HOLDINGS (BERMUDA) VII LTD. TAIWAN BRANCH 		
		04-MAY-2006			
MATERIAL  SEE NOTE	CHK	S. HOU	NAME  MODULAR JACK, SINGLE, DIP, TOP ENTRY		
		04-MAY-2006			
FINISH  SEE NOTE	APVD	W.J. KE	LOC SIZE DRAWING NO REV DW A <sub>3</sub> C-1775380 A		
		04-MAY-2006			
	PRODUCT SPEC		SCALE SHEET -- 1 OF 2		
	108-57535				
	QUALIFICATION TEST REPORT		WEIGHT 3.0g		
	501-57718				

A	FIRST RELEASED		OH SH	05MAY 2006
LTR	REVISION RECORD	ECN	DWN CHK	DATE

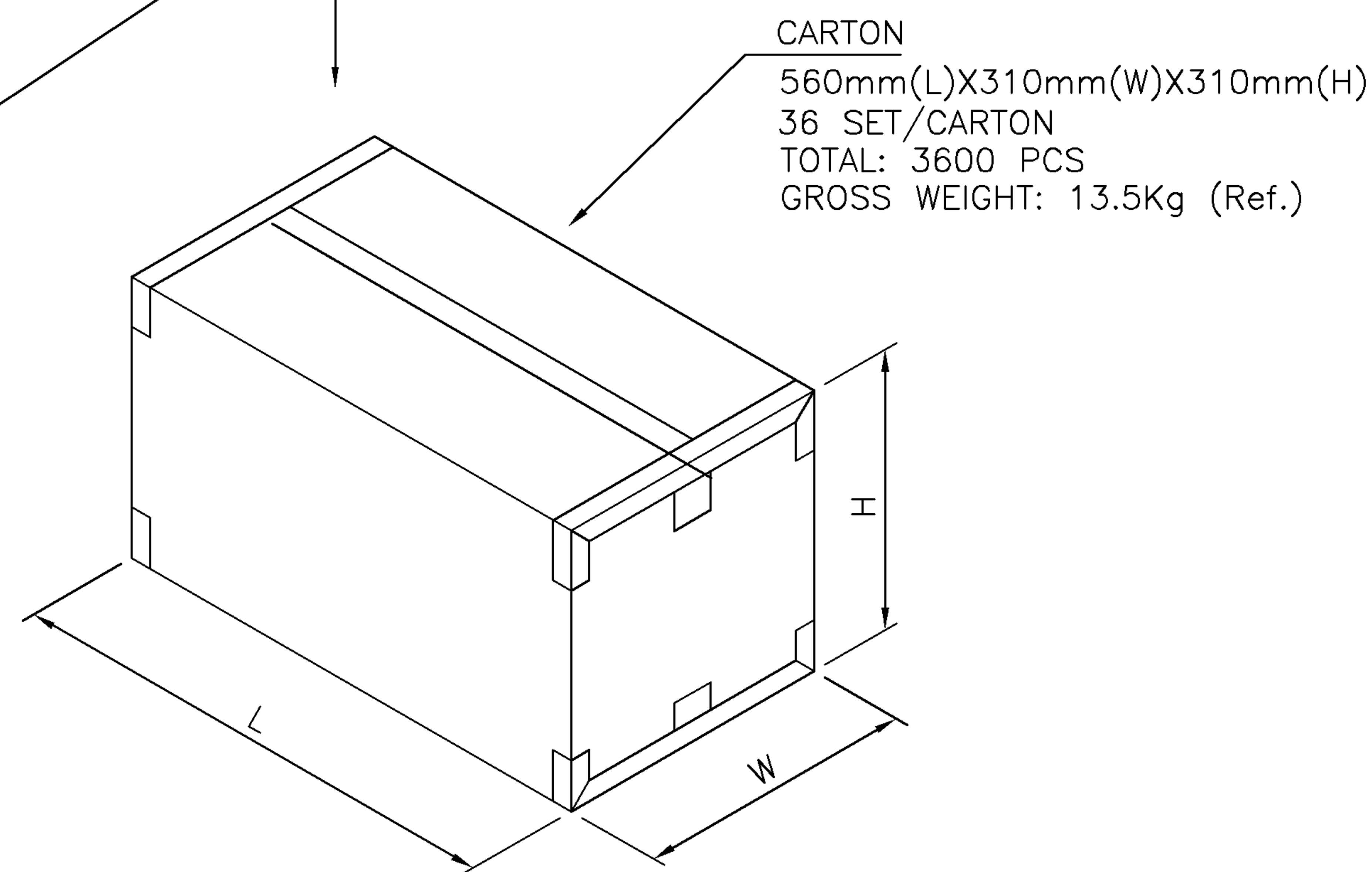
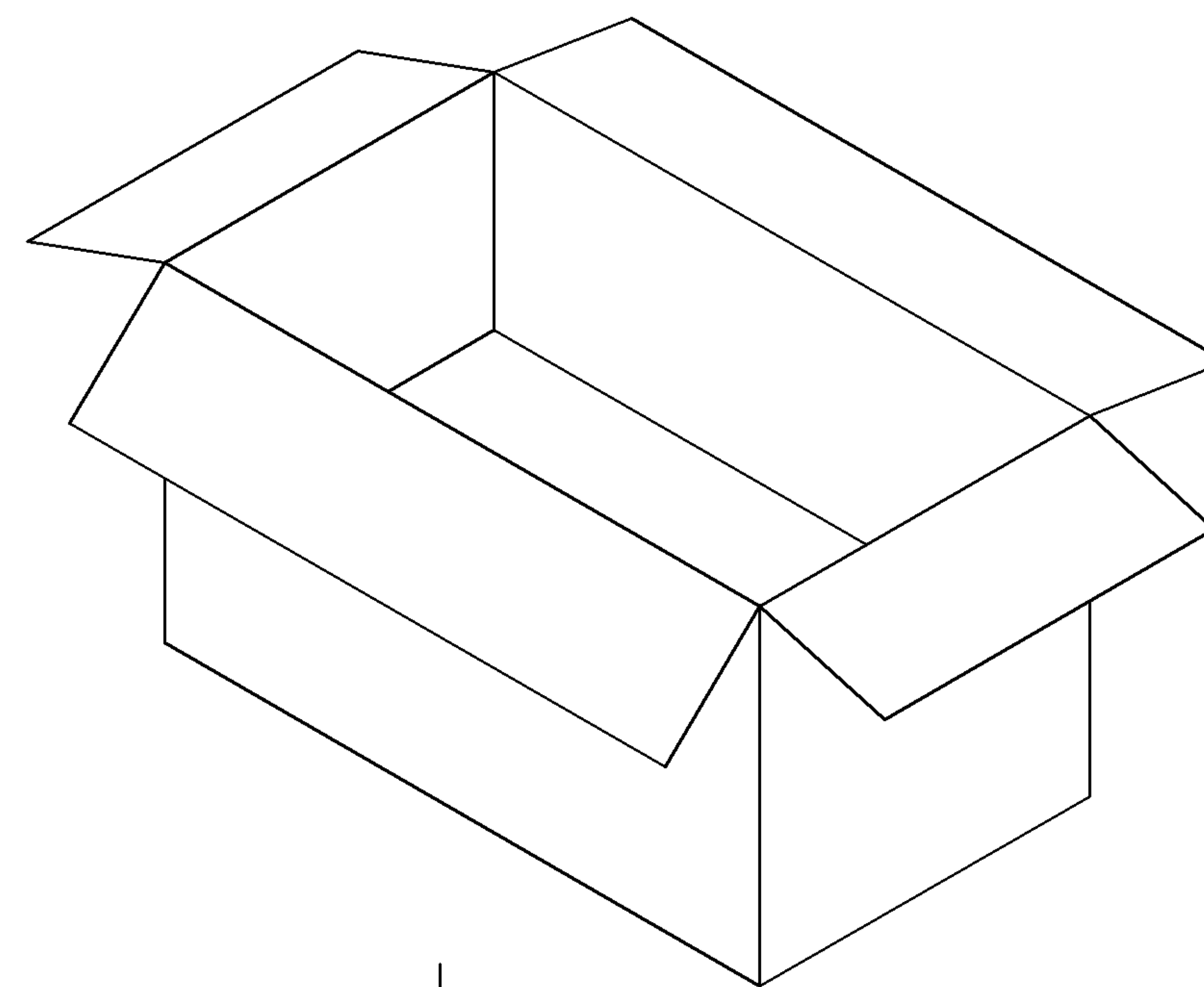
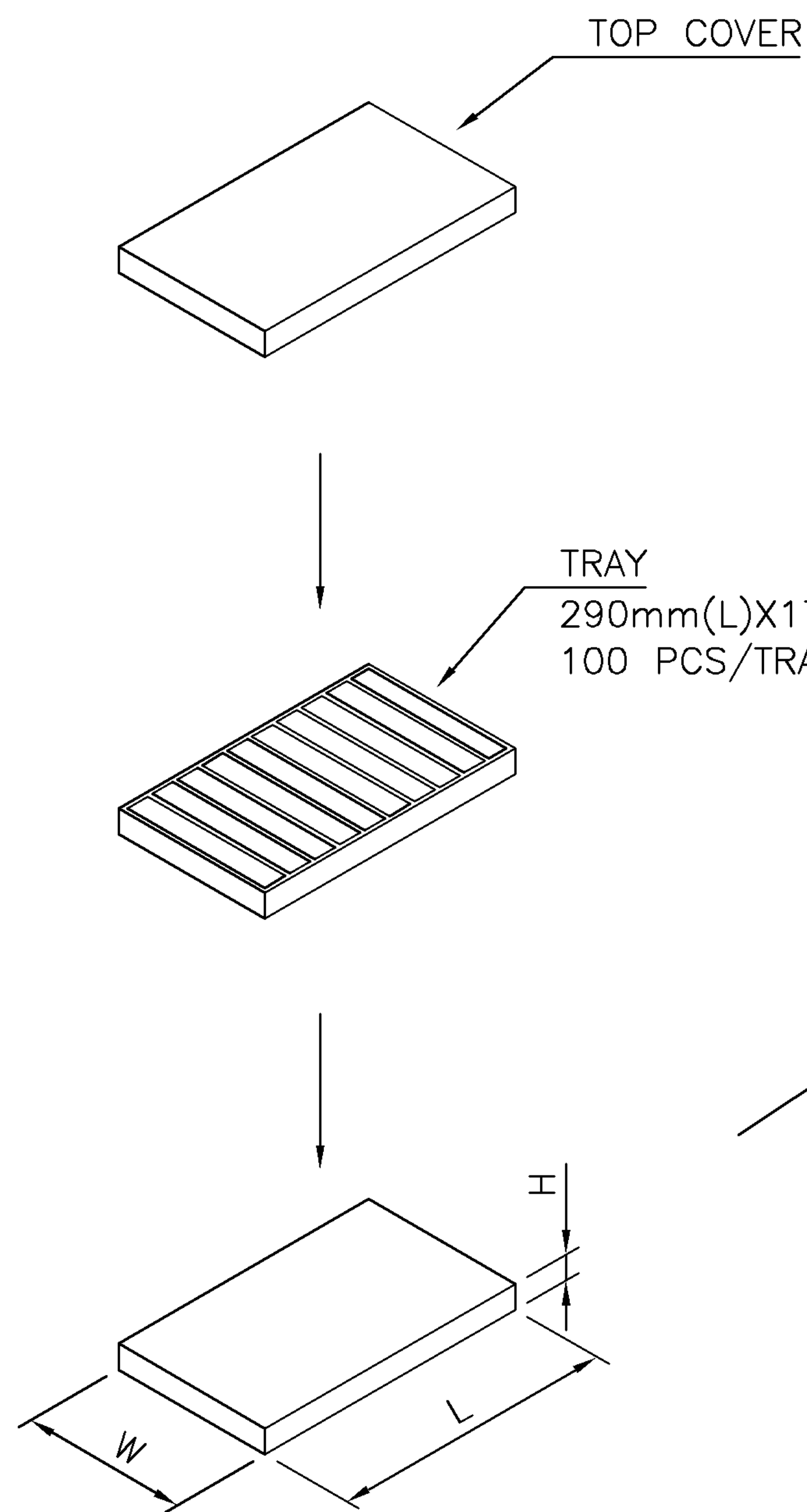
NUMBER  
C-1775380



METRIC

THIS INFORMATION IS CONFIDENTIAL AND IS DISCLOSED TO YOU ON CONDITION THAT NO FURTHER DISCLOSURE IS MADE BY YOU TO OTHER THAN AMP PERSONNEL WITHOUT WRITTEN AUTHORIZATION FROM AMP (TAIWAN) LTD. DIMENSIONS IN MILLIMETERS. DO NOT SCALE PRINT.

PRINT  
DW



SEE SHEET 1.	ECN	DWN	CHK	DATE
LTR	REVISION RECORD			

TOLERANCES UNLESS OTHERWISE SPECIFIED: 0 PLC ± 1 PLC ± 2 PLC ± 3 PLC ± ANGLES ±	DWN	O. HU	<b>tyco</b> TYCO HOLDINGS (BERMUDA) <b>Electronics</b> VII LTD. TAIWAN BRANCH			
		04-MAY-2006				
MATERIAL  SEE NOTE	CHK	S. HOU	NAME  MODULAR JACK, SINGLE, DIP, TOP ENTRY			
		04-MAY-2006				
FINISH  SEE NOTE	APVD	W.J. KE	LOC	SIZE	DRAWING NO	REV
		04-MAY-2006	DW	A <sub>3</sub>	C-1775380	A
	PRODUCT SPEC	-	SCALE	SHEET		
	APPLICATION SPEC	-	--	2 OF 2		
	WEIGHT	-				

8

7

6

5

4

3

2

1

CUSTOMER DRAWING

D

C

B

A