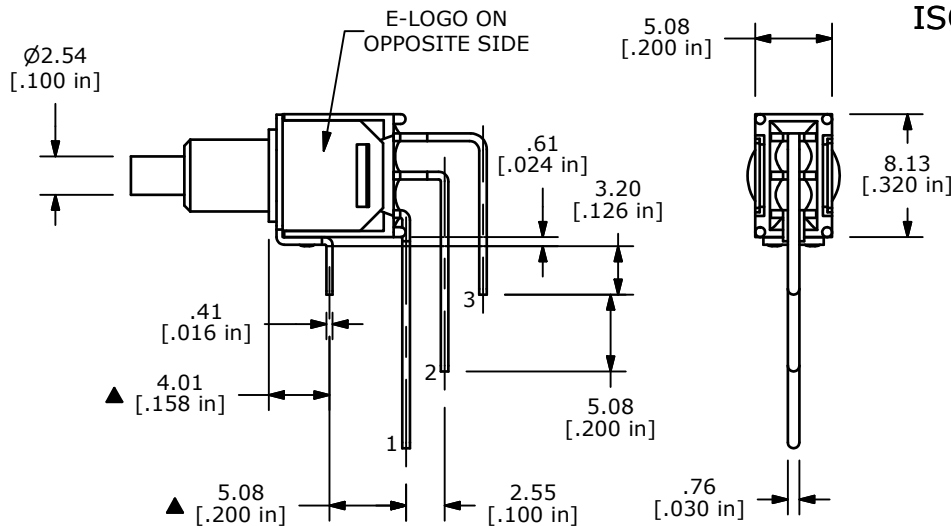
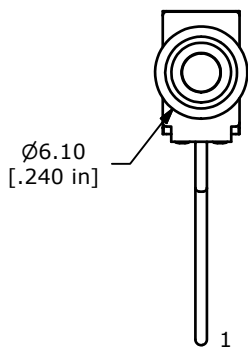
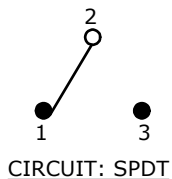


| SWITCH FUNCTION |        |
|-----------------|--------|
| POS. 1          | POS. 2 |
|                 |        |
| ON              | (ON)   |
| 2-1             | 2-3    |

(ON)=MOMENTARY



NOTE:

1. ALL DIMENSIONS IN MM [INCH]
2. GENERAL TOLERANCE: X.X=±0.4  
X.XX=±0.25
3. TERMINAL NUMBERS FOR REF ONLY
- ▲ 4. CONTACT MATERIAL: COPPER ALLOY W/ GOLD PLATE OVER NICKEL PLATE
- ▲ 5. RATING: 0.4VA @ 20V AC OR DC MAX.
6. MECHANICAL LIFE: 50,000 MAKE-AND-BREAK CYCLES
7. CONTACT RESISTANCE: 20 mΩ MAX. INITIAL @ 2-4VDC  
100mA FOR BOTH GOLD AND SILVER CONTACTS
8. INSULATION RESISTANCE: 1,000 MEGA-OHM MIN.
9. ELECTRIC STRENGTH: 1,000 V RMS @SEA LEVEL.
10. OPERATING TEMP.: -30°C to 85°C
11. ▲ DENOTES CRITICAL PARAMETER.
12. 2002/95/EC (ROHS) COMPLIANT

|                    |                 |       |             |       |
|--------------------|-----------------|-------|-------------|-------|
|                    |                 |       |             |       |
| TITLE 800SP8B7M7RE |                 |       |             |       |
| SCALE 2:1          | DATE 11/30/2006 | DR TN | DWG T822010 | REV E |

|     |        |                     |          |     |
|-----|--------|---------------------|----------|-----|
| E   | 20033  | UPDATE DRAWING      | 06/28/11 | BMA |
| D   | 16718  | REVISED AND REDRAWN | 11/30/06 | TN  |
| REV | PCR NO | DESCRIPTION         | DATE     | BY  |

THE INFORMATION CONTAINED IN THIS DOCUMENT IS PROPRIETARY TO E-SWITCH AND IS NOT TO BE COPIED OR TRANSFERRED