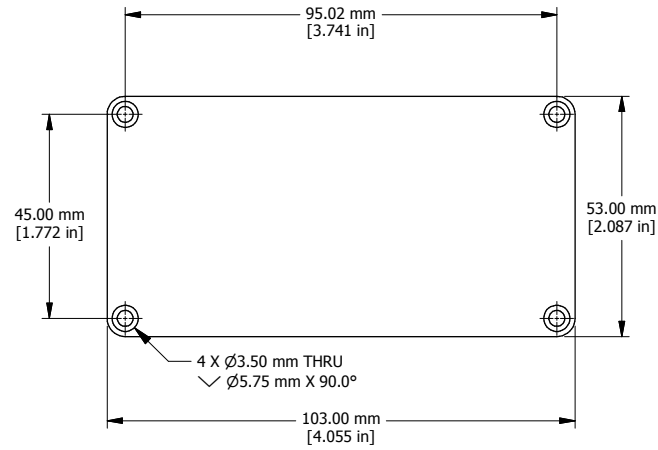
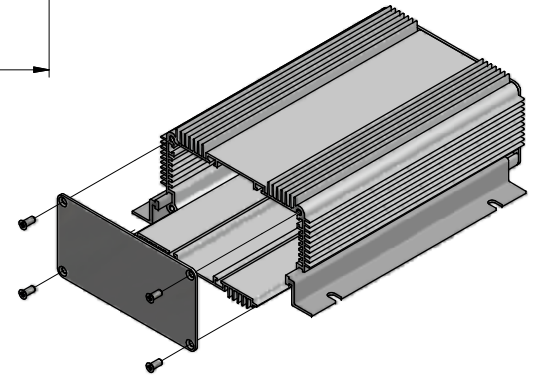
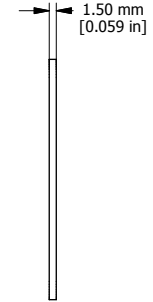


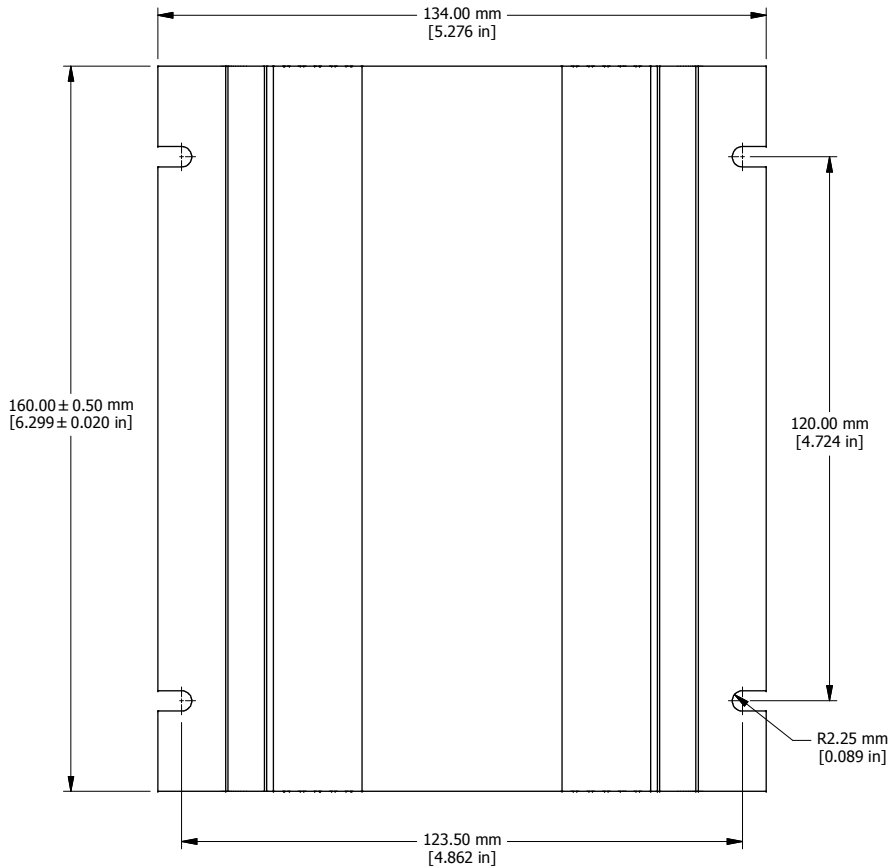
EXTRUSION



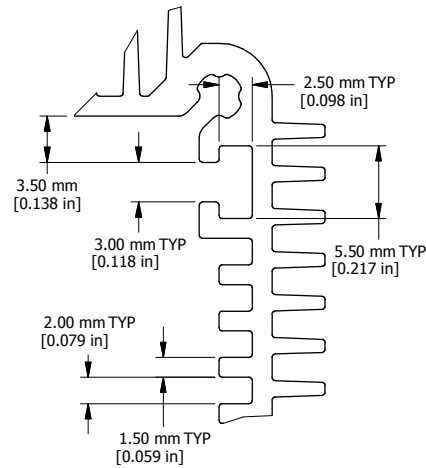
END PLATE



EXPLODED ISOMETRIC VIEW



EXTRUSION DESIGNED FOR 100MM WIDE PC BOARD



DETAIL A

Enclosures can be Factory Modified (Milling, Drilling, Printing etc.)
 Solid models of this enclosure available in STEP or IGES.
 Contact Factory mjm@hammondmfg.com

NOTE
 Purchased assembly includes box, aluminum end panels, #6
 Taptight screws and mounting flanges.
 Box made from Extruded Aluminum 6063.

1455NHD1601	
PART NUMBERS	
Clear Anodized	1455NHD1601
Black Anodized	1455NHD1601BK
ACCESSORIES	
See website for accessories.	

HAMMOND MANUFACTURING™
1455NHD1601
www.hammondmfg.com