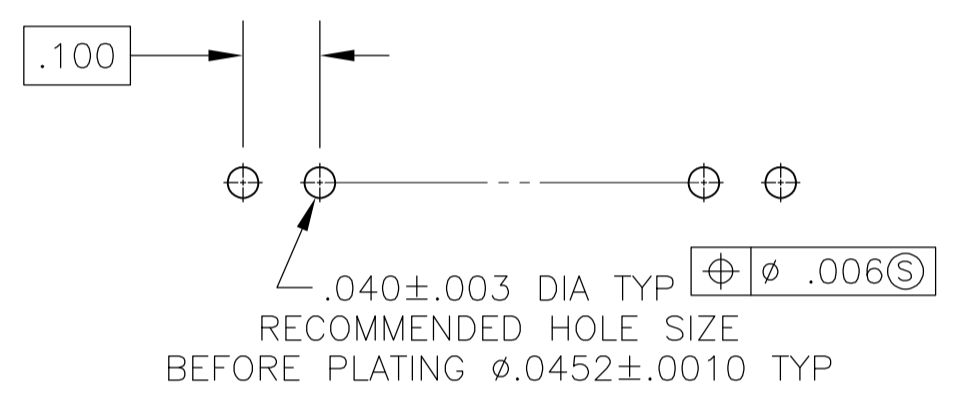
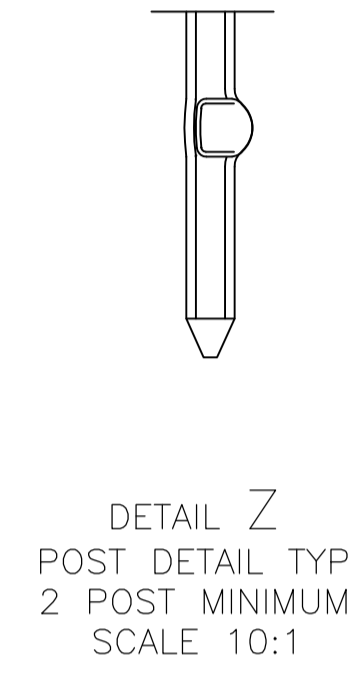
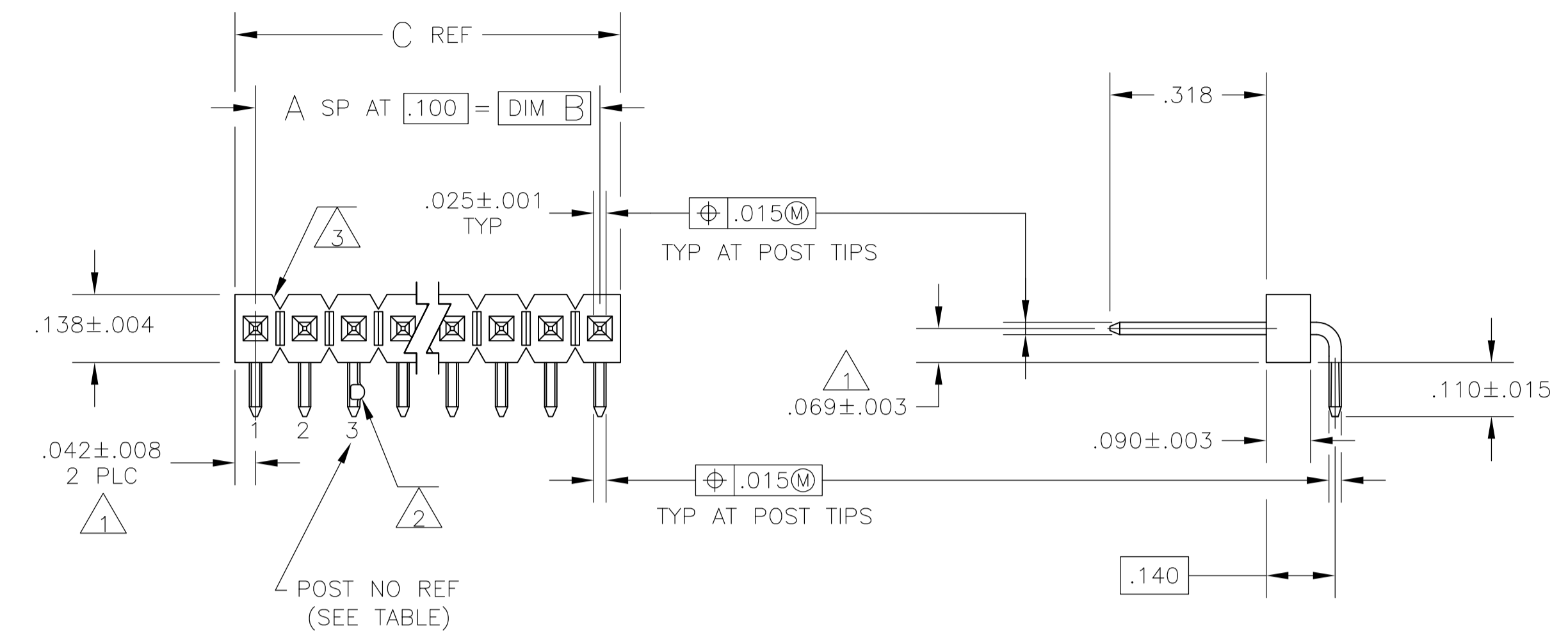


LOC		DIST		REVISIONS				
AD	00	REV	DATE	BY	CHK	APP'D		
F	EC	063C	0195	05	31MAY05	BSV	JLG	
F1		REVISED PER ECO-09-020689			28AUG09	KK	AEG	



RECOMMENDED HOLE LAYOUT

- 1 THE NOTED DIMENSIONS APPLY AT THE INTERSECTION OF THE POST AND THE HOUSING
- 2 SELECTIVE POSTS ARE FORMED TO PROVIDE CONNECTOR RETENTION TO PC BOARD UNTIL SOLDERED. RETENTION FEATURE IS FOR .055 MINIMUM PC BOARD THICKNESS. SEE DETAIL Z FOR FORM AND TABLE FOR LOCATIONS.
- 3 BREAKAWAY NOTCH ANGLE CAN BE ORIENTED TO THE RIGHT (AS SHOWN) OR TO THE LEFT
- 4 POSTS: .000100-.000200 MATTE TIN-LEAD, ALL OVER .000050 NICKEL
- 5 POSTS: .000100-.000200 MATTE TIN, ALL OVER .000050 NICKEL
- 6 OBSOLETE PARTS: OBSOLETE CIS STREAMLINING PER D.RENAUD/D.SINISI

PLATING	HOLD-DOWN POST CONFIG LOCATIONS	C	B	A	NO OF POSN	ASSEMBLY PART NUMBER
5	1,2,3,4,37,38,39,40	3.984	3.900	39	40	7-104431-7
5	1,2,3,4,32,33,34,35	3.484	3.400	34	35	7-104431-6
5	1,2,3,4,27,28,29,30	2.984	2.900	29	30	7-104431-5
5	1,2,3,4,23,24,25,26	2.584	2.500	25	26	7-104431-4
5	1,2,3,4,22,23,24,25	2.484	2.400	24	25	7-104431-3
5	1,2,3,4,21,22,23,24	2.384	2.300	23	24	7-104431-2
5	1,2,3,4,20,21,22,23	2.284	2.200	22	23	7-104431-1
5	1,2,3,4,19,20,21,22	2.184	2.100	21	22	7-104431-0
5	1,2,3,4,18,19,20,21	2.084	2.000	20	21	6-104431-9
5	1,2,3,4,17,18,19,20	1.984	1.900	19	20	6-104431-8
5	1,2,3,4,16,17,18,19	1.884	1.800	18	19	6-104431-7
5	1,2,3,4,15,16,17,18	1.784	1.700	17	18	6-104431-6
5	1,2,3,4,14,15,16,17	1.684	1.600	16	17	6-104431-5
5	1,2,3,4,13,14,15,16	1.584	1.500	15	16	6-104431-4
5	1,2,3,4,12,13,14,15	1.484	1.400	14	15	6-104431-3
5	1,2,3,4,11,12,13,14	1.384	1.300	13	14	6-104431-2
5	1,2,3,4,10,11,12,13	1.284	1.200	12	13	6-104431-1
5	1,2,3,4,9,10,11,12	1.184	1.100	11	12	6-104431-0
5	1,2,3,4,8,9,10,11	1.084	1.000	10	11	5-104431-9
5	1,2,3,4,7,8,9,10	.984	.900	9	10	5-104431-8
5	1,2,3,4,6,7,8,9	.884	.800	8	9	5-104431-7
5	1,2,3,4,5,6,7,8	.784	.700	7	8	5-104431-6
5	1,2,3,4,5,6,7	.684	.600	6	7	5-104431-5
5	1,2,3,4,5,6	.584	.500	5	6	5-104431-4
5	1,2,3,4,5	.484	.400	4	5	5-104431-3
5	1,2,3,4	.384	.300	3	4	5-104431-2
5	1,2,3	.284	.200	2	3	5-104431-1
4	1,2,3,4,37,38,39,40	3.984	3.900	39	40	2-104431-7
4	1,2,3,4,32,33,34,35	3.484	3.400	34	35	2-104431-6
4	1,2,3,4,27,28,29,30	2.984	2.900	29	30	2-104431-5
4	1,2,3,4,23,24,25,26	2.584	2.500	25	26	2-104431-4
4	1,2,3,4,22,23,24,25	2.484	2.400	24	25	2-104431-3
4	1,2,3,4,21,22,23,24	2.384	2.300	23	24	2-104431-2
4	1,2,3,4,20,21,22,23	2.284	2.200	22	23	2-104431-1
4	1,2,3,4,19,20,21,22	2.184	2.100	21	22	2-104431-0
4	1,2,3,4,18,19,20,21	2.084	2.000	20	21	1-104431-9
4	1,2,3,4,17,18,19,20	1.984	1.900	19	20	1-104431-8
4	1,2,3,4,16,17,18,19	1.884	1.800	18	19	1-104431-7
4	1,2,3,4,15,16,17,18	1.784	1.700	17	18	1-104431-6
4	1,2,3,4,14,15,16,17	1.684	1.600	16	17	1-104431-5
4	1,2,3,4,13,14,15,16	1.584	1.500	15	16	1-104431-4
4	1,2,3,4,12,13,14,15	1.484	1.400	14	15	1-104431-3
4	1,2,3,4,11,12,13,14	1.384	1.300	13	14	1-104431-2
4	1,2,3,4,10,11,12,13	1.284	1.200	12	13	1-104431-1
4	1,2,3,4,9,10,11,12	1.184	1.100	11	12	1-104431-0
4	1,2,3,4,8,9,10,11	1.084	1.000	10	11	104431-9
4	1,2,3,4,7,8,9,10	.984	.900	9	10	104431-8
4	1,2,3,4,6,7,8,9	.884	.800	8	9	104431-7
4	1,2,3,4,5,6,7,8	.784	.700	7	8	104431-6
4	1,2,3,4,5,6,7	.684	.600	6	7	104431-5
4	1,2,3,4,5,6	.584	.500	5	6	104431-4
4	1,2,3,4,5	.484	.400	4	5	104431-3
4	1,2,3,4	.384	.300	3	4	104431-2
4	1,2,3	.284	.200	2	3	104431-1

THIS DRAWING IS A CONTROLLED DOCUMENT.

DIMENSIONS: INCHES	TOLERANCES UNLESS OTHERWISE SPECIFIED:	DIN H MOLL 28JUN88		Tyco Electronics Corporation Harrisburg, Pa 17105-3608
0 PLC ± -	1 PLC ± -	28JUN88		NAME
2 PLC ± -	3 PLC ± .005	28JUN88	PRODUCT SPEC	HEADER ASSY, MOD II, BREAKAWAY, SINGLE ROW, .100CL, RT ANGLE, .025 SQ POSTS, WITH HOLD-DOWN CONFIG
4 PLC ± -	ANGLES ± -		APPLICATION SPEC	SIZE CAGE CODE DRAWING NO RESTRICTED TO
MATERIAL HOUSING: FLAME RETARDANT THERMOPLASTIC COLOR: BLACK	FINISH SEE TABLE	WEIGHT -	WEIGHT -	A1 00779 104431
CUSTOMER DRAWING			SCALE 4:1	SHEET 1 OF 1 REV F1