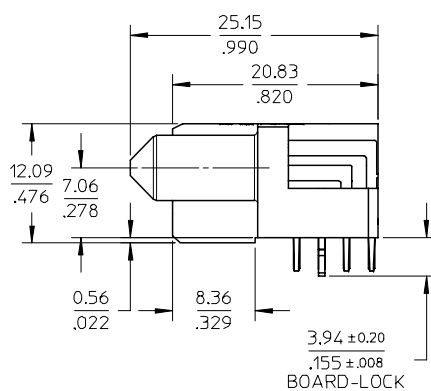
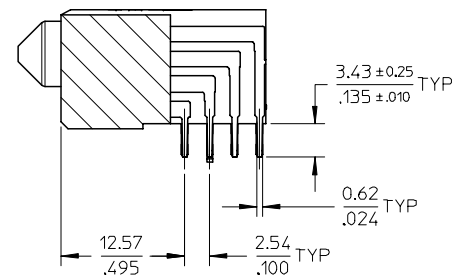
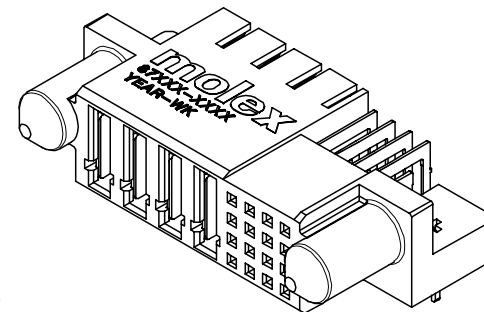


SECTION B-B

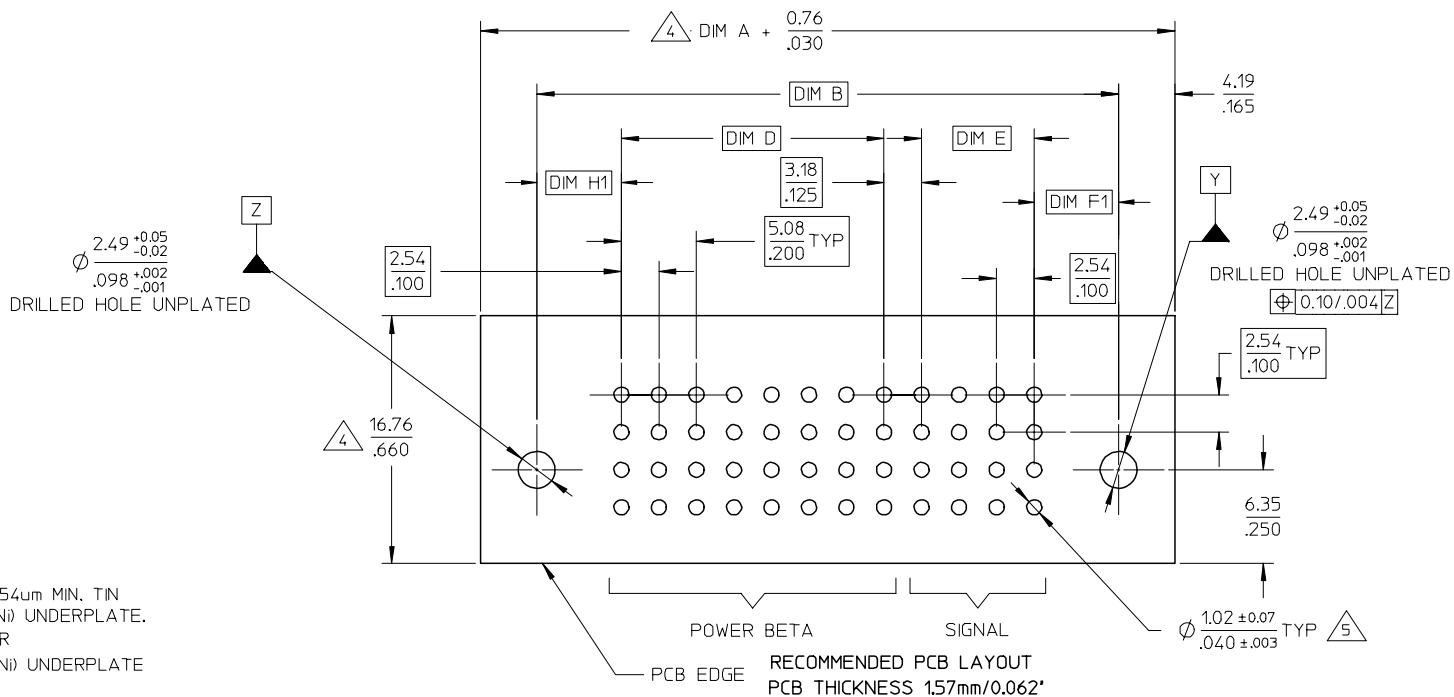


SECTION A-A



OBS TIN/LEAD P/N EC NO: S2006-0807 DRWN:MLONG CHKD:CGOH APPR:PTLIM	REV DESCRIPTION	QUALITY SYMBOLS	GENERAL TOLERANCES (UNLESS SPECIFIED)	DIMENSION STYLE	SCALE	DESIGN UNITS	THIRD ANGLE PROJECTION																		
		$\nabla=0$ $\triangle=0$	<table border="1"> <thead> <tr> <th></th> <th>MM</th> <th>INCH</th> </tr> </thead> <tbody> <tr> <td>4 PLACES</td> <td>± ---</td> <td>± ---</td> </tr> <tr> <td>3 PLACES</td> <td>± ---</td> <td>± .010</td> </tr> <tr> <td>2 PLACES</td> <td>± 0.25</td> <td>± ---</td> </tr> <tr> <td>1 PLACE</td> <td>± ---</td> <td>± ---</td> </tr> </tbody> </table>		MM	INCH	4 PLACES	± ---	± ---	3 PLACES	± ---	± .010	2 PLACES	± 0.25	± ---	1 PLACE	± ---	± ---	MM/IN	NTS	METRIC				
			MM	INCH																					
		4 PLACES	± ---	± ---																					
3 PLACES	± ---	± .010																							
2 PLACES	± 0.25	± ---																							
1 PLACE	± ---	± ---																							
<table border="1"> <thead> <tr> <th>DRAWN BY</th> <th>DATE</th> <th>TITLE</th> </tr> </thead> <tbody> <tr> <td>BHLOW</td> <td>2003/04/24</td> <td>POWER CONN RECEPTACLE 5.08MM VERSION S-P(B), R/A, T/H</td> </tr> <tr> <td>CHECKED BY</td> <td>DATE</td> <td></td> </tr> <tr> <td>PTLIM</td> <td>2003/05/06</td> <td></td> </tr> <tr> <td>APPROVED BY</td> <td>DATE</td> <td></td> </tr> <tr> <td>SKTOH</td> <td>2003/05/07</td> <td></td> </tr> </tbody> </table>	DRAWN BY	DATE	TITLE	BHLOW	2003/04/24	POWER CONN RECEPTACLE 5.08MM VERSION S-P(B), R/A, T/H	CHECKED BY	DATE		PTLIM	2003/05/06		APPROVED BY	DATE		SKTOH	2003/05/07		<table border="1"> <thead> <tr> <th>MATERIAL NO.</th> <th>DOCUMENT NO.</th> <th>SHEET NO.</th> </tr> </thead> <tbody> <tr> <td>SEE TABLE</td> <td>SD-87808-001</td> <td>1 OF 2</td> </tr> </tbody> </table>	MATERIAL NO.	DOCUMENT NO.	SHEET NO.	SEE TABLE	SD-87808-001	1 OF 2
DRAWN BY	DATE	TITLE																							
BHLOW	2003/04/24	POWER CONN RECEPTACLE 5.08MM VERSION S-P(B), R/A, T/H																							
CHECKED BY	DATE																								
PTLIM	2003/05/06																								
APPROVED BY	DATE																								
SKTOH	2003/05/07																								
MATERIAL NO.	DOCUMENT NO.	SHEET NO.																							
SEE TABLE	SD-87808-001	1 OF 2																							
		DRAFT WHERE APPLICABLE MUST REMAIN WITHIN DIMENSIONS	SIZE A3	THIS DRAWING CONTAINS INFORMATION THAT IS PROPRIETARY TO MOLEX INCORPORATED AND SHOULD NOT BE USED WITHOUT WRITTEN PERMISSION																					

ASSEMBLY PART NUMBER	P-S CONFIGURATION		RECESSED POWER CIRCUIT #	DIM A	DIM B	DIM C	DIM D	DIM E	DIM H	DIM H1	DIM F	DIM F1	PACKAGING
	POWER BETA	SIGNAL											
87808-3001	6	16	NIL	58.42 2.300	50.80 2.000	49.53 1.950	27.94 1.100	7.62 .300	6.98 .275	6.35 .250	5.08 .200	5.72 .225	TRAY
87808-3003	6	24	NIL	63.51 2.500	55.81 2.200	54.61 2.150	27.94 1.100	12.70 .500	6.98 .275	6.35 .250	5.08 .200	5.72 .225	TRAY



NOTES

1. MATERIALS :

HOUSING - LCP, GLASS FILLED, UL94V-0,  
 COLOR : BLACK.  
 SIGNAL TERMINAL - COPPER ALLOY  
 POWER TERMINAL - COPPER ALLOY  
 BOARD-LOCK - COPPER ALLOY

2. FINISH :-

SIGNAL & POWER CONTACTS  
 0.76um MIN. GOLD (Au) AT CONTACT AREA AND 2.54um MIN. TIN  
 AT SOLDER TAIL AREA OVER 1.27um MIN. NICKEL (Ni) UNDERPLATE.  
 BOARD-LOCK - 2.54 MICROMETER MINIMUM TIN OVER  
 1.27 MICROMETER MINIMUM NICKEL (Ni) UNDERPLATE

3. PRODUCT SPECIFICATION : PS-87805-006

△ COMPONENT STAY AWAY ZONE FROM CONNECTOR.

△ PCB NOTE FOR DIAMETER 1.02/.040 PLATED HOLE

- DRILLED HOLE SIZE IS 1.151/.0453  
 - PLATE WITH 0.007/.0003 MINIMUM TIN OVER 0.03/.001 TO 0.08/.003  
 COPPER PLATING TO ACHIEVE 1.02±0.08/.040±.003 HOLE.

6. ALL TERMINAL TIPS ARE DESIGNED WITH EXPOSE BASE COPPER.

THIS IS CREATED BY FINAL CUTTING PROCESS.

△ MANUFACTURER LOGO, PART NUMBER AND YEAR-WEEK CODE.

△ 4 POWER BETA - 16 SIGNAL IS SHOWN FOR ILLUSTRATION.

POWER-SIGNAL CONFIGURATION IS AVAILABLE UP TO 203MM/8INCH.

PLEASE CONTACT MOLEX SALES PERSONNEL FOR OTHER CONFIGURATION  
 AND OPTION NEEDED.

OBS TIN/LEAD P/N EC NO: S2006-0807 DRWN:MLONG CHKD:CGOH APPR:PTLIM	REV	DESCRIPTION	QUALITY SYMBOLS ▽=0 △=0	GENERAL TOLERANCES (UNLESS SPECIFIED)		DIMENSION STYLE MM/IN		SCALE	DESIGN UNITS	THIRD ANGLE PROJECTION	
				mm	INCH	MM/IN	NTS	METRIC			
				4 PLACES ± ---	± ---	DRAWN BY	DATE	TITLE			
				3 PLACES ± ---	± .010	BHLOW	2003/04/24	POWER CONN RECEPTACLE 5.08MM VERSION S-P(B), R/A, T/H			
				2 PLACES ± 0.25	± ---	CHECKED BY	DATE	MOLEX INCORPORATED			
				1 PLACE ± ---	± ---	PTLIM	2003/05/06	SD-87808-001		SHEET NO. 2 OF 2	
				ANGULAR ± 3°		APPROVED BY	DATE	DOCUMENT NO.			
				DRAFT WHERE APPLICABLE MUST REMAIN WITHIN DIMENSIONS		SKTOH	2003/05/07	SD-87808-001			
						MATERIAL NO.		SD-87808-001			
						SIZE	A3	THIS DRAWING CONTAINS INFORMATION THAT IS PROPRIETARY TO MOLEX INCORPORATED AND SHOULD NOT BE USED WITHOUT WRITTEN PERMISSION			