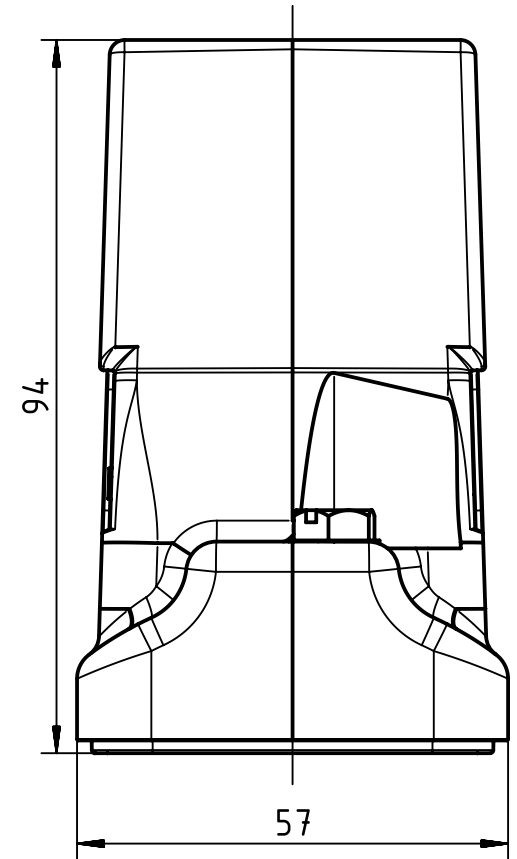
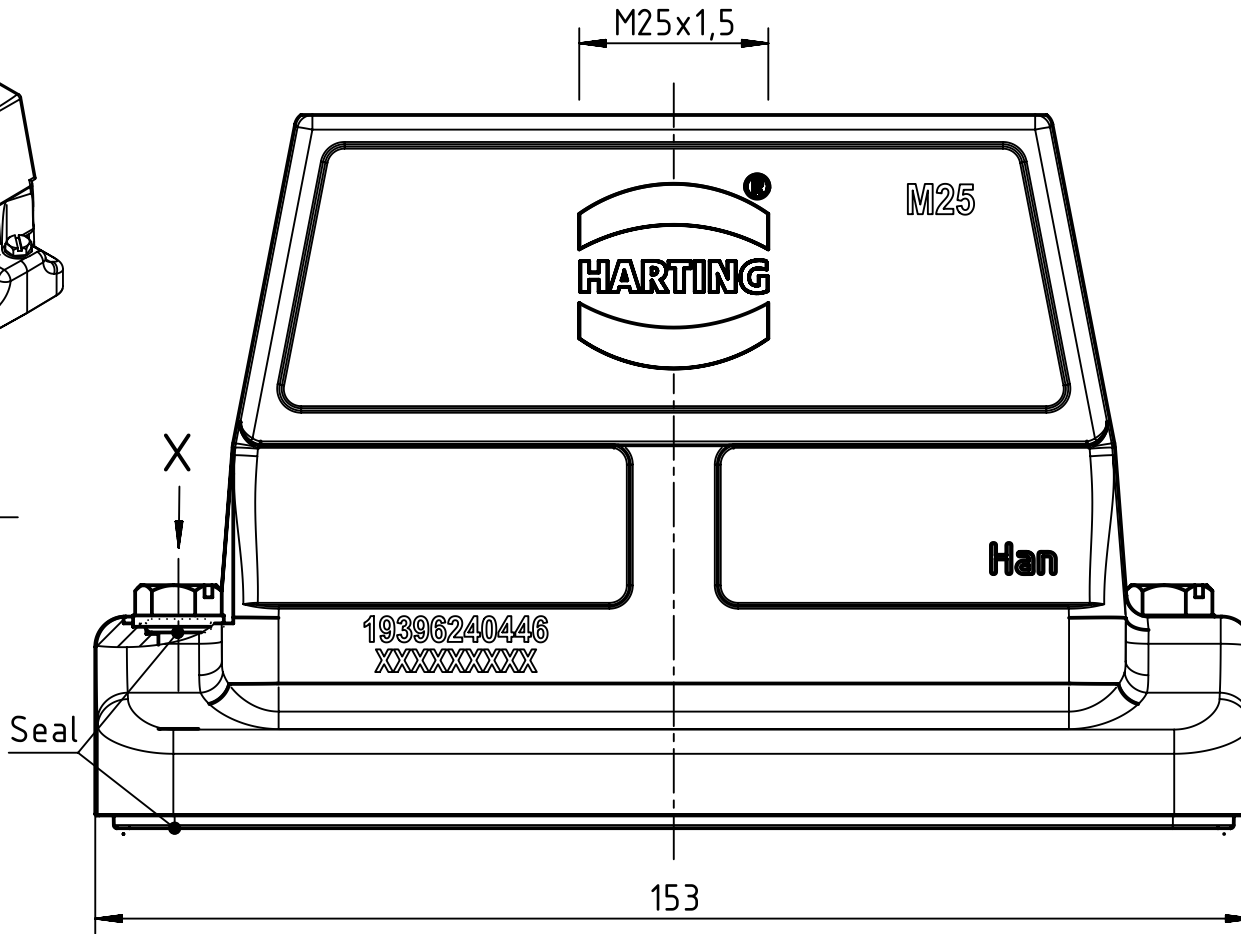
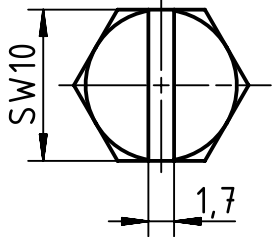
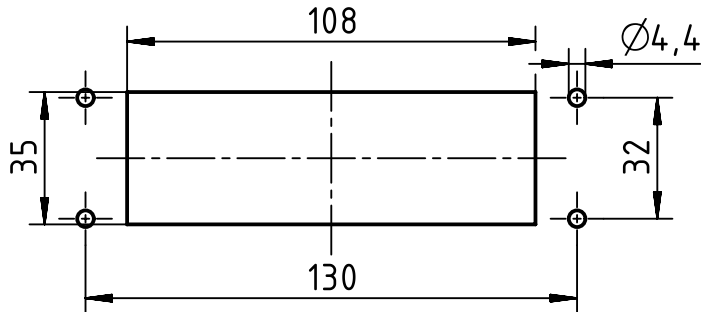


X (2:1)



Panel cut out (1:2)



	All Dimensions in mm Original Size DIN A4		Scale 1:1	Free size tol.		Ref.
			Created by LONGL	Inspected by WENE	Standardisation SCHMIDTM	Sub.
All rights reserved Department EL PD - CN		Title <b>Han 24HP Direct/B-HTE-M25</b>		Date 2017-03-20	State Final Release	
HARTING (Zhuhai) Manufacturing Co., Ltd. 519085 Zhuhai, China		Type <b>TB</b>		Number <b>19 39 624 0446</b>		Doc-Key / ECM-Nr. 100632601/UGD/003/D 500000116962
					Rev. <b>D</b>	Page 1/1