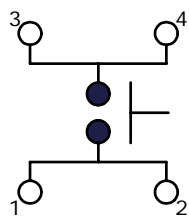
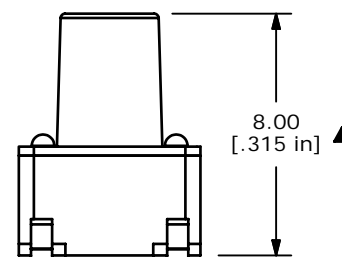
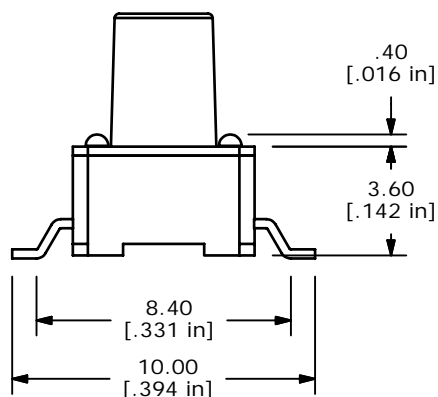


ISOMETRIC



CIRCUIT: SPST



NOTES:

1. ALL DIMENSIONS IN MM
2. GENERAL TOLERANCE: X.X=±0.4
X.XX=±0.25
3. TERM. NOS. FOR REFERENCE ONLY.
4. RATING: 12VDC, 50mA
5. OPERATING FORCE: 100 ± 50gf
- ▲ 6. TRAVEL: 0.25mm +0.2/-0.1
7. CONTACT RESISTANCE: 100mΩ MAX. (INITIAL)
8. MECHANICAL/ELECTRICAL LIFE: 100,000 CYCLES.
- ▲ 9. CONTACT MATERIAL: SILVER
- ▲ 10. PACKAGE: 750 PIECE POLY BAG
11. ▲ DENOTES CRITICAL PARAMETER
12. 2002/95/EC (ROHS) COMPLIANT

REV	PCR NO	DESCRIPTION	DATE	BY
D	16684	UPDATED NOTES FIXED DRAWING	11/21/2006	TN
C	15357	CHANGED PACKAGING INFO	9/30/05	PH
B	15344	CHANGED PACKAGING INFO	9/28/05	PH
A	14995	RELEASED FOR PRODUCTION	6/16/05	JB

E-SWITCH®

TITLE TL3301CF100QG

SCALE	DATE	DR	DWG	REV
4:1	11/21/2006	TN	P314000	D

THE INFORMATION CONTAINED IN THIS DOCUMENT IS PROPRIETARY TO E-SWITCH AND IS NOT TO BE COPIED OR TRANSFERRED