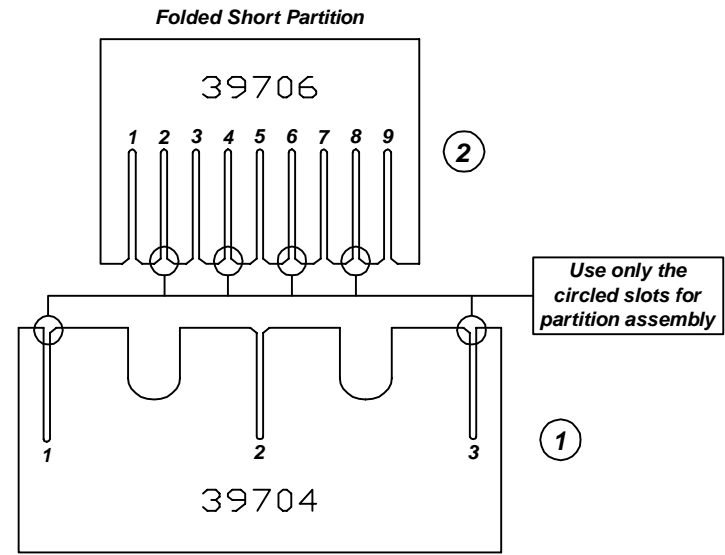
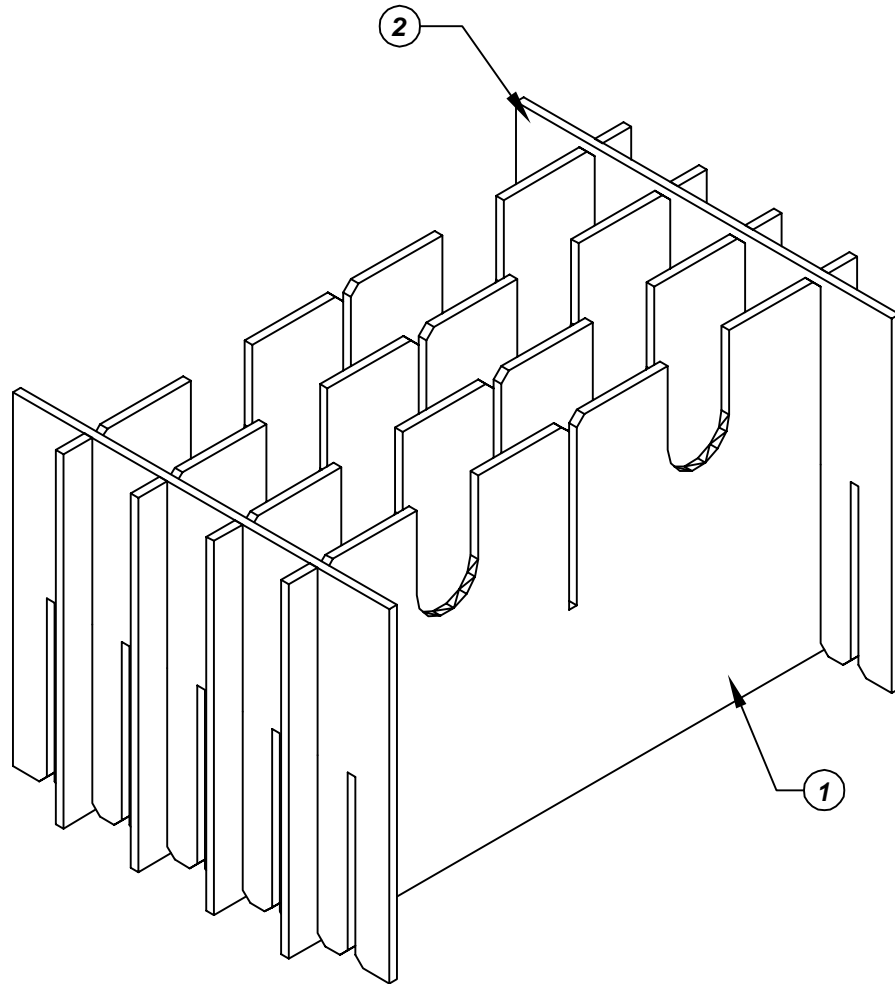
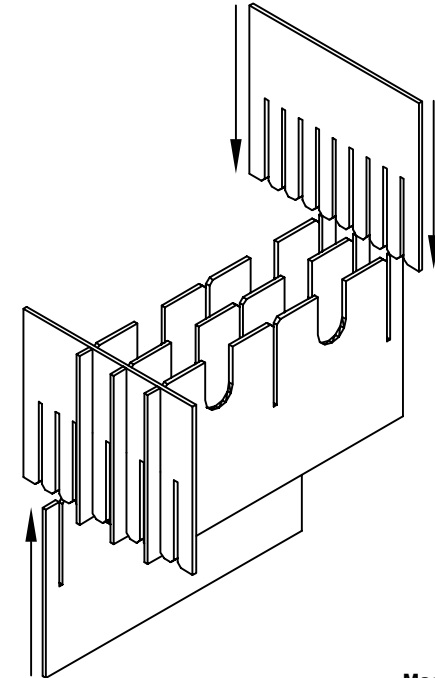


Assembly Instructions for - 37325



Folded Long Partition



Made in America

F/N ①	Part # 39704	Dimensions: 21-3/8" x 18-1/2"	Description: 459/452/455-LP Long Partition	Qty: 4
F/N ②	Part # 39706	Dimensions: 21-3/8" x 12-1/4"	Description: 459-SP Short Partition	Qty: 2

Notes:
For use with the following storage container & lid:
37523 - Storage Container
37553 - Lid

PROTEKTIVE PAK
13520 MONTE VISTA AVENUE, CHINO, CA 91710
PHONE (909) 627-2578, FAX (909) 363-7331
ProtektivePak.com



DRAWING NUMBER
IPH-37325

DATE
Dec.
2007

37325 - 5 Cell Inplant Handler
Cell Size - 10-3/4" x 16" x 2-1/4"