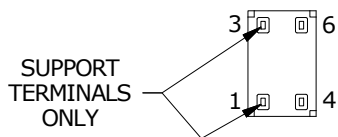
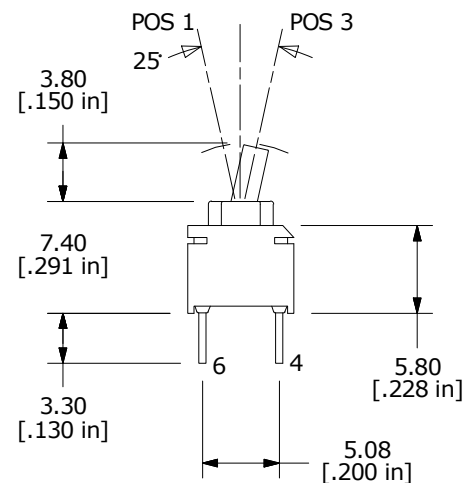
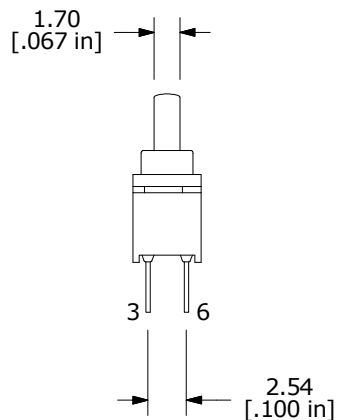
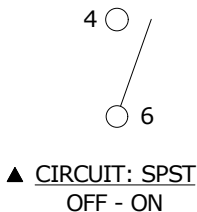


SWITCH FUNCTION		
POS. 1	POS. 2	POS. 3
ON	NONE	OFF
4-6	N/A	OPEN



- NOTE:
- ALL DIMENSIONS IN MM [INCH]
 - GENERAL TOLERANCE: X.X = ±0.4
X.XX = ±0.25
 - TERMINAL NUMBERS FOR REF ONLY
 - STATIONARY CONTACTS: COPPER ALLOY W/ GOLD PLATING
 - MOVING CONTACT: COPPER ALLOY W/ GOLD PLATING
 - RATING: 0.4 VA max. @ 20V AC OR DC max.
 - CONTACT RESISTANCE: <100 MILLI-OHM
 - MECHANICAL LIFE: 40,000 MAKE-AND-BREAK CYCLES.
 - INSULATION RESISTANCE: 500 MEGA-OHM min.
 - DIELECTRIC STRENGTH: 500 V RMS @SEA LEVEL.
 - OPERATING TEMP.: -30°C to 85°C
 - ▲ DENOTES CRITICAL PARAMETER.
 - SEAL RATING: IP67
 - 2011/65/EU (ROHS) COMPLIANT

H	22815	correct Switch Function detail	4/20/17	MW
G	22807	correct Switch Function detail	4/13/17	MW
F	22739	correct PC Mounting detail	2/24/17	MW
E	21332	REMOVE PACKAGING NOTE	12/17/13	EBP
D	19874	CORRECT TITLE OF SWITCH FUNCTION	04/25/11	BMA
C	19633	CORRECT SWITCH FUNCTION	01/31/11	BMA
B	19606	UPDATE PLATING NOTE	01/20/11	BMA
REV	PCR NO	DESCRIPTION	DATE	BY

THE INFORMATION CONTAINED IN THIS DOCUMENT IS PROPRIETARY TO E-SWITCH AND IS NOT TO BE COPIED OR TRANSFERRED



TITLE 200USP9T1A1M2RE

SCALE	DATE	DR	DWG	REV
2:1	12/2/2010	BMA	T250008	H