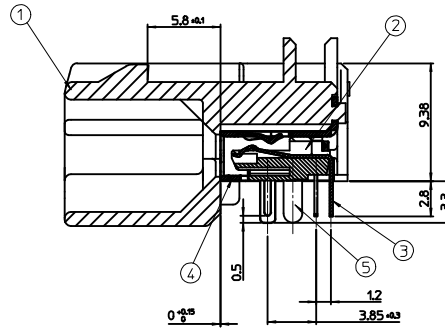
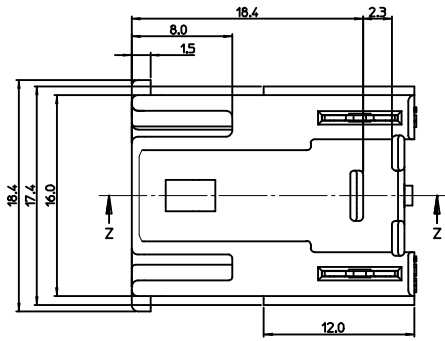
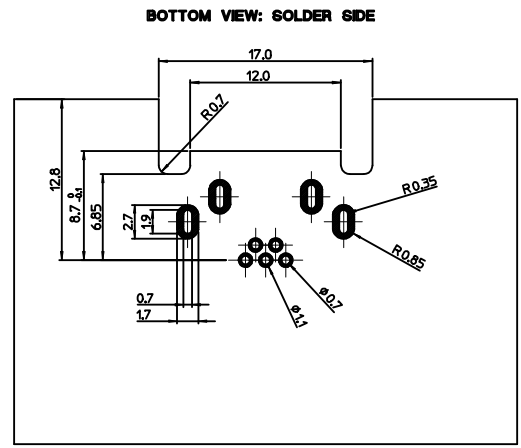
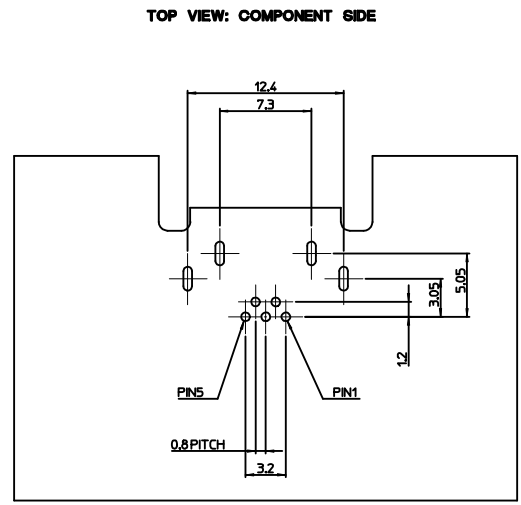
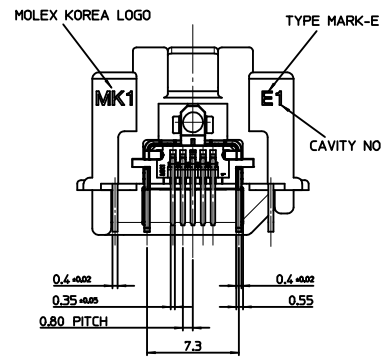
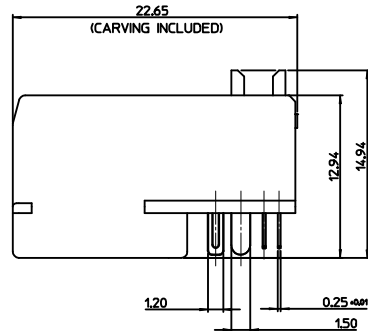
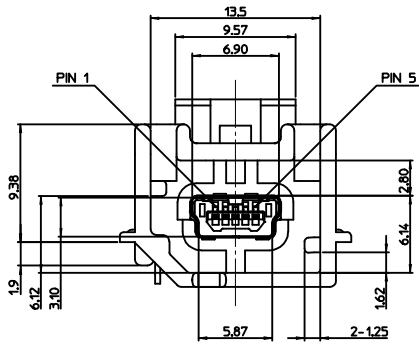


ISOVIEW



SECTION Z-Z



GENERAL TOLERANCE : ±0.05

RECOMMENDED PCB LAYOUT

- NOTES
- MATES WITH :  
(MOLEX SERIES NO. : 111014, 111015, 111005, 111041, 111019, 111020)
  - SHROUD GEOMETRY AND ASSEMBLY WITH USB MINI-B CONNECTOR ARE ACCORDING TO USCAR STD 999-U-USB-Z01
  - FINISHES
    - TERMINAL :  
CONTACT AREA : GOLD 0.75µm MIN.  
SOLDER TAIL AREA : TIN 3.8µm MIN.  
UNDER PLATING : NI 1.25µm MIN.
    - SHIELD CASE :  
3.0µm MIN. TIN OVER NI 1.0µm MIN.
    - FITTING NAIL :  
3.0µm MIN. TIN OVER NI 1.0µm MIN.
  - UNLESS OTHERWISE SPECIFIED, TYPICAL RECOMMENDED PCB MANUFACTURING TOLERANCE IS ±0.05
  - PCB THICKNESS : 1.6mm(REFERENCE)

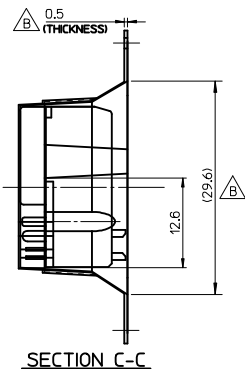
<PART LIST>

NO.	PART NAME	MATERIALS
①	SHROUD	SPS, GLASS FILLED, UL94 HB
②	REC. HOUSING	LCP, GLASS FILLED, UL94 V-0
③	TERMINAL	COPPER ALLOY
④	SHIELD CASE	PHOSPHOR BRONZE
⑤	FITTING NAIL	BRASS

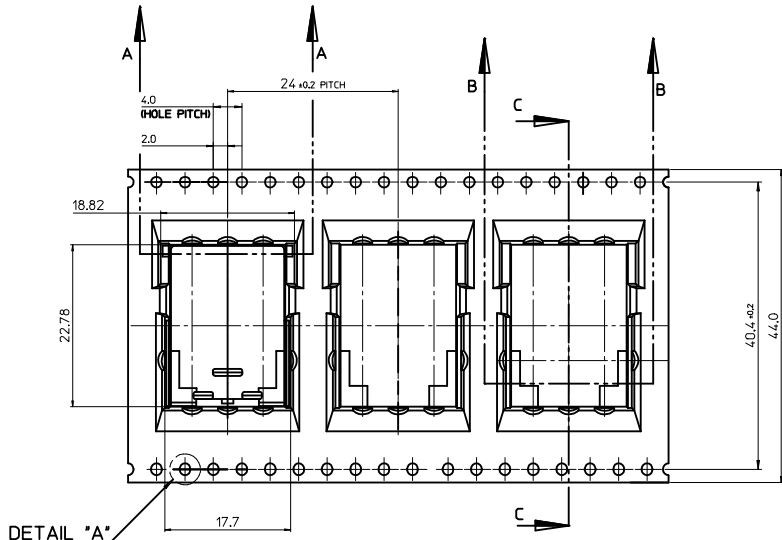
<TABLE 1>

MATERIAL NO.	ORDER NO.	PACKAGING	COLOR
1040870924	104087-0924	TAPE & REEL	BLUE

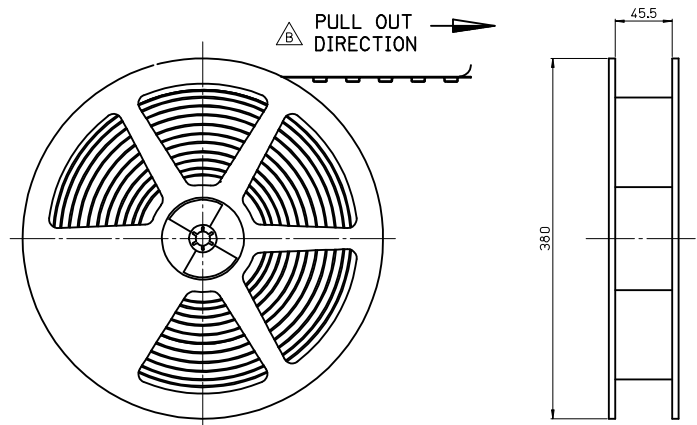
DRAWING ERROR EC NO: K1R207-0033 DRAWING NO: 2017/01/14 CHKD: CHKD: APPR: JIJIANG REV	QUALITY SYMBOLS	GENERAL TOLERANCES (UNLESS SPECIFIED)	DIMENSION STYLE	SCALE	DESIGN UNITS	THIRD ANGLE PROJECTION
	▽=0	mm INCH	MM ONLY	5:1	METRIC	
	▽=0.1	4 PLACES ± --- ± ---	DRAWN BY	DATE	TITLE	
	▽=0.2	3 PLACES ± --- ± ---	HIMOON	2013/05/02	HSAUTOLINK R/A HEADER TYPE-E FOR HMI MODULE (TAPE & REEL PACKING)	
▽=0.3	2 PLACES ± 0.15 ± ---	CHECKED BY	DATE			
▽=0.4	1 PLACE ± 0.25 ± ---	BCYOON	2013/05/02			
▽=0.5	0 PLACE ± --- ± ---	APPROVED BY	DATE			
		JHBAE	2013/07/30			
		MATERIAL NO.	DOCUMENT NO.			
		SEE TABLE 1	SD-104087-008			
		THIS DRAWING CONTAINS INFORMATION THAT IS PROPRIETARY TO MOLEX INCORPORATED AND SHOULD NOT BE USED WITHOUT WRITTEN PERMISSION				



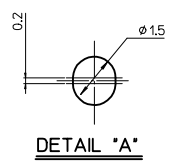
SECTION C-C



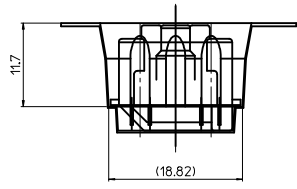
EMBOSS TAPE



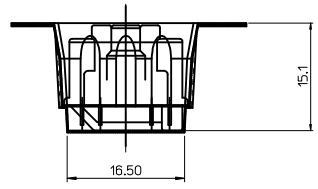
PLASTIC BOBBIN



DETAIL "A"



SECTION A-A



SECTION B-B

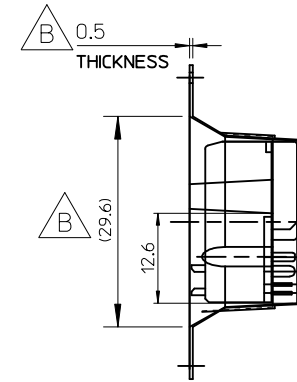
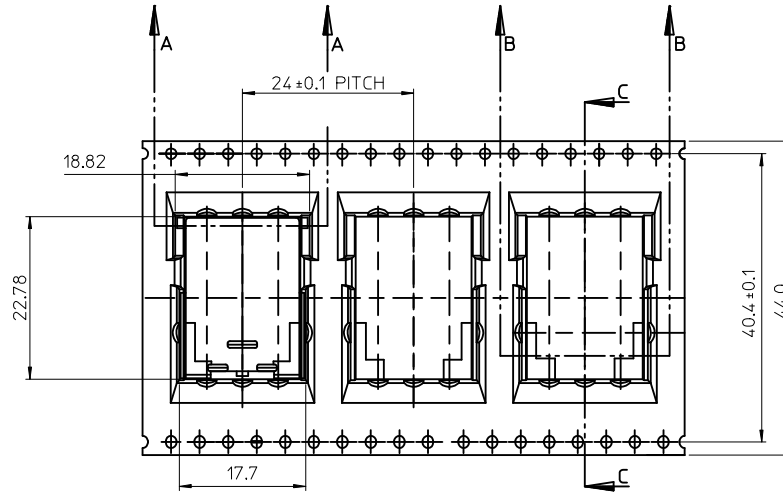
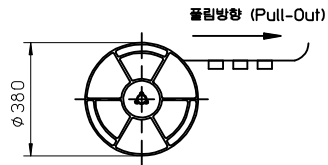
NOTES

1. QUANTITY OF CONNECTORS : 200EA/REEL
2. MATERIAL
  - EMBOSS TAPE : P.E.T ANTISTATIC
  - PASTIC BOBBIN : P.S
3. LEAD LENGTH
4. PEELING OFF FORCE OF COVER TAPE : 0.1N~0.59N(10.2GF~60GF)  
 (PEELING DIRECTION AS SHOW IN FOLLOW FIG.)  
 PEELING OFF SPEED : 300mm/Min.(Ref.)

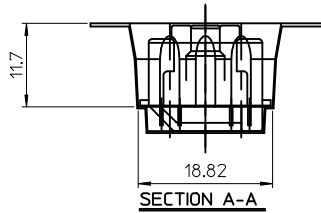
5. FLASH IN ANY PORTION SHOULD BE LESS THAN 0.20mm MAX.

<b>DRAWING ERROR</b> EC NO: KTR2017-0033 DRAWN: JMK/INO2 2017/01/14 CHKO: APPR: JHJANG 2017/03/20	QUALITY SYMBOLS	GENERAL TOLERANCES (UNLESS SPECIFIED)		DIMENSION STYLE MM ONLY		SCALE 5:1	DESIGN UNITS METRIC	THIRD ANGLE PROJECTION
	$\nabla=0$	mm	INCH	DRAWN BY HIMOON	DATE 2013/05/02	TITLE HSAUTOLINK R/A HEADER TYPE-E FOR HMI MODULE (TAPE & REEL PACKING)		
	$\nabla=0$	4 PLACES ± --- ± ---	3 PLACES ± --- ± ---	CHECKED BY BCYOON	DATE 2013/05/02			
	$\nabla=0$	2 PLACES ± 0.15 ± ---	1 PLACE ± 0.25 ± ---	APPROVED BY JHBAE	DATE 2013/07/30			
ANGULAR ± 1 °		DRAFT WHERE APPLICABLE MUST REMAIN WITHIN DIMENSIONS						

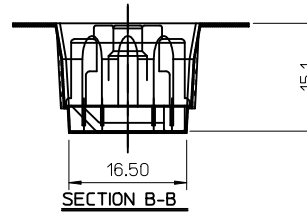
**B TAPING STYLE**



**SECTION C-C**



**SECTION A-A**



**SECTION B-B**

**NOTES**

1. MATERIAL
  - PLASTIC BOBBIN : P.S
  - CARRIER TAPE : P.E.T ANTISTATIC
- B** 2. THICKNESS : 0.5±0.05
3. PACKING QUANTITY : 200 PCS / 1 REEL

<TABLE>	
MATERIAL NO.	ORDER NO.
1040879002	104087-9002

**DRAWING ERROR**  
 EC NO: KTR2017-0033  
 DRWN: JMK/IM02 2017/01/14  
 CHKD:  
 APPR: JHJANG 2017/03/20

QUALITY SYMBOLS

GENERAL TOLERANCES (UNLESS SPECIFIED)

	mm	INCH
4 PLACES	± ---	± ---
3 PLACES	± ---	± ---
2 PLACES	± 0.15	± ---
1 PLACE	± 0.25	± ---
ANGULAR ± 1 °		

DRAFT WHERE APPLICABLE MUST REMAIN WITHIN DIMENSIONS

DIMENSION STYLE MM ONLY	
DRAWN BY	DATE
HIMOON	2013/05/02
CHECKED BY	DATE
BCYOON	2013/05/02
APPROVED BY	DATE
JHJANG	2017/03/20

MATERIAL NO.	
SEE TABLE	

SCALE	DESIGN UNITS METRIC	THIRD ANGLE PROJECTION
TITLE		
HSAUTOLINK R/A HEADER TYPE-E FOR HMI MODULE (TAPE & REEL PACKING)		
molex MOLEX INCORPORATED		

SIZE	DOCUMENT NO.	SHEET NO.
A4	SD-104087-011	1 OF 1
THIS DRAWING CONTAINS INFORMATION THAT IS PROPRIETARY TO MOLEX INCORPORATED AND SHOULD NOT BE USED WITHOUT WRITTEN PERMISSION		