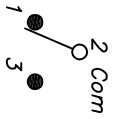


RECOMMENDED PCB LAYOUT



CIRCUIT: SPDT

SWITCH FUNCTION		
POS. 1	POS. 2	POS. 3
(DN)	OFF	(DN)
2-3	OPEN	2-1

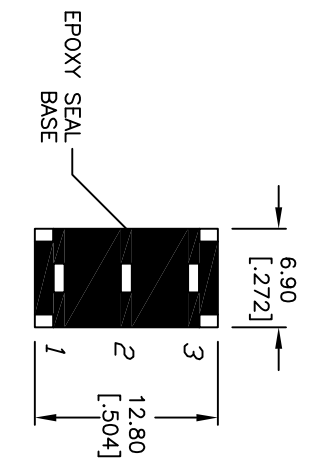
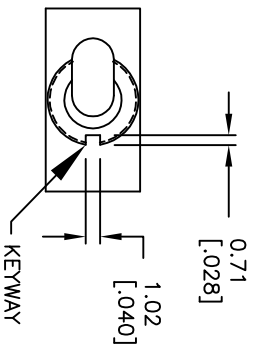
()=Momentary

NOTES:

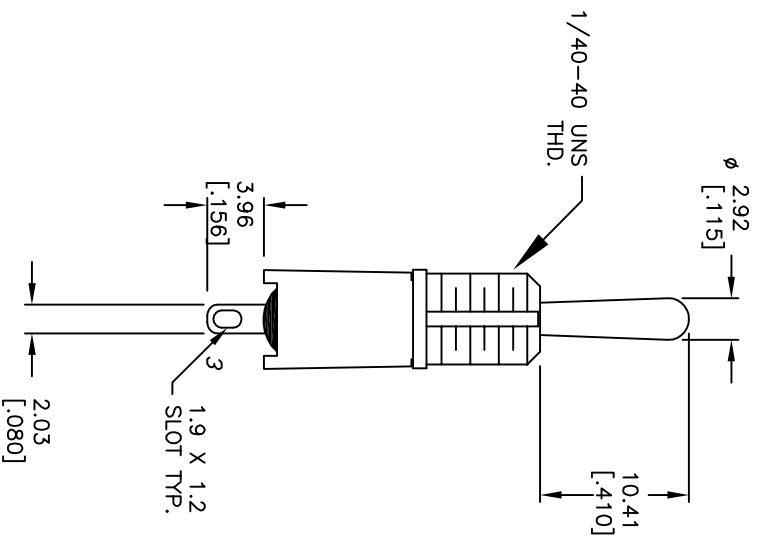
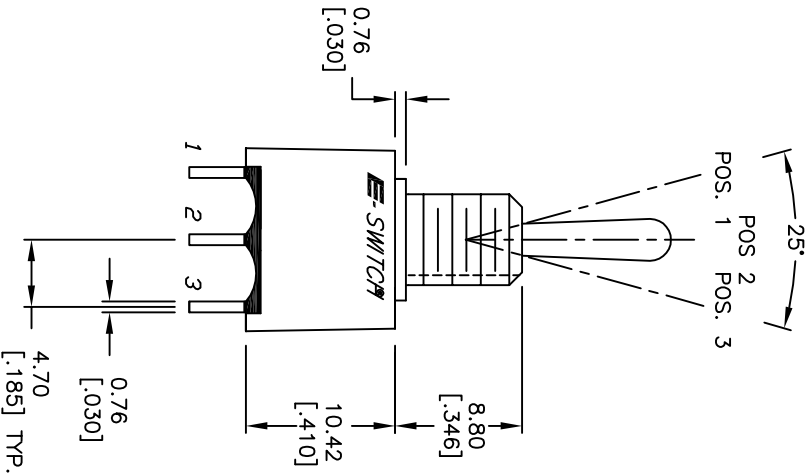
1. ALL DIMENSIONS IN MM [INCH]
2. GENERAL TOLERANCE: X.X=±0.4 X.XX=±0.25
3. TERMINAL NUMBERS FOR REF ONLY
- ▲4. RATING: 5A @120VAC or 28VDC
2A @250VAC (w/RESISTIVE LOAD)
5. FIXED TERM. & MOVING CONTACT:
Cu Alloy w/Silver plate
6. ELECTRIC LIFE: 40,000 make-and-break cycles at full load.
7. INSULATION RESISTANCE: 1,000 Mega-ohm min.
8. DIELECTRIC STRENGTH: 1,000 V RMS @sea level.
9. OPERATING TEMP.: -30°C to 85°C
10. ▲ DENOTES CRITICAL PARAMETER
11. 200/95/EC (ROHS) COMPLIANT
12. HARDWARE TO BE SUPPLIED IN BULK:
T100011-LOCK WASHER QTY-1
T100015-LOCK RING QTY-1
T100000-HEX NUT QTY-2

B	17806	CHANGED BUSHING'S DIMENSIONS	10/25/07	BF
A	17704	RELEASED FOR PRODUCTION	9/20/07	BF
REV.	ECN No.	DESCRIPTION	DATE	CHKD

THE INFORMATION CONTAINED IN THIS DOCUMENT IS PROPRIETARY TO E-SWITCH AND IS NOT TO BE COPIED OR TRANSFERRED



BOTTOM VIEW



E-SWITCH®

100AWSP4T1B1M1QE H

TITLE	SCALE	DATE	DR	DWG	REV
	2:1	10/25/07	BF	ST104004	B