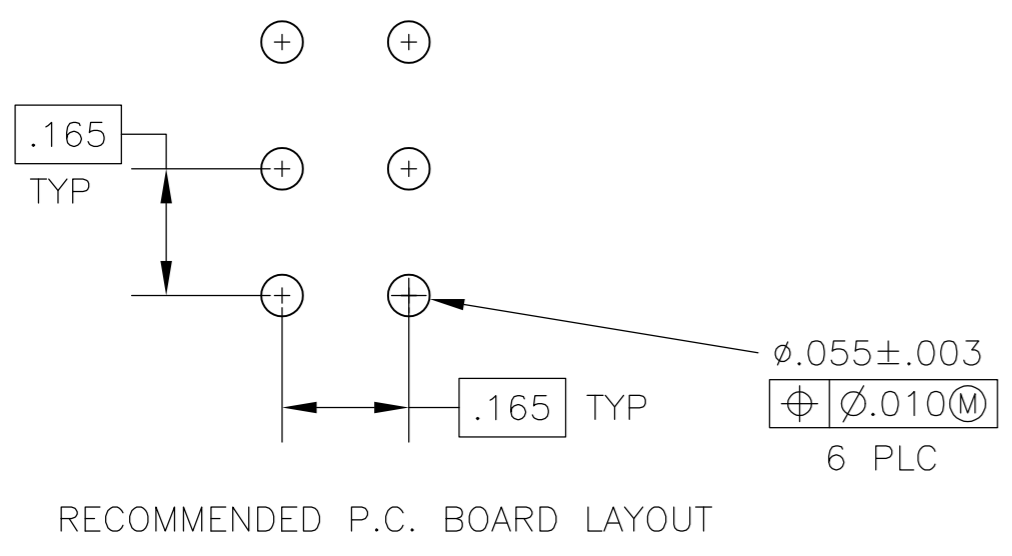
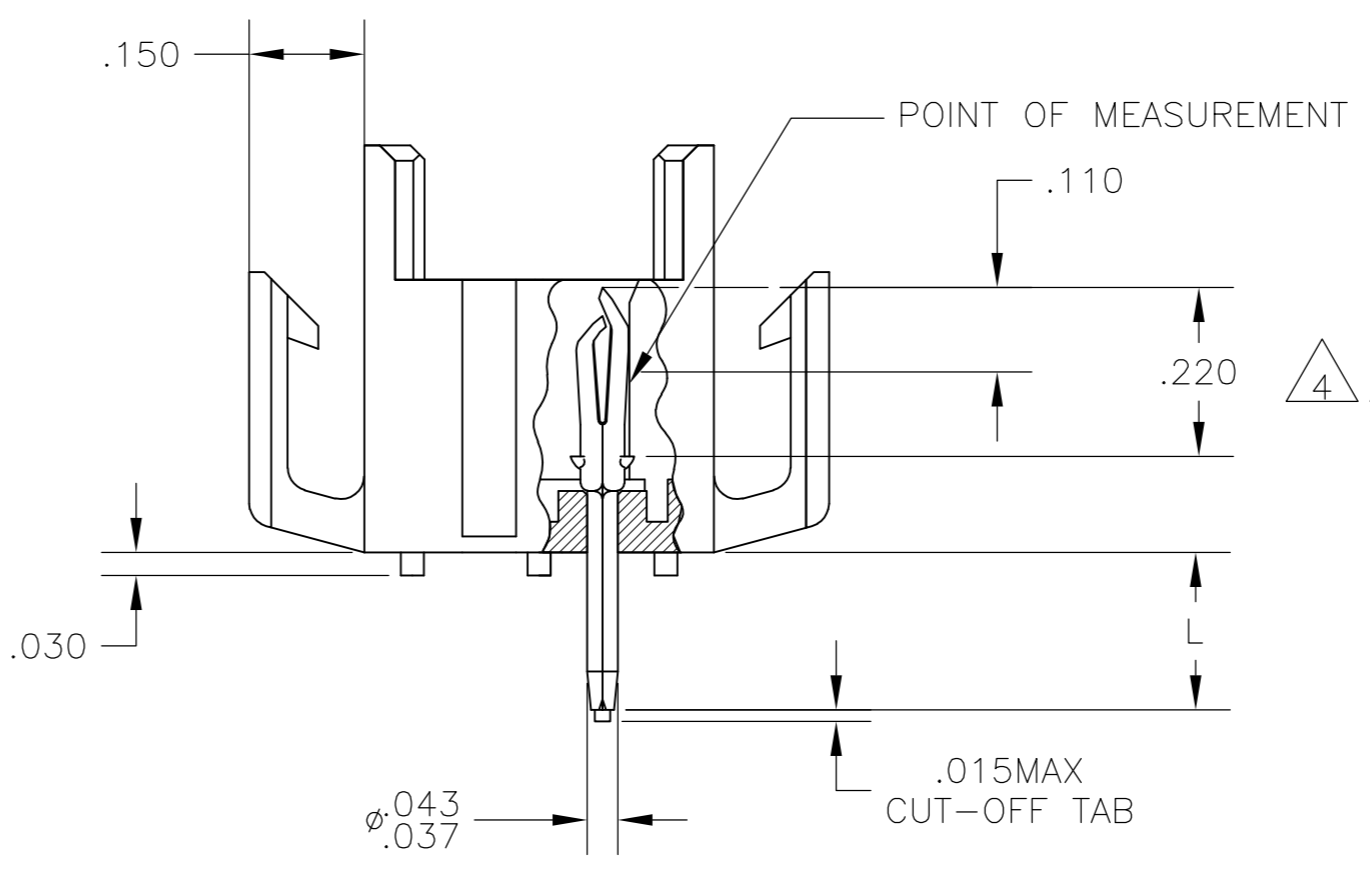
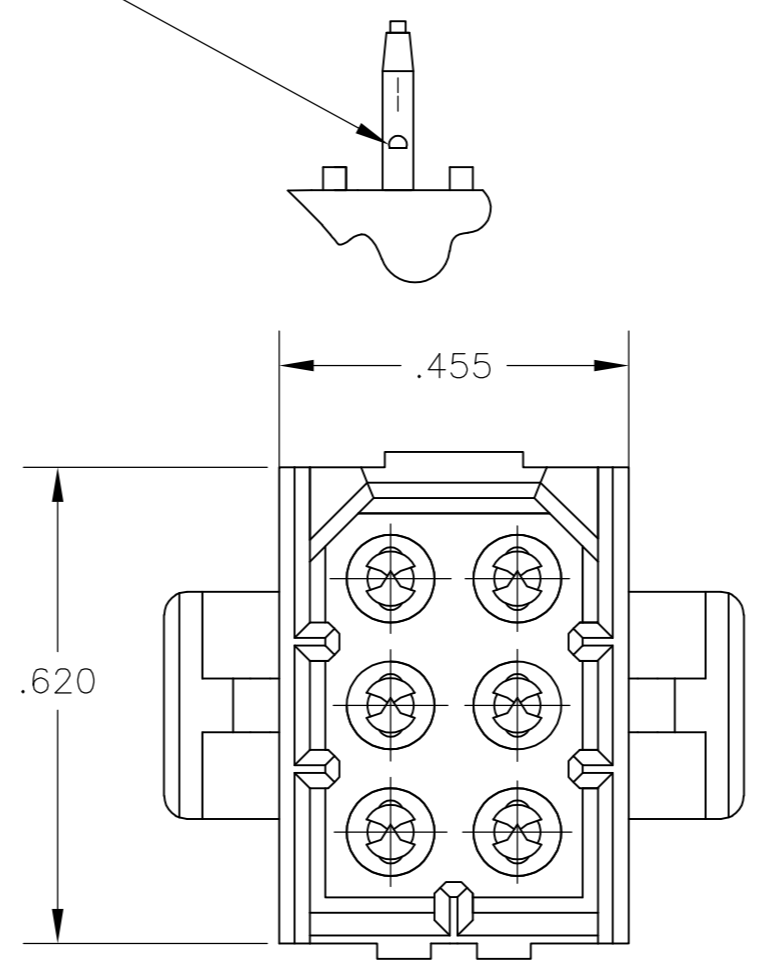
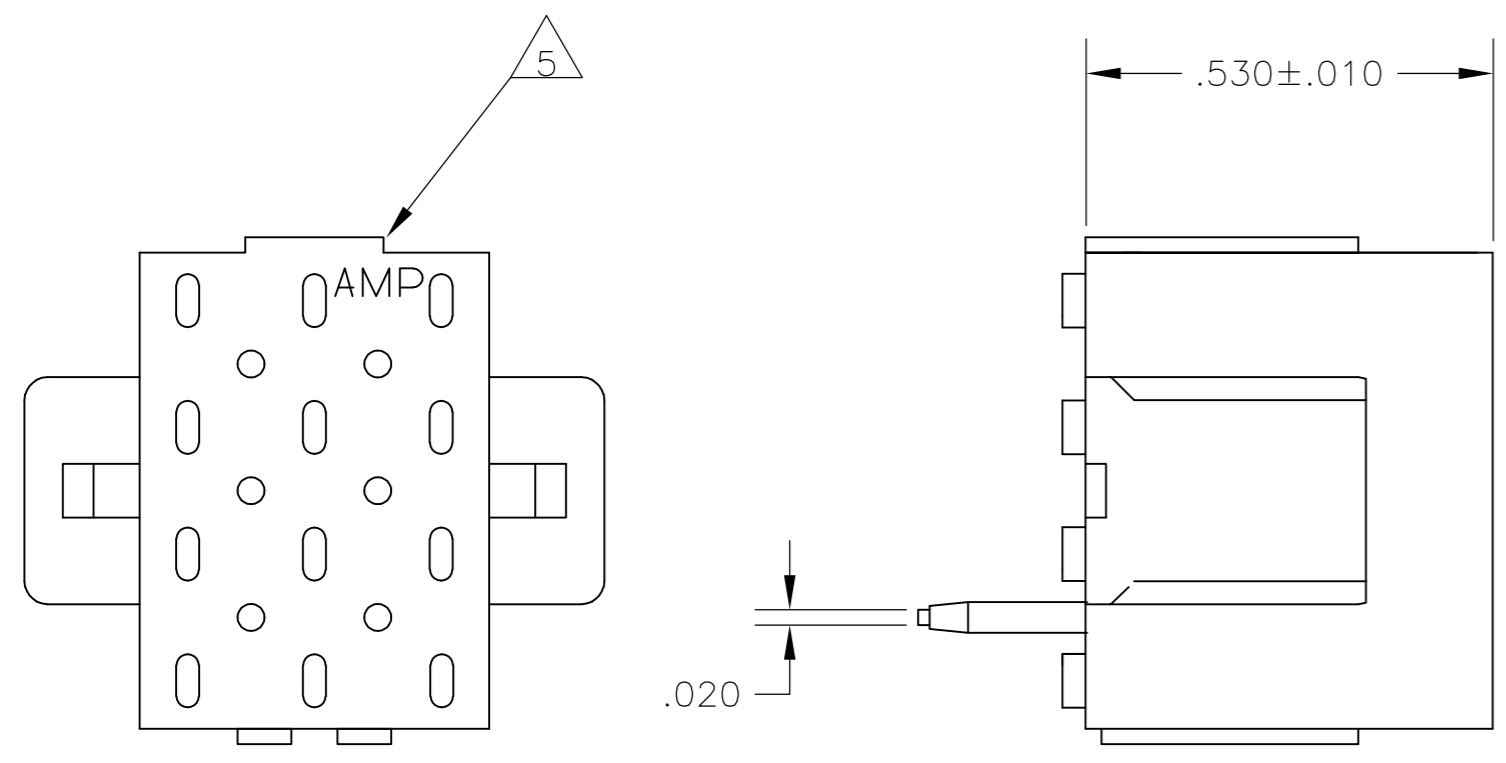


THIS DRAWING IS UNPUBLISHED. RELEASED FOR PUBLICATION
 © COPYRIGHT - By - ALL RIGHTS RESERVED.

LOC		DIST		REVISIONS			
P	LTR	DESCRIPTION		DATE	DWN	APVD	
		N1		REVISED PER ECO-11-004917	11MAR11	RK HMR	

ANTI SOLDER WICKING TAB

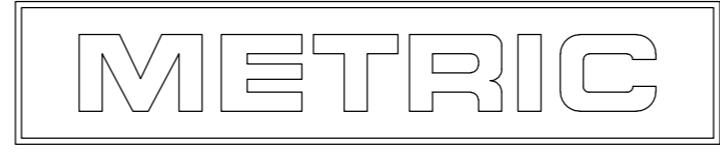


1. FITS SOCKET HOUSING 640520.
2. ASSEMBLY CONFORMS TO AMP SOLDERABILITY SPEC. 109-11-3.
3. FOR USE WITH .063 THICK P.C. BOARD.
4. CONTACT IS PLATED OVERALL WITH .000050 NICKEL, THEN .000030 GOLD OVER CONTACT LENGTH INDICATED AND .000150 MATTE TIN-LEAD ON SOLDER TAIL END.
5. UL AND CSA LOGO LOCATED ON THIS SURFACE.
6. FOR USE WITH .120 THICK P.C. BOARD.
7. FOR USE WITH .093 THICK P.C. BOARD.
8. CONTACT IS PLATED OVERALL WITH .000050 NICKEL, THEN .000030 GOLD OVER CONTACT LENGTH INDICATED AND .000150 MATTE TIN ON SOLDER TAIL END.

.180	7	BRICK RED	GOLD	8	2-640500-6
.210	6	BRICK RED	GOLD	8	2-640500-4
.150	3	BRICK RED	GOLD	8	2-640500-2
.180	7	BRICK RED	GOLD	4	640500-6
.180	7	BRICK RED	PRE-TIN		640500-5
.210	6	BRICK RED	GOLD	4	640500-4
.210	6	BRICK RED	PRE-TIN		640500-3
.150	3	BRICK RED	GOLD	4	640500-2
.150	3	BRICK RED	PRE-TIN		640500-1
"L" +.010 -.020		HOUSING COLOR	PIN FINISH		PART NUMBER

IN	MM	IN	MM	IN	MM	IN	MM
.010	0.25	.055	1.40	.210	5.33	-	-
.008	0.20	.043	1.09	.180	4.57	-	-
.005	0.13	.037	0.94	.165	4.19	.620	15.75
.003	0.08	.030	0.76	.150	3.81	.530	13.46
.000050	0.00127	.020	0.51	.110	2.79	.455	11.56
.000030	0.00076	.015	0.38	.063	1.60	.220	5.59
IN	MM	IN	MM	IN	MM	IN	MM

CONVERSION TABLE



THIS DRAWING IS A CONTROLLED DOCUMENT.

DWN: J. HUFFMAN 28APR98
 CHK: R. SWING 28APR98
 APVD: T. BEDDICK 28APR98

MATERIAL: HOUSING-FLAME RETARDANT NYLON UL 94V-0 PIN:008 PH. BRZ.
 FINISH: SEE TABLE

TE Connectivity
 NAME: HEADER ASSEMBLY, PIN, 6 POSITION, MR.
 SIZE: A2 CAGE CODE: 00779 DRAWING NO: 640500
 SCALE: 4:1 SHEET: 1 of 1 REV: N1