

Customer Information Sheet

DRAWING No.: G125-4510000B

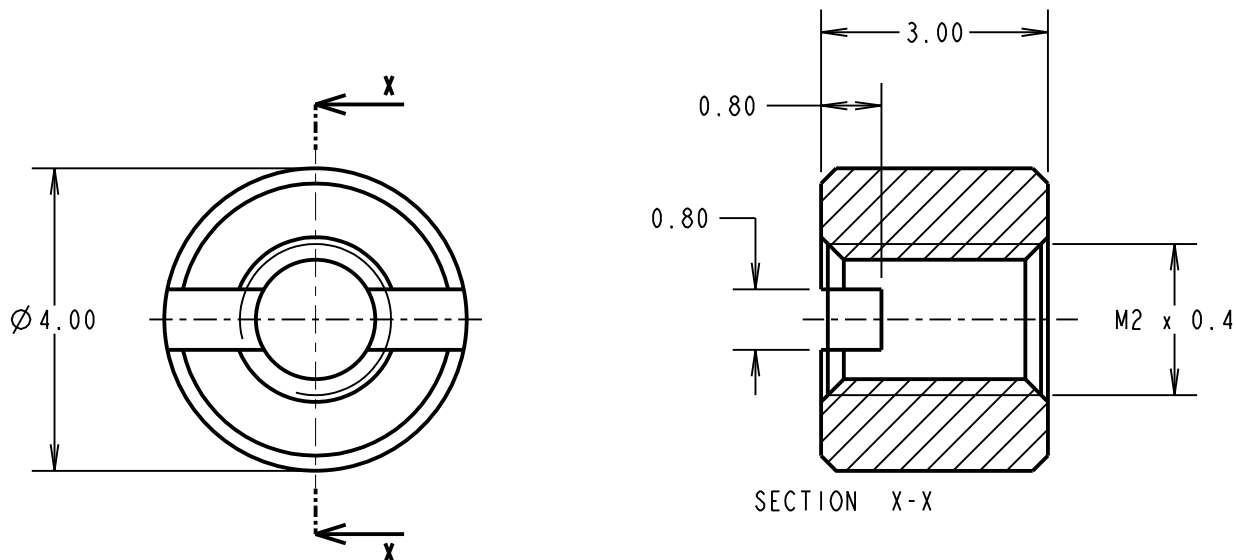
IF IN DOUBT - ASK

©

NOT TO SCALE

THIRD ANGLE PROJECTION

ALL DIMENSIONS IN mm



NOTES:

1. FOR USE ON G125 GECKO SCREW FITTINGS.
2. PACKED IN BAGS OF 12.
3. PART No., QUANTITY AND BATCH No. ARE PRINTED ON BAG.
4. SCREWDRIVER TOOL Z80-298 IS RECOMMENDED FOR USE WITH THIS NUT, WHEN USED ON BOARD MOUNT STUDS.

MGP	1	10.05.16	----
NAME	ISS.	DATE	C/NOTE
APPROVED: MGP			
CHECKED: SB			
DRAWN: M G PLESTED			
CUSTOMER REF.:			
ASSEMBLY DRG:			

HARWIN

www.harwin.com
technical@harwin.com

THIS DRAWING AND ANY INFORMATION OR DESCRIPTIVE MATTER SET OUT HEREON ARE CONFIDENTIAL AND COPYRIGHT PROPERTY OF THE HARWIN GROUP AND MUST NOT BE DISCLOSED, LOANED, COPIED OR USED FOR MANUFACTURING, TENDERING OR FOR ANY OTHER PURPOSE WITHOUT THEIR WRITTEN PERMISSION.

TOLERANCES
 X. = ±1mm
 X.X = ±0.50mm
 X.XX = ±0.10mm
 X.XXX = ±0.01mm
ANGLES = ±5°
UNLESS STATED

MATERIAL:
STAINLESS STEEL

FINISH: CLEAN

S/AREA: mm²

TITLE:
M2 ROUND SLOTTED NUT

DRAWING NUMBER:
G125-4510000B

SHT
2
OF 2