

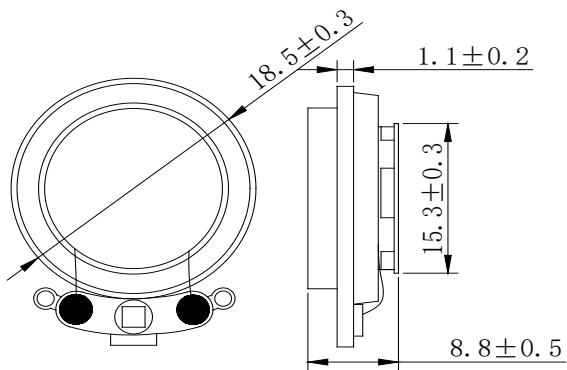


MODEL: E-12041808
PRODUCT: Exciter
EDITION: A/2017



Specification	Unit	E-12041808
AC Impedance	Ω	8 ±15% at 1000Hz
Rated Input Power	Watt	2.0
Max Input Power	Watt	2.5
Resonant Frequency	Hz	400 ±20%
Frequency Range	Hz	F0 ~ 20.0KHz, Average SPL ±10dB
Output Sound Pressure Level	dB	87 ±3dB 1.0 Watt/1.0Meter, AVG. at 0.8, 1.0, 1.2, 1.5KHz
Operating Temperature	°C	-20°C ~ +50°C
Storage Temperature	°C	-40°C ~ +60°C
Dimension	mm	∅ 18.5 x H8.8
Distortion		3% maximum at 1000Hz, 2.0W
Polarity		Diaphragm shall move forward when a positive DC current is applied to the '+' or 'Marked' Terminal
Load Test		Bt Audio Signal Generator at 4.0 Volt Total 48 hours and 20Hz ~ 20KHz resonant frequency
Abnormal Sound Test		Must be normal tested at 4.0 Volt sine wave

DIMENSIONS



Unit: mm



FREQUENCY RESPONSE

