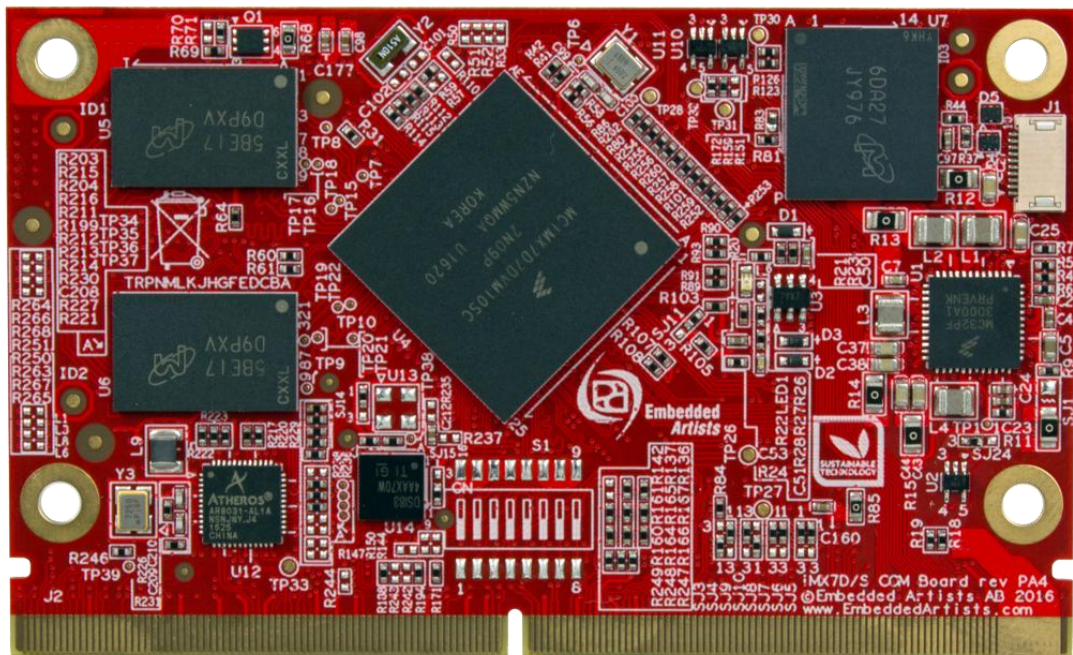


iMX7 Dual COM Board Datasheet



*Get Up-and-Running Quickly and
Start Developing Your Application On Day 1!*

Embedded Artists AB

Davidshallsgatan 16
211 45 Malmö
Sweden

<http://www.EmbeddedArtists.com>

Copyright 2016 © Embedded Artists AB. All rights reserved.

No part of this publication may be reproduced, transmitted, transcribed, stored in a retrieval system, or translated into any language or computer language, in any form or by any means, electronic, mechanical, magnetic, optical, chemical, manual or otherwise, without the prior written permission of Embedded Artists AB.

Disclaimer

Embedded Artists AB makes no representation or warranties with respect to the contents hereof and specifically disclaim any implied warranties or merchantability or fitness for any particular purpose. The information has been carefully checked and is believed to be accurate, however, no responsibility is assumed for inaccuracies.

Information in this publication is subject to change without notice and does not represent a commitment on the part of Embedded Artists AB.

Feedback

We appreciate any feedback you may have for improvements on this document.

Trademarks

All brand and product names mentioned herein are trademarks, services marks, registered trademarks, or registered service marks of their respective owners and should be treated as such.

Table of Contents

1	Document Revision History	5
2	Introduction	6
2.1	Hardware	6
2.2	Software	7
2.3	Features and Functionality	7
2.4	Interface Overview	9
2.5	Reference Documents	10
3	Board Pinning	12
3.1	Pin Numbering	12
3.2	Pin Assignment	13
4	Pin Mapping	23
4.1	Functional Multiplexing on I/O Pins	23
4.1.1	Alternative I/O Function List	23
4.2	I/O Pin Control	23
5	Interface Description	24
5.1	Camera Interfaces	25
5.1.1	Parallel Camera Interface	25
5.1.2	Serial Camera Interface	28
5.2	Display Interfaces	29
5.2.1	Parallel RGB LCD Interface	30
5.2.2	MIPI-DSI Interface	31
5.3	Digital Audio Interfaces: Synchronous Audio Interfaces (SAI)	32
5.4	Digital Audio Interface: Medium Quality Speaker (MQS)	34
5.5	Ethernet	35
5.5.1	Second Ethernet Interface	36
5.6	FlexCAN	38
5.7	GPIOs	38
5.8	I2C	39
5.9	JTAG	41
5.10	PCI Express	42
5.11	Power Management	42
5.12	Power Supply Signals	43
5.13	PWM	43
5.14	SD/MMC	44
5.15	ECSPI / SPI	46
5.16	UART	47
5.17	USB	50
6	Boot Options	52

7	Power Modes	53
7.1	Power Mode: OFF	54
7.2	Power Mode: SNVS (RTC only)	54
7.3	Power Mode: LPSR	54
7.4	Power Modes: Low Power	54
7.5	Power Mode: RUN	55
8	Technical Specification	56
8.1	Absolute Maximum Ratings	56
8.2	Recommended Operating Conditions	56
8.3	Power Ramp-Up Time Requirements	56
8.4	Electrical Characteristics	56
8.4.1	Reset Output Voltage Range	56
8.4.2	Reset Input	57
8.5	Power Consumption	57
8.6	Mechanical Dimensions	57
8.6.1	MXM3 Socket	59
8.6.2	Module Assembly Hardware	59
8.7	Environmental Specification	60
8.7.1	Operating Temperature	60
8.7.2	Relative Humidity (RH)	60
8.8	Thermal Design Considerations	60
8.8.1	Thermal Parameters	60
8.9	Product Compliance	61
9	Functional Verification and RMA	62
10	Things to Note	63
10.1	Shared Pins and Multiplexing	63
10.2	Cannot Access Some Memory Cards	63
10.3	Only Use EA Board Support Package (BSP)	64
10.4	OTP Fuse Programming	64
10.5	Write Protect on Parameter Storage E2PROM	64
10.6	Integration - Contact Embedded Artists	64
10.7	ESD Precaution when Handling iMX7 Dual COM Board	65
10.8	EMC / ESD	65
11	Custom Design	67
12	Disclaimers	68
12.1	Definition of Document Status	69

1 Document Revision History

<i>Revision</i>	<i>Date</i>	<i>Description</i>
PA1	2016-10-24	First version.
PA2	2016-11-21	Added information about how to connect an external Ethernet PHY.

2 Introduction

This document is a datasheet that specifies and describes the *iMX7 Dual COM Board* mainly from a hardware point of view. Some basic software related issues are also addressed, like booting and functional verification, but there are separate software development manuals that should also be consulted.

2.1 Hardware

The *iMX7 Dual COM Board* is a Computer-on-Module (COM) based on NXP's dual-core ARM Cortex-A7 / M4 i.MX 7Dual System-on-Chip (SoC) application processor. The board provides a quick and easy solution for implementing a high-performance ARM dual-core Cortex-A7 / M4 based design. The two Cortex-A7 cores runs at up to 1GHz and the Cortex-M4 core at up to 200 MHz.

The heterogeneous core architecture enables the system to run an OS like Linux on the two Cortex-A7 cores and a Real-Time OS (RTOS) on the Cortex-M4. This architecture is ideal for real time applications where Linux cannot be used for all time critical task. The Cortex-M4 can handle (real time) critical tasks and can also be used to lower the power consumption.

The *iMX7 Dual COM Board* delivers high computational and graphical performance at very low power consumption. The on-board PMIC, supporting DVFS (Dynamic Voltage and Frequency Scaling), together with a LPDDR3 memory sub-system reduce the power consumption to a minimum.

The SoC is part of the scalable i.MX 6/7 product family. There is a range of i.MX 6/7 COM Boards from Embedded Artists with single, dual and quad Cortex-A9/A7 cores, with or without a heterogeneous Cortex-M4 core. All boards share the same basic pinning for maximum flexibility and performance scalability.

The *iMX7 Dual COM Board* has a very small form factor and shields the user from a lot of complexity of designing a high performance system. It is a robust and proven design that allows the user to focus the product development, shorten time to market and minimize the development risk.

The *iMX7 Dual COM Board* targets a wide range of applications, such as:

- Portable systems
- HMI/GUI solutions
- Portable medical and health care
- Connected vending machines
- Point-of-Sale (POS) applications
- Access control panels
- Audio
- IP phones
- Smart appliances
- eReaders
- Wearables
- Home energy management systems
- Industrial automation
- HVAC Building and Control Systems
- Smart Grid and Smart Metering
- Smart Toll Systems
- Data acquisition
- Communication gateway solutions
- Connected real-time systems
- ...and much more

The picture below illustrates the block diagram of the *iMX7 Dual COM Board*.

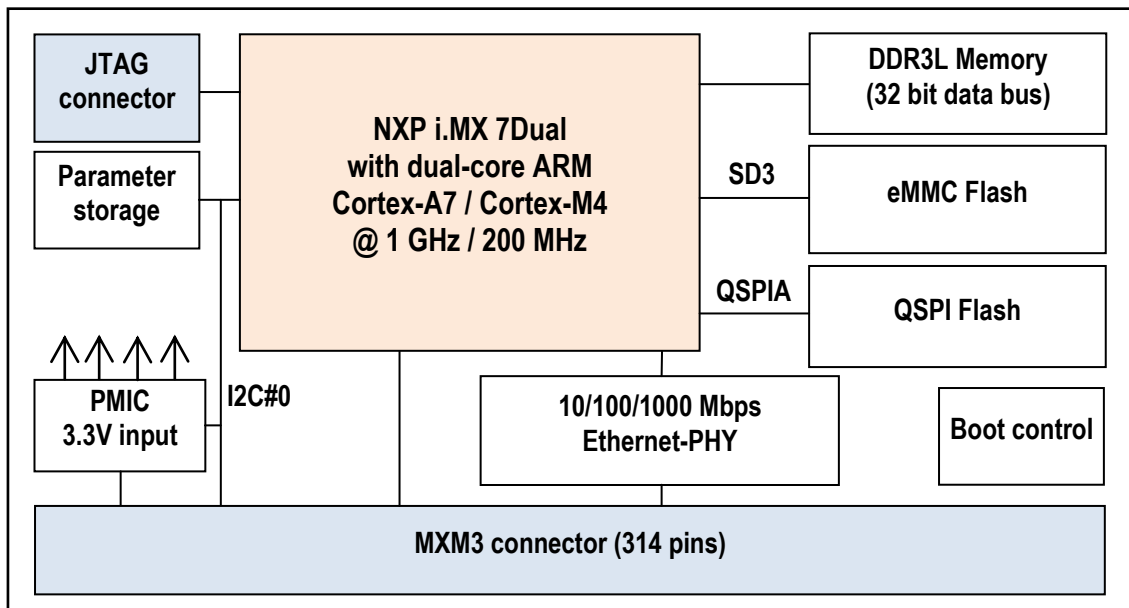


Figure 1 – iMX7 Dual COM Board Block Diagram

The *iMX7 Dual COM Board* pin assignment focus on direct connection to (carrier board) interface connectors and minimize trace and layer crossing. This is important for high speed, serial interfaces with impedance controlled differential pairs. As a result, carrier boards can be designed with few routing layers. In many cases, a four layer pcb is enough to implement advanced and compact carrier boards. The pin assignment is common for the *iMX6/7 COM Boards* from Embedded Artists and the general, so called, EACOM specification is found in separate document.

2.2 Software

The *iMX7 Dual COM Board* has Board Support Packages (BSPs) for Embedded Linux and Android. Precompiled images are available. Embedded Artists works with partners that can provide support for other operating systems (OS). For more information contact Embedded Artists support.

This document has a hardware focus and does not cover software development. See other documents related to the *iMX7 Dual COM Board* for more information about software development.

2.3 Features and Functionality

The i.MX 7Dual is a powerful SoC. The full specification can be found in NXP's *i.MX 7Dual Datasheet* and *i.MX 7Dual Reference Manual*. The table below lists the main features and functions of the *iMX7 Dual COM board* - which represents Embedded Artists integration of the i.MX 7Dual SoC. Due to pin configuration some functions and interfaces of the i.MX7 Dual many not be available at the same time. See i.MX 7Dual SoC datasheet and reference manual for details. Also see pin multiplexing Excel sheet for details.

Group	Feature	iMX7 Dual COM Board
CPUs	NXP SoC	commercial temperature range
		industrial temperature range
	CPU Cores	2x Cortex-A7 1x Cortex-M4 with MPU/FPU
	L1 Instruction cache	32 KByte for each Cortex-A7

		16 KByte on Cortex-M4
	L1 Data cache	32 KByte for each Cortex-A7 16 KByte on Cortex-M4
	L2 Cache on Cortex-A7 cores	512 KByte
	TCM on Cortex-M4	64 KByte
	NEON SIMD media accelerator on Cortex-A7	✓
	Maximum CPU frequency	996 MHz on Cortex-A7 200 MHz on Cortex-M4
Security Functions	ARM TrustZone	✓
	Advanced High Assurance Boot	✓
	Cryptographic Acceleration and Assurance Module	✓
	Secure Non-Volatile Storage,	✓
	System JTAG controller	✓
Memory	DDR3L RAM Size	1 GByte
	DDR3L RAM Speed	1066 MT/s
	DDR3L RAM Memory Width	32 bit
	QSPI Memory	32 MByte
	eMMC NAND Flash (8 bit)	4 GByte
Graphical Processing	PiXel Processing Pipeline (PXP)	✓
Graphical Output	RGB, 24-bit parallel interface	✓
	MIPI-DSI, 2 lanes	✓
	EPD	✓
	LVDS	Optional MIPI-DSI to LVDS bridge
Graphical Input	Parallel camera, up to 24-bit parallel interface	✓
	MIPI-CSI, 2 lanes	✓
Interfaces (all functions are not available at the same time)	Dual 10/100/1000 Mbps Gigabit Ethernet controllers (IEEE1588 compliant) with support for Audio Video Bridging (AVB)	✓ with on-board PHY Note: off-board PHYs required for second port
	Quad SPI	✓ QSPIA interface used on-board
	PCIe v2.1 (1 lane)	✓
	8 ch 12-bit ADC	✓
	2x USB 2.0 OTG ports, 1x HSIC	✓
	3x SD3.0/MMC 5.0	✓ SD3 interface used on-board to eMMC
	4x SPI, 7x UART, 4x I ² C, 3x I ² S/AC97	✓

	Dual FlexCAN, CAN bus 2.0B	✓
	4x PWM, KPP, GPIOs, WDOG	✓
Other	PMIC (PF3000) supporting DVFS techniques for low power modes	✓
	E2PROM storing board information including Ethernet MAC address and memory bus setup parameters	✓
	i.MX7 Dual on-chip RTC	✓
	On-board watchdog functionality	✓

2.4 Interface Overview

The table below lists the interfaces that are specified in the EACOM specification (see separate document for details) and what is supported by the *iMX7 Dual COM board*.

Interface	EACOM specification	iMX7 Dual COM Board	Note
UART	3 ports (two 4 wire and one 2 wire)	3 ports	More ports available as alternative pin functions
SPI	2 ports	2 port	More ports available as alternative pin functions
I2C	3 ports	3 ports	A fourth port is available as alternative pin functions
SD/MMC	2 ports (one 4 databits and one 8 databits)	2 ports	Both ports have 4 databits
Parallel LCD	24 databits and CLK/HS/VS/DE	Full support	
LCD support	LCD power ctrl, Backlight power/contrast control, touch panel ctrl (RST and IRQ)	Full support	1 PWM and 4 GPIO
LVDS LCD	2 ports (18/24 bit LVDS data)	-	Optional support with MIPI-DSI to LVDS bridge
HDMI (TDMS)		-	
Parallel Camera		-	
Serial Camera	CSI, 4 lane	2 lanes supported	
Gigabit Ethernet	2 ports	1 ports	Second port via external Eth-Phy
PCIe	1 post, 1 lane	1 port, 1 lane	
SATA	1 port	-	
USB	1 USB3.0 OTG 1 USB3.0 Host 1 USB2.0 Host	2 USB2.0 OTG	

SPDIF	1 TX/RX port	-	
CAN	2 ports	2 ports	
I2S/SSI/AC97	1 port (4 wire synchronous plus MCLK)	1 port	More ports available as alternative pin functions.
Analog audio	Stereo output	-	
GPIO	9 pins	9 pins	More GPIO pins are available as alternative pin functions.
PWM	1 pin	1 pin	More pins are available as alternative pin functions.
ADC	8 inputs	8 inputs	Note: max 1.8V input
Type specific	39 pins	33 pins, incl MIPI-DSI port	All type specific pins connected to i.MX 7Dual pins. 6 type specific pins not used since all i.MX 7Dual SoC pins allocated.
Power	10 VIN, VBAT and 47 GND	10 VIN, VBAT and 47 GND	About 15% of the pins are ground pins.

2.5 Reference Documents

The following documents are important reference documents and should be consulted when integrating the *iMX7 Dual COM board*:

- EACOM Board Specification
- EACOM Board Integration Manual

The following NXP documents are also important reference documents and should be consulted for functional details:

- IMX7DCEC, i.MX 7Dual Applications Processors for Consumer Products - Data Sheet, latest revision
- IMX7DRM, i.MX 7Dual Applications Processor Reference Manual, latest revision
- IMX7DCE, Chip Errata for the i.MX 7Dual, latest revision
Note: It is the user's responsibility to make sure all errata published by the manufacturer are taken note of. The manufacturer's advice should be followed.
- i.MX 7Dual Power Consumption Measurement, latest revision
- AN5334, i.MX7 Dual/Solo Product Lifetime Usage Estimates, latest revision

The following documents are external industry standard reference documents and should also be consulted when applicable:

- eMMC (Embedded Multi-Media Card) the eMMC electrical standard is defined by JEDEC JESD84-B45 and the mechanical standard by JESD84-C44 (www.jedec.org)
- GbE MDI (Gigabit Ethernet Medium Dependent Interface) defined by IEEE 802.3. The 1000Base-T operation over copper twisted pair cabling is defined by IEEE 802.3ab (www.ieee.org)
- The I2C Specification, Version 2.1, January 2000, Philips Semiconductor (now NXP) (www.nxp.com)
- I2S Bus Specification, Feb. 1986 and Revised June 5, 1996, Philips Semiconductor (now NXP) (www.nxp.com)
- JTAG (Joint Test Action Group) defined by IEEE 1149.1-2001 - IEEE Standard Test Access Port and Boundary Scan Architecture (www.ieee.org)
- MXM3 Graphics Module Mobile PCI Express Module Electromechanical Specification, Version 3.0, Revision 1.1, © 2009 NVIDIA Corporation (www.mxm-sig.org)
- PCI Express Specifications (www.pci-sig.org)
- SD Specifications Part 1 Physical Layer Simplified Specification, Version 3.01, May 18, 2010, © 2010 SD Group and SD Card Association (Secure Digital) (www.sdcard.org)
- SPI Bus – “Serial Peripheral Interface” – de-facto serial interface standard defined by Motorola. A good description may be found on Wikipedia (http://en.wikipedia.org/wiki/Serial_Peripheral_Interface_Bus)
- DSI (Display Serial Interface) The DSI standard is owned and maintained by the MIPI Alliance (“Mobile Industry Processor Alliance”) (www.mipi.org)
- CSI-2 (Camera Serial Interface version 2) The CSI-2 standard is owned and maintained by the MIPI Alliance (“Mobile Industry Processor Alliance”) (www.mipi.org)
- USB Specifications (www.usb.org)

3 Board Pinning

Embedded Artists has created the *EACOM Board Specification* that is based on the SMARC form factor; module size 82 x 50 mm. Note that pinning is different from the SMARC standard. See the *EACOM Board specification* document for details and background information. Hereafter this standard will be referred to as **EACOM**.

The carrier board connector has 314 pins with 0.5 mm pitch and the EACOM board is inserted in a right angle (R/A) style. The connector is originally defined for use with MXM3 graphics cards. There are multiple sources for carrier board (MXM3) connectors due to the popular standard. The signal integrity is excellent and suitable for data rates up to 5 GHz.

Overall assembly height of the EACOM board/Carrier board connector can be as low as 6 mm. There are different stack height options available, including 2.7 mm (resulting in overall 6 mm height), 5 mm and 8 mm.

3.1 Pin Numbering

The figures below show the pin numbering for EACOM. Top side edge fingers are numbered P1-P156. Bottom side edge fingers are numbered S1-S158. There is an alternative pin numbering that follows the MXM3 standard with even numbers on the bottom and odd numbers on the top. This numbering is from 1-321, with 7 numbers/pins (150-156) removed due to the keying.

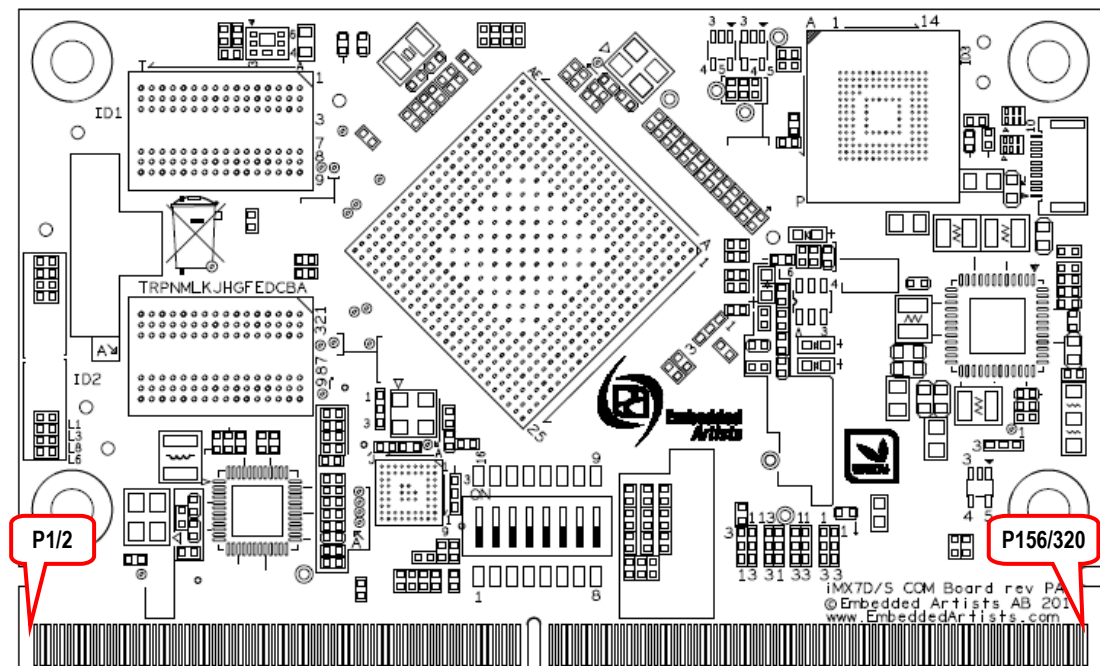


Figure 2 – EACOM Board Pin Numbering, Top Side

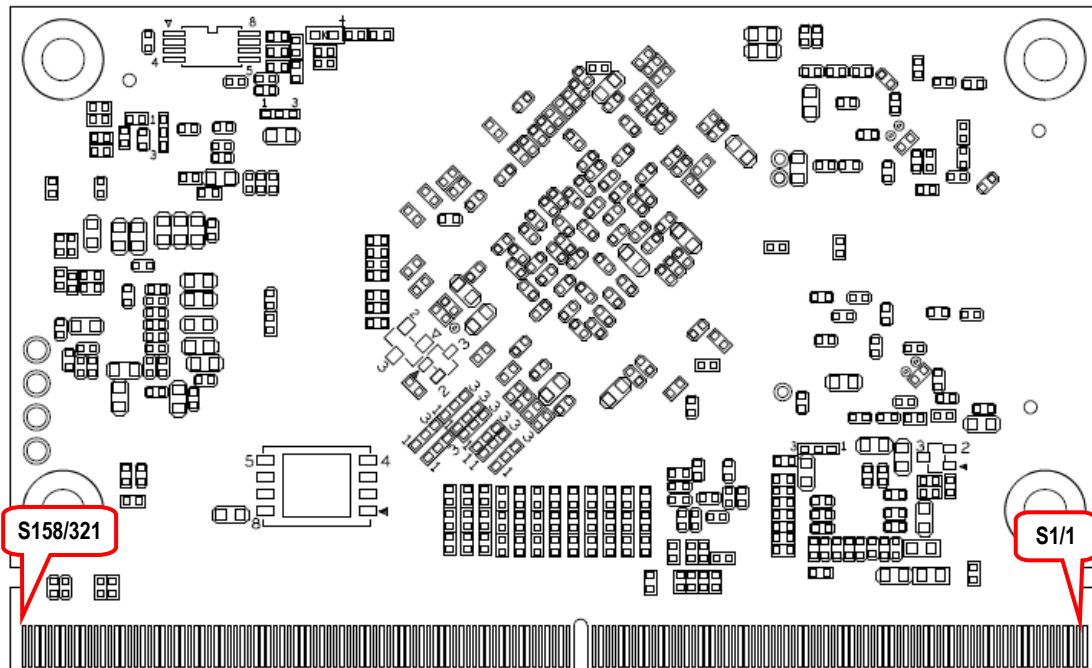


Figure 3 – EACOM Board Pin Numbering, Bottom Side

3.2 Pin Assignment

This section describes the pin assignment of the board, with the following columns:

Pin number	Px are top side edge fingers. Sx are bottom side edge fingers. An alternative, consecutive, numbering is also shown with odd numbers on the top and even numbers on the bottom side.
EACOM Board	Describe the typical usage of the pin according to EACOM. This pin usage should be followed to get compatibility between different EACOM boards. If this is not needed, then any of the alternative functions on the pin can also be used.
i.MX 7Dual Ball Name	The name of the ball of the i.MX 7Dual SoC (or other component on the EACOM board) that is connected to this pin.
Notes	When relevant, the preferred pin function is listed.

There are 47 ground pins, which equal to about 15%, and 10 input voltage supply pins.

Note that some pins are EACOM board *type specific*, meaning that these pins might not be compatible with other EACOM boards. Using these may result in lost compatibility between EACOM boards, but not always. Check details between EACOM boards of interest.

The table below lists the top side pins, P1-P156, odd numbers.

Top Side Pin Number	EACOM Board	i.MX 7Dual Ball Name	Alternative pin functions ?	Notes
P1/2	GPIO6	EPDC_SDCE3	Yes	GPIO6 controlled by alternative pin function GPIO2_I023
P2/4	GPIO5	EPDC_SDCE2	Yes	GPIO5 controlled by alternative pin function GPIO2_I022
P3/6	GPIO4	SD1_CD	Yes	GPIO4 controlled by alternative pin function GPIO5_I001
P4/8	GPIO3	SD1_RESET	Yes	GPIO3 controlled by alternative pin function GPIO5_I002

P5/10	SD_D1	SD1_DATA1	Yes	
P6/12	SD_D0	SD1_DATA0	Yes	
P7/14	SD_CLK	SD1_CLK	Yes	
P8/16	SD_CMD	SD1_CMD	Yes	
P9/18	SD_D3	SD1_DATA3	Yes	
P10/20	SD_D2	SD1_DATA2	Yes	
P11/22	SD_VCC			Supply voltage for SD interface (1.85V or 3.2V). Should only supply the SD interface.
P12/24	MMC_D1	SD2_DATA1	Yes	
P13/26	MMC_D0	SD2_DATA0	Yes	
P14/28	MMC_D7			Only 4-bit interface is supported.
P15/30	MMC_D6			Only 4-bit interface is supported.
P16/32	MMC_CLK	SD2_CLK	Yes	
P17/34	MMC_D5			Only 4-bit interface is supported.
P18/36	MMC_CMD	SD2_CMD	Yes	
P19/38	MMC_D4			Only 4-bit interface is supported.
P20/40	MMC_D3	SD2_DATA3	Yes	
P21/42	MMC_D2	SD2_DATA2	Yes	
P22/44	GND			
P23/46	HDMI_TXC_N			HDMI interface not assigned on this COM board.
P24/48	HDMI_TXC_P			HDMI interface not assigned on this COM board.
P25/50	GND			
P26/52	HDMI_TXD0_N			HDMI interface not assigned on this COM board.
P27/54	HDMI_TXD0_P			HDMI interface not assigned on this COM board.
P28/56	HDMI_HPD			HDMI interface not assigned on this COM board.
P29/58	HDMI_TXD1_N			HDMI interface not assigned on this COM board.
P30/60	HDMI_TXD1_P			HDMI interface not assigned on this COM board.
P31/62	GND			
P32/64	HDMI_TXD2_N			HDMI interface not assigned on this COM board.
P33/66	HDMI_TXD2_P			HDMI interface not assigned on this COM board.
P34/68	HDMI_CEC			HDMI interface not assigned on this COM board.
P35/70	GND			
P36/72	ETH1_MD1_P			Connects to Ethernet-PHY AR8031, pin 14
P37/74	ETH1_MD1_N			Connects to Ethernet-PHY AR8031, pin 15
P38/76	GND			
P39/78	ETH1_MD0_P			Connects to Ethernet-PHY AR8031, pin 11
P40/80	ETH1_MD0_N			Connects to Ethernet-PHY AR8031, pin 12
P41/82	ETH1_LINK1000			Connects to Ethernet-PHY AR8031, pin 24
P42/84	ETH1_ACT			Connects to Ethernet-PHY AR8031, pin 23
P43/86	ETH1_LINK			Connects to Ethernet-PHY AR8031, pin 26
P44/88	ETH1_MD3_N			Connects to Ethernet-PHY AR8031, pin 21
P45/90	ETH1_MD3_P			Connects to Ethernet-PHY AR8031, pin 20

P46/92	GND				
P47/94	ETH1_MD2_N				Connects to Ethernet-PHY AR8031, pin 18
P48/96	ETH1_MD2_P				Connects to Ethernet-PHY AR8031, pin 17
P49/98	GND				
P50/100	ETH2_MD1_P				
P51/102	ETH2_MD1_N				
P52/104	GND				
P53/106	ETH2_MD0_P				
P54/108	ETH2_MD0_N				
P55/110	ETH2_LINK1000				
P56/112	ETH2_ACT				
P57/114	ETH2_LINK				
P58/116	ETH2_MD3_N				
P59/118	ETH2_MD3_P				
P60/120	GND				
P61/122	ETH2_MD2_N				
P62/124	ETH2_MD2_P				
P63/126	GND				
P64/128	USB_O1_DN	USB_OTG1_DN	No		
P65/130	USB_O1_DP	USB_OTG1_DP	No		
P66/132	USB_O1_OTG_ID	USB_OTG1_ID	No		
P67/134	USB_O1_SSTXN				USB OTG port #1 on i.MX 7Dual does not support USB 3.0 so this pin is unconnected.
P68/136	USB_O1_SSTXP				USB OTG port #1 on i.MX 7Dual does not support USB 3.0 so this pin is unconnected.
P69/138	GND				
P70/140	USB_O1_SSRXN				USB OTG port #1 on i.MX 7Dual does not support USB 3.0 so this pin is unconnected.
P71/142	USB_O1_SSRXP				USB OTG port #1 on i.MX 7Dual does not support USB 3.0 so this pin is unconnected.
P72/144	USB_O1_VBUS	USB_OTG1_VBUS	No		
P73/146	USB_O1_PWR_EN	GPIO1_IO05	Yes		Controlled by alternative pin function USB_OTG1_PWR
P74/148	USB_O1_OC	GPIO1_IO04	Yes		Controlled by alternative pin function USB_OTG1_OC
150	Non existing pin				
152	Non existing pin				
154	Non existing pin				
156	Non existing pin				
P75/158	USB_H1_PWR_EN	GPIO1_IO07	Yes		Controlled by alternative pin function USB_OTG2_OC
P76/160	USB_H1_OC	GPIO1_IO06	Yes		Controlled by alternative pin function USB_OTG2_PWR
P77/162	GND				
P78/164	USB_H1_DN	USB_OTG2_DN	No		
P79/166	USB_H1_DP	USB_OTG2_DP	No		
P80/168	USB_H1_SSTXN				USB OTG port #2 on i.MX 7Dual does not support USB 3.0 so this pin is unconnected.

P81/170	USB_H1_SSTXP	USB_OTG2_ID	No	USB OTG port #2 on i.MX 7Dual does not support USB 3.0. Non-standard pin allocation.
P82/172	GND			
P83/174	USB_H1_SSRXN	SNVS_TAMPER2	No	USB OTG port #2 on i.MX 7Dual does not support USB 3.0. Non-standard pin allocation.
P84/176	USB_H1_SSRXP	SNVS_TAMPER1	No	USB OTG port #2 on i.MX 7Dual does not support USB 3.0. Non-standard pin allocation.
P85/178	USB_H1_VBUS	USB_OTG2_VBUS	No	
P86/180	USB_H2_PWR_EN	SNVS_TAMPER0	No	USB Host port #2 on i.MX 7Dual does not exist. Non-standard pin allocation.
P87/182	USB_H2_OC	ONOFF	No	USB Host port #2 on i.MX 7Dual does not exist. Non-standard pin allocation.
P88/184	GND			
P89/186	USB_H2_DN	HSIC_STROBE	No	USB Host port #2 on i.MX 7Dual does not exist. Non-standard pin allocation.
P90/188	USB_H2_DP	HSIC_DATA	No	USB Host port #2 on i.MX 7Dual does not exist. Non-standard pin allocation.
P91/190	GND			
P92/192	COM board specific	EPDC_PWRSTAT	Yes	
P93/194	COM board specific	EPDC_PWRCOM	Yes	
P94/196	COM board specific	EPDC_SDOE	Yes	
P95/198	COM board specific	EPDC_SDLE	Yes	
P96/200	COM board specific	EPDC_SDCLK	Yes	
P97/202	COM board specific	EPDC_D15	Yes	
P98/204	COM board specific	EPDC_D14	Yes	
P99/206	COM board specific	EPDC_D13	Yes	
P100/208	COM board specific	EPDC_D12	Yes	
P101/210	COM board specific	EPDC_D11	Yes	
P102/212	COM board specific	EPDC_D10	Yes	
P103/214	COM board specific	EPDC_D9	Yes	
P104/216	COM board specific	EPDC_D8	Yes	
P105/218	COM board specific	EPDC_D7	Yes	
P106/220	COM board specific			
P107/222	COM board specific			
P108/224	COM board specific	EPDC_D4	Yes	
P109/226	COM board specific			
P110/228	COM board specific			
P111/230	COM board specific			
P112/232	COM board specific			
P113/234	COM board specific	UART3_CTS	Yes	
P114/236	COM board specific	EPDC_BDR1	Yes	
P115/238	COM board specific	EPDC_BDR0	Yes	

P116/240	COM board specific	UART3_RTS	Yes	
P117/242	COM board specific	GPIO1_IO08	Yes	Signal can be used on control voltage level of SD_VCC (3.3V or 1.8V). If this functionality is no needed the pin can be used freely.
P118/244	GND			
P119/246	SPI-B_SSEL	ECSPI2_SS0	Yes	Controlled by alternative pin function ECSPI2_SS0
P120/248	SPI-B_MOSI	ECSPI2_MOSI	Yes	Controlled by alternative pin function ECSPI2_MOSI
P121/250	SPI-B_MISO	ECSPI2_MISO	Yes	Controlled by alternative pin function ECSPI2_MISO
P122/252	SPI-B_CLK	ECSPI2_SCLK	Yes	Controlled by alternative pin function ECSPI2_SCLK
P123/254	SPI-A_SSEL	ECSPI1_SS0	Yes	Controlled by alternative pin function ECSPI1_SS0
P124/256	SPI-A_MOSI	ECSPI1_MOSI	Yes	Controlled by alternative pin function ECSPI1_MOSI
P125/258	SPI-A_MISO	ECSPI1_MISO	Yes	Controlled by alternative pin function ECSPI1_MISO
P126/260	SPI-A_CLK	ECSPI1_SCLK	Yes	Controlled by alternative pin function ECSPI1_SCLK
P127/262	GND			
P128/264	UART-C_RXD	UART3_RXD	Yes	Controlled by alternative pin function UART3_RXD
P129/266	UART-C_TXD	UART3_TXD	Yes	Controlled by alternative pin function UART3_TXD
P130/268	UART-B_RXD	UART2_RXD	Yes	Controlled by alternative pin function UART2_RXD
P131/270	UART-B_CTS	SAI2_RXD	Yes	Controlled by alternative pin function UART2_CTS_B
P132/272	UART-B_RTS	SAI2_TXD	Yes	Controlled by alternative pin function UART2_RTS_B
P133/274	UART-B_TXD	UART2_TXD	Yes	Controlled by alternative pin function UART2_TXD
P134/276	UART-A_RXD	UART1_TXD	Yes	Controlled by alternative pin function UART1_RXD
P135/278	UART-A_CTS	SAI2_TXFS	Yes	Controlled by alternative pin function UART1_CTS_B
P136/280	UART-A_RTS	SAI2_TXC	Yes	Controlled by alternative pin function UART1_RTS_B
P137/282	UART-A_TXD	UART1_TXD	Yes	Controlled by alternative pin function UART1_TXD
P138/284	PWM	GPIO1_IO03	Yes	Controlled by alternative pin function PWM3_OUT. Pin can only be an output since signal pass through a voltage level translator.
P139/286	GPIO2	EPDC_SDCE1	Yes	GPIO2 controlled by alternative pin function GPIO2_IO21
P140/288	GPIO1	EPDC_SDCE0	Yes	GPIO1 controlled by alternative pin function GPIO2_IO20
P141/290	PERI_PWR_EN	RESET_OUT	Yes	Enable signal (active high) for carrier board peripheral power supplies. More information about carrier board design can be found in <i>EACOM Board specification</i> . This signal is a copy of the RESET_OUT signal.
P142/292	RESET_IN			Reset input, active low. Pull signal low to activate reset. No need to pull signal high externally.
P143/294	RESET_OUT			Reset (open drain) output, active low. Driven low during reset. 1.5K pull-up resistor to VIN.
P144/296	GND			
P145/298	VBAT			Supply voltage from coin cell battery for keeping PMIC and RTC functioning during standby.
P146/300	E2PROM_WP			Should be left open (will write protect the on-board parameter storage E2PROM), or connected to GND (will enable writes to the on-board parameter storage E2PROM AND place the i.MX 7Dual SoC in USB OTG boot mode after a power cycle).
P147/302	VIN			Main input voltage supply (3.3V)
P148/304	VIN			Main input voltage supply (3.3V)
P149/306	VIN			Main input voltage supply (3.3V)
P150/308	VIN			Main input voltage supply (3.3V)

P151/310	VIN	Main input voltage supply (3.3V)
P152/312	VIN	Main input voltage supply (3.3V)
P153/314	VIN	Main input voltage supply (3.3V)
P154/316	VIN	Main input voltage supply (3.3V)
P155/318	VIN	Main input voltage supply (3.3V)
P156/320	VIN	Main input voltage supply (3.3V)

The table below lists the bottom side pins, S1-S158, even numbers.

Bottom Side Pin Number	EACOM Board	i.MX 7Dual Ball Name	Alternative pin functions?	Notes
S1/1	MQS_RIGHT	SAI1_RXFS	Yes	Controlled by alternative pin function MQS_RIGHT
S2/3	MQS_LEFT	SAI1_RXC	Yes	Controlled by alternative pin function MQS_LEFT
S3/5	GND			
S4/7	AUDIO_TXFS	SAI1_TXFS	Yes	Controlled by alternative pin function SAI1_TXFS
S5/9	AUDIO_RXD	SAI1_RXD	Yes	Controlled by alternative pin function SAI1_RXD
S6/11	AUDIO_TXC	SAI1_TXC	Yes	Controlled by alternative pin function SAI1_TXC
S7/13	AUDIO_TXD	SAI1_TXD	Yes	Controlled by alternative pin function SAI1_TXD
S8/15	AUDIO_MCLK	SAI1_MCLK	Yes	Controlled by alternative pin function SAI1_MCLK
S9/17	GND			
S10/19	SPDIF_IN			
S11/21	SPDIF_OUT			
S12/23	CAN2_TX	GPIO1_IO15	Yes	Controlled by alternative pin function CAN2_TX
S13/25	CAN2_RX	GPIO1_IO14	Yes	Controlled by alternative pin function CAN2_RX
S14/27	CAN1_TX	GPIO1_IO13	Yes	Controlled by alternative pin function CAN1_TX
S15/29	CAN1_RX	GPIO1_IO12	Yes	Controlled by alternative pin function CAN1_RX
S16/31	GND			
S17/33	LVDS1_D3_P			LVDS interface #1 not assigned on this board.
S18/35	LVDS1_D3_N			LVDS interface #1 not assigned on this board.
S19/37	GPIO	GPIO1_IO02	Yes	
S20/39	LVDS1_D2_P			LVDS interface #1 not assigned on this board.
S21/41	LVDS1_D2_N			LVDS interface #1 not assigned on this board.
S22/43	GND			
S23/45	LVDS1_D1_P			LVDS interface #1 not assigned on this board.
S24/47	LVDS1_D1_N			LVDS interface #1 not assigned on this board.
S25/49	GND			
S26/51	LVDS1_D0_P			LVDS interface #1 not assigned on this board.
S27/53	LVDS1_D0_N			LVDS interface #1 not assigned on this board.
S28/55	GND			
S29/57	LVDS1_CLK_P			LVDS interface #1 not assigned on this board.
S30/59	LVDS1_CLK_N			LVDS interface #1 not assigned on this board.
S31/61	GND			
S32/63	LVDS0_D3_P	LVDS_DATA3_P	No	Connected to optional MIPI-DSI to LVDS transmitter. This

				interface is not available in default configuration.
S33/65	LVDS0_D3_N	LVDS_DATA3_N	No	Connected to optional MIPI-DSI to LVDS transmitter. This interface is not available in default configuration.
S34/67	GPIO	ENE1_CRS	Yes	
S35/69	LVDS0_D2_P	LVDS_DATA2_P	No	Connected to optional MIPI-DSI to LVDS transmitter. This interface is not available in default configuration.
S36/71	LVDS0_D2_N	LVDS_DATA2_N	No	Connected to optional MIPI-DSI to LVDS transmitter. This interface is not available in default configuration.
S37/73	GND			
S38/75	LVDS0_D1_P	LVDS_DATA1_P	No	Connected to optional MIPI-DSI to LVDS transmitter. This interface is not available in default configuration.
S39/77	LVDS0_D1_N	LVDS_DATA1_N	No	Connected to optional MIPI-DSI to LVDS transmitter. This interface is not available in default configuration.
S40/79	GND			
S41/81	LVDS0_D0_P	LVDS_DATA0_P	No	Connected to optional MIPI-DSI to LVDS transmitter. This interface is not available in default configuration.
S42/83	LVDS0_D0_N	LVDS_DATA0_N	No	Connected to optional MIPI-DSI to LVDS transmitter. This interface is not available in default configuration.
S43/85	GND			
S44/87	LVDS0_CLK_P	LVDS_CLK_P	No	Connected to optional MIPI-DSI to LVDS transmitter. This interface is not available in default configuration.
S45/89	LVDS0_CLK_N	LVDS_CLK_N	No	Connected to optional MIPI-DSI to LVDS transmitter. This interface is not available in default configuration.
S46/91	I2C-A_SDA	I2C1_SDA	No	Controlled by alternative pin function I2C1_SDA. Signal must be I2C1_SDA since the signal is connected to on-board PMIC.
S47/93	I2C-A_SCL	I2C1_SCL	No	Controlled by alternative pin function I2C1_SCL. Signal must be I2C1_SCL since the signal is connected to on-board PMIC.
S48/95	I2C-B_SDA	I2C2_SDA	Yes	Controlled by alternative pin function I2C2_SDA
S49/97	I2C-B_SCL	I2C2_SCL	Yes	Controlled by alternative pin function I2C2_SCL
S50/99	HDMI/I2C-C_SDA	I2C3_SDA	Yes	Controlled by alternative pin function I2C3_SDA
S51/101	HDMI/I2C-C_SCL	I2C3_SCL	Yes	Controlled by alternative pin function I2C3_SCL
S52/103	TP_RST	EPDC_GDSP	Yes	Controlled by alternative pin function GPIO2_IO27
S53/105	TP_IRQ	EPDC_GDRL	Yes	Controlled by alternative pin function GPIO2_IO26
S54/107	DISP_PWR_EN	EPDC_GDOE	Yes	Controlled by alternative pin function GPIO2_IO25
S55/109	BL_PWR_EN	EPDC_GDCLK	Yes	Controlled by alternative pin function GPIO4_IO24
S56/111	BL_PWM	GPIO1_IO01	Yes	Controlled by alternative pin function PWM1_OUT.
S57/113	GND			
S58/115	LCD_R0	LCD1_DATA16	Yes	
S59/117	LCD_R1	LCD1_DATA17	Yes	
S60/119	LCD_R2	LCD1_DATA18	Yes	
S61/121	LCD_R3	LCD1_DATA19	Yes	
S62/123	LCD_R4	LCD1_DATA20	Yes	
S63/125	LCD_R5	LCD1_DATA21	Yes	
S64/127	LCD_R6	LCD1_DATA22	Yes	
S65/129	LCD_R7	LCD1_DATA23	Yes	
S66/131	LCD_G0	LCD1_DATA08	Yes	
S67/133	LCD_G1	LCD1_DATA09	Yes	

S68/135	LCD_G2	LCD1_DATA10	Yes	
S69/137	LCD_G3	LCD1_DATA11	Yes	
S70/139	LCD_G4	LCD1_DATA12	Yes	
S71/141	LCD_G5	LCD1_DATA13	Yes	
S72/143	LCD_G6	LCD1_DATA14	Yes	
S73/145	LCD_G7	LCD1_DATA15	Yes	
S74/147	GND			
S75/149	LCD_B0	LCD1_DATA00	Yes	
151	Non existing pin			
153	Non existing pin			
155	Non existing pin			
S76/157	LCD_B1	LCD1_DATA01	Yes	
S77/159	LCD_B2	LCD1_DATA02	Yes	
S78/161	LCD_B3	LCD1_DATA03	Yes	
S79/163	LCD_B4	LCD1_DATA04	Yes	
S80/165	LCD_B5	LCD1_DATA05	Yes	
S81/167	LCD_B6	LCD1_DATA06	Yes	
S82/169	LCD_B7	LCD1_DATA07	Yes	
S83/171	LCD_CLK	LCD1_CLK	Yes	
S84/173	GPIO7	LCD1_RESET	Yes	Controlled by alternative pin function GPIO3_IO04.
S85/175	LCD_HSYNC	LCD1_HSYNC	Yes	
S86/177	LCD_VSYNC	LCD1_VSYNC	Yes	
S87/179	LCD_ENABLE	LCD1_ENABLE	Yes	
S88/181	GND			
S89/183	AIN_VREF	VDDA_ADCx_1P8, i.MX 7 SoC balls AC3 and AB3	No	Supply voltage (1.8V) for i.MX7 SoC on-chip ADC
S90/185	AIN7	ADC2_IN3	No	Note that voltage range is 0-1.8V.
S91/187	AIN6	ADC2_IN2	No	Note that voltage range is 0-1.8V.
S92/189	AIN5	ADC2_IN1	No	Note that voltage range is 0-1.8V.
S93/191	AIN4	ADC2_IN0	No	Note that voltage range is 0-1.8V.
S94/193	AIN3	ADC1_IN3	No	Note that voltage range is 0-1.8V.
S95/195	AIN2	ADC1_IN2	No	Note that voltage range is 0-1.8V.
S96/197	AIN1	ADC1_IN1	No	Note that voltage range is 0-1.8V. Optional, non-standard pin allocation with signal MIPI_DSI_D1_P possible.
S97/199	AIN0	ADC1_IN0	No	Note that voltage range is 0-1.8V. Optional, non-standard pin allocation with signal MIPI_DSI_D1_N possible.
S98/201	GND			
S99/203	COM board specific	MIPI_DSI_D0_P	No	
S100/205	COM board specific	MIPI_DSI_D0_N	No	
S101/207	GND			
S102/209	COM board specific	MIPI_DSI_CLK_P	No	

S103/211	COM board specific	MIPI_DSI_CLK_N	No	
S104/213	GND			
S105/215	COM board specific	SNVS_TAMPER8	No	
S106/217	COM board specific	SNVS_TAMPER7	No	
S107/219	COM board specific	SNVS_TAMPER6	No	
S108/221	COM board specific	SNVS_TAMPER5	No	
S109/223	COM board specific	SNVS_TAMPER4	No	
S110/225	COM board specific	SNVS_TAMPER3	No	
S111/227	COM board specific	SD1_WP	Yes	
S112/229	COM board specific	I2C4_SDA	Yes	
S113/231	COM board specific	I2C4_SCL	Yes	
S114/233	CSI_HSYNC			
S115/235	CSI_VSYNC	GPIO1_IO11/ ETH_PHY_MDC	No	Signal allocated for ETH_PHY_MDC and used by on-board Ethernet-PHY. Signal can be used for external Ethernet-PHY for second Ethernet interface.
S116/237	CSI_MCLK	GPIO1_IO10/ ETH_PHY_MDIO	No	Signal allocated for ETH_PHY_MDIO and used by on-board Ethernet-PHY. Signal can be used for external Ethernet-PHY for second Ethernet interface.
S117/239	CSI_PCLK			Do not connect to this pin. Internally it is connected to the PMIC interrupt.
S118/241	GND			
S119/243	CSI_D0	SD1_VSELECT	No	Input to control voltage level of SD interface. Leave open for 3.3V interface voltage. Pull signal high for 1.8V interface voltage. Connect to GPIO1_IO08 to control SD interface voltage via GPIO.
S120/245	CSI_D1	SNVS_TAMPER9	No	
S121/247	CSI_D2	EPDC_SDSHR	Yes	
S122/249	CSI_D3	SD2_CD	Yes	
S123/251	CSI_D4	SD2_RESET	Yes	
S124/253	CSI_D5	SD2_WP	Yes	
S125/255	CSI_D6			
S126/257	CSI_D7			
S127/259	GND			
S128/261	CSI_D3_M			MIPI-CSI interface has only 2 lanes.
S129/263	CSI_D3_P			MIPI-CSI interface has only 2 lanes.
S130/265	GND			
S131/267	CSI_D2_M			MIPI-CSI interface has only 2 lanes.
S132/269	CSI_D2_P			MIPI-CSI interface has only 2 lanes.
S133/271	GND			
S134/273	CSI_D1_M	MIPI_CSI_D1_N	No	
S135/275	CSI_D1_P	MIPI_CSI_D1_P	No	
S136/277	GND			
S137/279	CSI_D0_M	MIPI_CSI_D0_N	No	
S138/281	CSI_D0_P	MIPI_CSI_D0_P	No	
S139/283	GND			

S140/285	CSI_CLK_M	MIPI_CSI_CLK_N	No	
S141/287	CSI_CLK_P	MIPI_CSI_CLK_P	No	
S142/289	GND			
S143/291	SATA_TX_P			
S144/293	SATA_TX_N			
S145/295	GND			
S146/297	SATA_RX_N	PCIE_REFCLKIN_N	No	If PCIe is used, connect to a 100MHz PCIe compatible reference clock with HCSL-signal output, negative signal
S147/299	SATA_RX_P	PCIE_REFCLKIN_P	No	If PCIe is used, connect to a 100MHz PCIe compatible reference clock with HCSL-signal output, positive signal
S148/301	GND			
S149/303	GND			
S150/305	PCIE_CLK_P	PCIE_REFCLKOUT_P	No	
S151/307	PCIE_CLK_N	PCIE_REFCLKOUT_N	No	
S152/309	GND			
S153/311	PCIE_TX_P	PCIE_TX_P	No	
S154/313	PCIE_TX_N	PCIE_TX_N	No	
S155/315	GND			
S156/317	PCIE_RX_P	PCIE_RX_P	No	
S157/319	PCIE_RX_N	PCIE_RX_N	No	
S158/321	GND			

4 Pin Mapping

4.1 Functional Multiplexing on I/O Pins

There are a lot of different peripherals inside the i.MX 7Dual SoC. Many of these peripherals are connected to the IOMUX block, that allows the I/O pins to be configured to carry one of many (up to nine different) alternative functions. This leave great flexibility to select a function multiplexing scheme for the pins that satisfy the interface need for a particular application.

Some interfaces with specific voltage levels/drivers/transceivers have dedicated pins, like ADC, PCIe, MIPI-DSI, MIPI-CSI and USB. i.MX 7Dual pins carrying these signals do not have any functional multiplexing possibilities. These interfaces are fixed.

To keep compatibility between EACOM boards the EACOM specified pinning should be followed, but in general there are no restrictions to select alternative pin multiplexing schemes on the *iMX7 Dual COM Board*. Note that all EACOM-defined pins are not connected on some EACOM boards, typically because an interface is not supported or there are not enough free pins in the SoC. Further, some EACOM board pins are *type specific*, meaning that these pins might not be compatible with other EACOM boards. Using *type specific* pins may result in lost compatibility between EACOM boards, but not always. Always check details between EACOM boards of interest.

If switching between EACOM board is not needed, then pin multiplexing can be done without considering the EACOM pin allocation. A custom carrier board design is needed in this case.

Functional multiplexing is normally controlled via the Linux BSP. It can also be done directly via register `IOMUXC_LPSR_SW_MUX_CTL_PAD_XXX / IOMUXC_SW_MUX_CTL_PAD_XXX` where `XXX` is the name of the i.MX 7Dual pin. For more information about the register settings, see the *i.MX 7Dual Application Processor Reference Manual* from NXP.

Note that input functions that are available on multiple pins will require control of an input multiplexer. This is controlled via register `IOMUXC_XXX_SELECT_INPUT` where `XXX` is the name of the input function. Again, for more information about the register settings, see the *i.MX 7Dual Application Processor Reference Manual* from NXP.

4.1.1 Alternative I/O Function List

There is an accompanying Excel document that lists all alternative functions for each available I/O pin. The reset state is shown as well as the EACOM function allocation. The reset state is typically GPIO, ALT5 function, except for the GPIO1_IO01-15 signals that are ALT0 functions, but that is the GPIO function.

4.2 I/O Pin Control

Each pin also has an additional control register for configuring input hysteresis, pull up/down resistors, push-pull/open-drain driving, drive strength and more. Also in this case, configuration is normally done via the Linux BSP but it is possible to directly access the control registers, which are called `IOMUXC_SW_PAD_CTL_PAD_XXX` where `XXX` is the name of the i.MX 7Dual pin. For more information about the register settings, see the *i.MX 7Dual Application Processor Reference Manual* from NXP.

As a general recommendation, select slow slew rate and lowest drive strength (that still result in acceptable signal edges for the system) in order to reduce problems with EMC.

Note that many pins (but not all) are configured as GPIO inputs, with a 100Kohm pull-down resistor, after reset. When the bootloader (typically u-boot) executes it is possible to reconfigure the pins.

5 Interface Description

This chapter lists details about all different interfaces. The **i.MX 7Dual datasheet and user manual should always be consulted** for details about different functions and interfaces. Many interfaces are multiplexed on different pins and not available simultaneously.

Note that this chapter do not list all peripheral functions available on the i.MX7 Dual SoC. Only the ones related to the EACOM specification. For all available interfaces, consult *Chapter 8 - Chip IO and pinmux, Section 8.1 External Signals and Pin Multiplexing* in NXP's *i.MX 7Dual Applications Processor Reference Manual* (document id: IMX7DRM).

Example of peripheral blocks **not** listed in this chapter are listed below (see document IMX7DRM for details). Some of the blocks have multiple instances.

- CCM - Clock Controller Module
Besides internal clocks, this peripheral can generate external clocks.
- EIM - External Interface Module
This peripheral provides asynchronous access to devices with SRAM-like interface and synchronous access to devices with NOR-Flash-like or PSRAM-like interface.
- EPDC - Electrophoretic Display Controller
This peripheral is a controller for E-INK™ displays.
- FTM - Flex Timer
This peripheral is a flexible timer that supports input capture and can generate PWM signals.
- GPT - General Purpose Timer
This peripheral is a 32-bit general purpose timer with capture and trigger functions.
- KPP - Keypad Port
This peripheral provides a keypad matrix interface.
- SDMA - Smart Direct Memory Access Controller
This peripheral provides fast data transfers between peripheral I/O devices and internal/external memories
- SIM - Subscriber Identification Module
This peripheral provides an interface to SIM cards and is compatible with ISO/IEC 7816-3.
- WDOG - Watchdog Timer
This peripheral implements a watchdog timer.

There is an accompanying Excel document that lists all alternative functions for each available I/O pin.

5.1 Camera Interfaces

This section lists signals related to CMOS Sensor Interface (CSI) functions.

There are two camera interfaces, one parallel and one serial (MIPI-CSI2) input interface. One at a time is multiplexed to the CSI unit. The picture below illustrates the multiplexing and where the EACOM allocated interface are connected. Note that the 8-bit parallel camera interface of the *EACOM Board specification* has not been allocated.

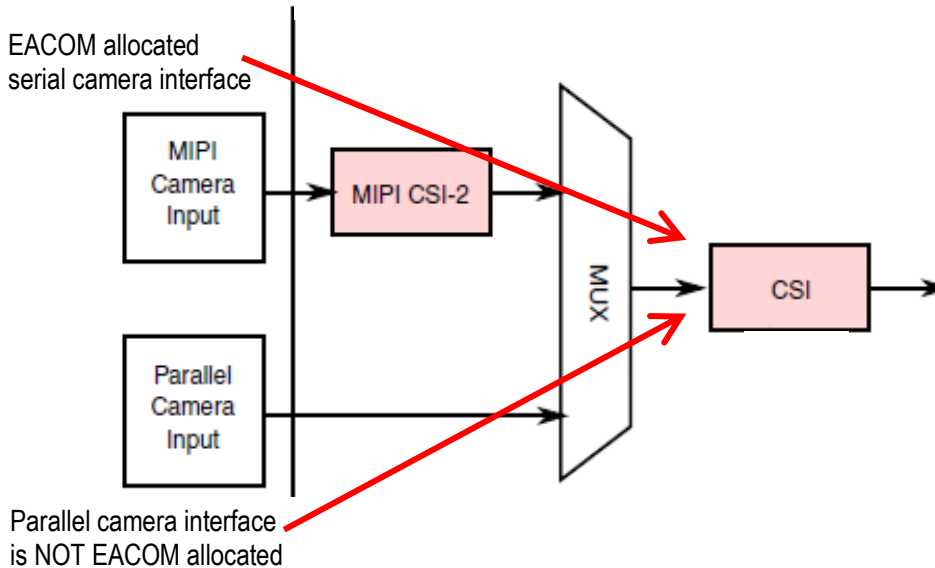


Figure 4 – Camera Port Multiplexing Scheme

5.1.1 Parallel Camera Interface

This section lists signals for the parallel camera interface.

The *EACOM Board specification* defines an 8-bit parallel camera interface. This interface has not been allocated.

The table below lists the pin assignment that has been done on the pins that are associated with the 8-bit parallel camera input interface of the *EACOM Board specification*.

EACOM Board Pin	EACOM Board Name	i.MX 7 Ball Name	I/O	Description	Remarks
S116/237	CSI_MCLK	GPIO1_IO10- ETH_PHY_MDIO	I/O		Non-standard pin allocation. Signal allocated for ETH_PHY_MDIO and used by on-board Ethernet-PHY. Signal can be used for external Ethernet-PHY for second Ethernet interface.
S117/239	CSI_PIXCLK				Non-standard pin allocation. Do not connect to this pin. Internally it is connected to the PMIC interrupt.
S114/233	CSI_HSYNC				Not connected.
S115/235	CSI_VSYNC	GPIO1_IO11/ ETH_PHY_MDC	O		Non-standard pin allocation. Signal allocated for ETH_PHY_MDC and used by on-board Ethernet-PHY. Signal can be used for external Ethernet-PHY for second Ethernet interface.
S119/243	CSI_D0	SD1_VSELECT	I		Non-standard pin allocation. Input to control voltage level of SD interface. Leave open for 3.3V interface voltage. Pull signal high for 1.8V interface voltage. Connect to GPIO1_IO08 to control SD interface

				voltage via GPIO.
S120/245	CSI_D1	SNVS_TAMPER9	I	Non-standard pin allocation.
S121/247	CSI_D2	EPDC_SDSHR	I/O	Non-standard pin allocation.
S122/249	CSI_D3	SD2_CD	I/O	Non-standard pin allocation.
S123/251	CSI_D4	SD2_RESET	I/O	Non-standard pin allocation.
S124/253	CSI_D5	SD2_WP	I/O	Non-standard pin allocation.
S125/255	CSI_D6			Not connected.
S126/257	CSI_D7			Not connected.

The table below lists the alternative pin locations for the parallel camera interface.

EACOM Board Pin	EACOM Board Name	i.MX 7 Ball Name	I/O	Description	Remarks
S59/117	LCD_R1	LCD1_DATA17	I	Data Sensor Signal	Alternative location for CSI_DATA00
S58/115	LCD_R0	LCD1_DATA16	I	Data Sensor Signal	Alternative location for CSI_DATA01
P126/260	SPI-A_CLK	ECSPI1_SCLK	I	Data Sensor Signal	Alternative location for CSI_DATA02
S73/145	LCD_G7	LCD1_DATA15	I	Data Sensor Signal	Alternative location for CSI_DATA02
P124/256	SPI-A_MOSI	ECSPI1_MOSI	I	Data Sensor Signal	Alternative location for CSI_DATA03
S72/143	LCD_G6	LCD1_DATA14	I	Data Sensor Signal	Alternative location for CSI_DATA03
P125/258	SPI-A_MISO	ECSPI1_MISO	I	Data Sensor Signal	Alternative location for CSI_DATA04
S71/141	LCD_G5	LCD1_DATA13	I	Data Sensor Signal	Alternative location for CSI_DATA04
P123/254	SPI-A_SSEL	ECSPI1_SS0	I	Data Sensor Signal	Alternative location for CSI_DATA05
S70/139	LCD_G4	LCD1_DATA12	I	Data Sensor Signal	Alternative location for CSI_DATA05
P122/252	SPI-B_CLK	ECSPI2_SCLK	I	Data Sensor Signal	Alternative location for CSI_DATA06
S69/137	LCD_G3	LCD1_DATA11	I	Data Sensor Signal	Alternative location for CSI_DATA06
P120/248	SPI-B_MOSI	ECSPI2_MOSI	I	Data Sensor Signal	Alternative location for CSI_DATA07
S68/135	LCD_G2	LCD1_DATA10	I	Data Sensor Signal	Alternative location for CSI_DATA07
P121/250	SPI-B_MISO	ECSPI2_MISO	I	Data Sensor Signal	Alternative location for CSI_DATA08
S67/133	LCD_G1	LCD1_DATA09	I	Data Sensor Signal	Alternative location for CSI_DATA08
P119/246	SPI-B_SSEL	ECSPI2_SS0	I	Data Sensor Signal	Alternative location for CSI_DATA09
S66/131	LCD_G0	LCD1_DATA08	I	Data Sensor Signal	Alternative location for CSI_DATA09
S65/129	LCD_R7	LCD1_DATA23	I	Data Sensor Signal	Alternative location for CSI_DATA10
S64/127	LCD_R6	LCD1_DATA22	I	Data Sensor Signal	Alternative location for CSI_DATA11
S63/125	LCD_R5	LCD1_DATA21	I	Data Sensor Signal	Alternative location for CSI_DATA12
S62/123	LCD_R4	LCD1_DATA20	I	Data Sensor Signal	Alternative location for CSI_DATA13
S61/121	LCD_R3	LCD1_DATA19	I	Data Sensor Signal	Alternative location for CSI_DATA14
S60/119	LCD_R2	LCD1_DATA18	I	Data Sensor Signal	Alternative location for CSI_DATA15
S83/171	LCD_CLK	LCD1_CLK	I	Data Sensor Signal	Alternative location for CSI_DATA16
S87/179	LCD_ENABLE	LCD1_ENABLE	I	Data Sensor Signal	Alternative location for CSI_DATA17
S85/175	LCD_HSYNC	LCD1_HSYNC	I	Data Sensor Signal	Alternative location for CSI_DATA18
S86/177	LCD_VSYNC	LCD1_VSYNC	I	Data Sensor Signal	Alternative location for CSI_DATA19
S75/149	LCD_B0	LCD1_DATA00	I	Data Sensor Signal	Alternative location for CSI_DATA20
S76/157	LCD_B1	LCD1_DATA01	I	Data Sensor Signal	Alternative location for CSI_DATA21

S77/159	LCD_B2	LCD1_DATA02	I	Data Sensor Signal	Alternative location for CSI_DATA22
S78/161	LCD_B3	LCD1_DATA03	I	Data Sensor Signal	Alternative location for CSI_DATA23
S84/173	GPIO7	LCD1_RESET	I	CSI Field Signal	Alternative location for CSI_FIELD
S50/99	HDMI/I2C-C_SDA	I2C3_SDA	I	Horizontal Sync	Alternative location for CSI_HSYNC Note that there is a 2.2Kohm pull-up resistor on this signal.
S80/165	LCD_B5	LCD1_DATA05	I	Horizontal Sync	Alternative location for CSI_HSYNC
S112/229	COM specific	I2C4_SDA	O	Master Clock	Alternative location for CSI_MCLK
S82/169	LCD_B7	LCD1_DATA07	O	Master Clock	Alternative location for CSI_MCLK
S113/231	COM specific	I2C4_SCL	I	Pixel Clock	Alternative location for CSI_PIXCLK
S81/167	LCD_B6	LCD1_DATA06	I	Pixel Clock	Alternative location for CSI_PIXCLK
S51/101	HDMI/I2C-C_SCL	I2C3_SCL	I	Vertical Sync	Alternative location for CSI_VSYNC Note that there is a 2.2Kohm pull-up resistor on this signal.
S79/163	LCD_B4	LCD1_DATA04	I	Vertical Sync	Alternative location for CSI_VSYNC

The CSI can support connection with the sensor as follows.

- To connect with a 8-bit sensor, the sensor data interface should connect to CSI_DATA[9:2].
- To connect with a 10-bit sensor, the sensor data interface should connect to CSI_DATA[9:0].
- To connect with a 16-bit sensor, the sensor data interface should connect to CSI_DATA[15:0].
- To connect with two 8-bit sensors, the sensor data interfaces should connect to CSI_DATA[7:0] and CSI_DATA[15:8], respectively.

The CSI input data format mapping is shown in the table below.

Internal CSI Signal Name	TVdecoder YCbCr 1 cycle	RGB888 1 cycle	RGB888/ YUV4444 3 cycles	RGB666 1 cycle	RGB565 1 cycle	YCbCr422 1 cycle	YCbCr422 2 cycles	Generic 10 bit	CCIR656
CSI_DATA23	Y7	R7		R5					
CSI_DATA22	Y6	R6		R4					
CSI_DATA21	Y5	R5		R3					
CSI_DATA20	Y4	R4		R2					
CSI_DATA19	Y3	R3		R1					
CSI_DATA18	Y2	R2		R0					
CSI_DATA17	Y1	R1		Y5					
CSI_DATA16	Y0	R0		Y4					
CSI_DATA15	Cb7	G7		G5	R4	Y7			
CSI_DATA14	Cb6	G6		G4	R3	Y6			
CSI_DATA13	Cb5	G5		G3	R2	Y5			
CSI_DATA12	Cb4	G4		G2	R1	Y4			
CSI_DATA11	Cb3	G3		G1	R0	Y3			
CSI_DATA10	Cb2	G2		G0	G5	Y2			
CSI_DATA09	Cb1	G1	R7/G7/B7	G5	G4	Y1	Y7/C7	Ge9	C7/Y7
CSI_DATA08	Cb0	G0	R6/G6/B6	G4	G3	Y0	Y6/C6	Ge8	C6/Y6
CSI_DATA07	Cr7	B7	R5/G5/B5	B5	G2	C7	Y5/C5	Ge7	C5/Y5

CSI_DATA06	Cr6	B6	R4/G4/B4	B4	G1	C6	Y4/C4	Ge6	C4/Y4
CSI_DATA05	Cr5	B5	R3/G3/B3	B3	G0	C5	Y3/C3	Ge5	C3/Y3
CSI_DATA04	Cr4	B4	R2/G2/B2	B2	B4	C4	Y2/C2	Ge4	C2/Y2
CSI_DATA03	Cr3	B3	R1/G1/B1	B1	B3	C3	Y1/C1	Ge3	C1/Y1
CSI_DATA02	Cr2	B2	R0/G0/B0	B0	B2	C2	Y0/C0	Ge2	C0/Y0
CSI_DATA01	Cr1	B1		B5	B1	C1		Ge1	
CSI_DATA00	Cr0	B0		B4	B0	C0		Ge0	

5.1.2 Serial Camera Interface

This section lists signals for the serial camera interface, also called MIPI-CSI2.

The *EACOM Board specification* defines an serial camera interface, MIPI-CSI2 with up to 2 lanes. The table below lists the pin assignment according to *EACOM Board specification*.

EACOM Board Pin	EACOM Board Name	i.MX 7 Ball Name	I/O	Description	Remarks
S141/287	CSI_CLK_P	MIPI_CSI_CLK0P	I	Positive D-Phy differential clock line Receiver input	
S140/285	CSI_CLK_N	MIPI_CSI_CLK0N	I	Negative D-Phy differential clock line Receiver input	
S138/281	CSI_D0_P	MIPI_CSI_D0P	I	Positive D-Phy differential data line Receiver input , Lane 0	
S137/279	CSI_D0_N	MIPI_CSI_D0N	I	Negative D-Phy differential data line Receiver input , Lane 0	
S135/275	CSI_D1_P	MIPI_CSI_D1P	I	Positive D-Phy differential data line Receiver input , Lane 1	
S134/273	CSI_D1_N	MIPI_CSI_D1N	I	Negative D-Phy differential data line Receiver input , Lane 1	
S132/269	CSI_D2_P				Not connected
S131/267	CSI_D2_N				Not connected
S129/263	CSI_D3_P				Not connected
S128/261	CSI_D3_N				Not connected

5.2 Display Interfaces

This section lists signals related to display output interfaces; parallel RGB (Enhanced LCD Interface - eLCDIF) and MIPI-DSI transmitter.

The i.MX 7Dual SoC has a display and graphics subsystem with dedicated components:

- PXP pixel pipeline: pixel/image processing engine for LCD display
- LCD interface (LCDIF), which is 24-bit parallel RGB LCD interface
- CSI interface with up to 24-bit parallel interface for image sensor
- EPDC interface for E-INK™ displays. This interface will not be presented further in this document. For more details, see NXP document IMX7DRM.

The picture below shows the high-level structure of the display and graphics subsystem. It picture comes from chapter 13 - Multimedia in the IMX7DRM.

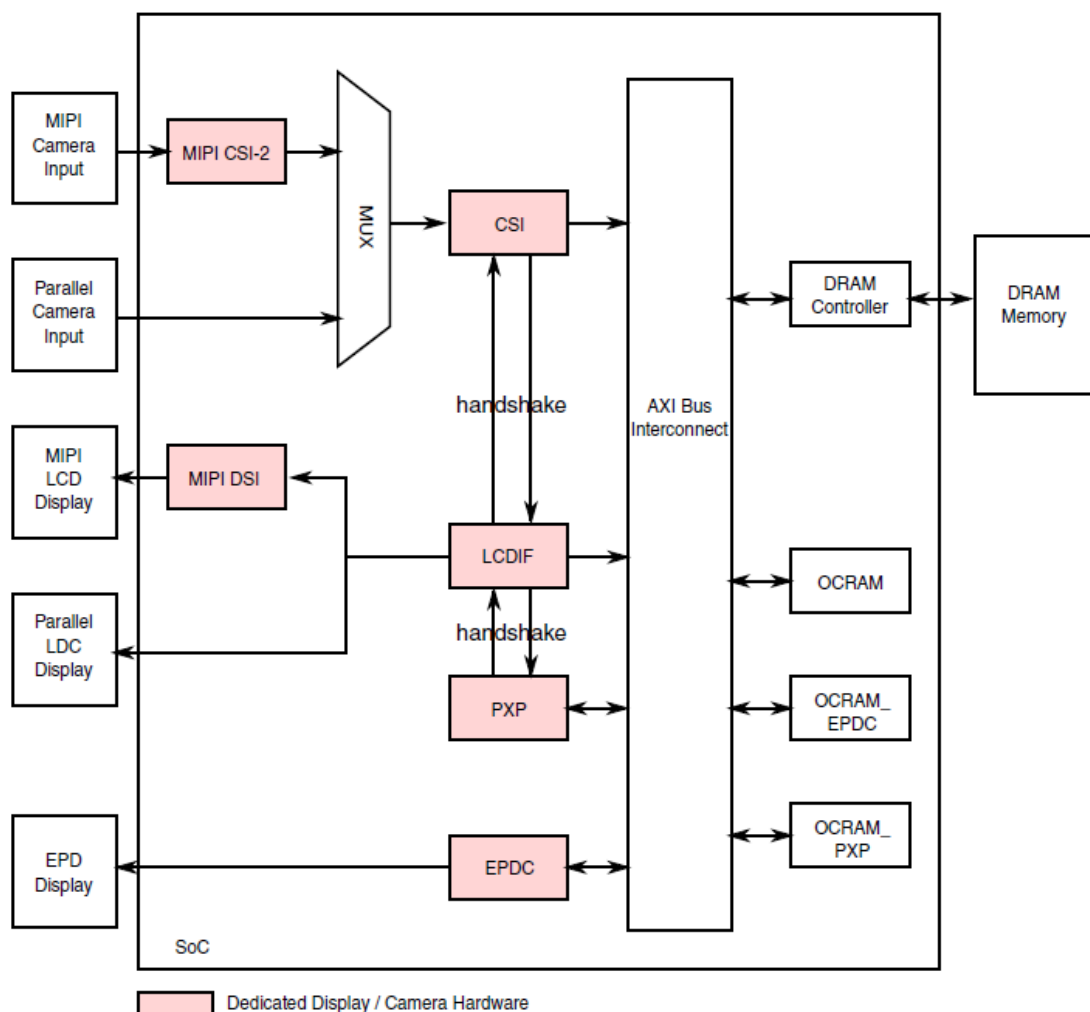


Figure 5 – Structure of Display and Graphics Subsystem

The *i.MX 7Dual COM board* has allocated pins (according to the *EACOM Board specification*) for one serial camera input, a parallel RGB LCD output and a serial display output. The *EACOM* pins for LVDS and HDMI output interfaces are not allocated since the *i.MX 7Dual SoC* does not support these interfaces. The serial camera interface is presented in section 5.1 .

The *EACOM Board specification* has allocated some additional support signals that are typically needed to implement a display interface. The table below list these signals. These are common for all display interfaces.

EACOM Board Pin	EACOM Board Name	i.MX 7 Ball Name	I/O	Description	Remarks
S56/111	BL_PWM	GPIO1_IO01	O	PWM signal to control backlight contrast.	Signal is connected to PWM1_OUT
S55/109	BL_PWR_EN	EPDC_GDCLK	O	Power control for backlight. Active high	Signal is connected to GPIO2_IO24
S54/107	DISP_PWR_EN	EPDC_GDOE	O	Power control for LCD power supply. Active high	Signal is connected to GPIO2_IO25
S53/105	TP_IRQ	EPDC_GDRL	I	Interrupt from touch controller	Signal is connected to GPIO2_IO26
S52/103	TP_RST	EPDC_GDSP	O	Reset signal to touch controller. Active low	Signal is connected to GPIO2_IO27
S47/93	I2C-A_SCL	I2C1_SCL	I/O	Clock signal of I2C channel A	It is recommended to connect the RGB LCD touch controller (if I2C interface) to this channel.
S46/91	I2C-A_SDA	I2C1_SDA	I/O	Data signal of I2C channel A	It is recommended to connect the RGB LCD touch controller (if I2C interface) to this channel.
S49/97	I2C-B_SCL	I2C2_SCL	I/O	Clock signal of I2C channel B	A touch controller can be connected to this I2C channels also, but will require adjustment in Linux BSP.
S48/95	I2C-B_SDA	I2C2_SDA	I/O	Data signal of I2C channel B	A touch controller can be connected to this I2C channels also, but will require adjustment in Linux BSP.
S51/101	I2C-C_SCL	I2C3_SCL	I/O	Clock signal of I2C channel C	A touch controller can be connected to this I2C channels also, but will require adjustment in Linux BSP.
S50/99	I2C-C_SDA	I2C3_SDA	I/O	Data signal of I2C channel C	A touch controller can be connected to this I2C channels also, but will require adjustment in Linux BSP.

5.2.1 Parallel RGB LCD Interface

This section lists signals for the parallel RGB LCD interface.

The parallel RGB LCD interface with 24-bit color depth. It can for example drive 1080p (1920x1080 pixel) at 60 fps.

The parallel RGB LCD interface is ideal for smaller, lower resolution displays. Note that due to EMI MIPI-DSI might be better choices of interface for high resolution displays.

Note that both the parallel RGB and MIPI-DSI interfaces will carry the same display output data. Only one display output data stream is possible at a time.

The *EACOM Board specification* defines a 24-bit parallel LCD interface. The table below lists the pin assignment according to *EACOM Board specification*. For best portability it is recommended to always have the LCD interface running in 24-bit mode. If less bits are needed in a specific LCD implementation the LSB bits of each color is just ignored, see the three rightmost columns.

EACOM Board Pin	EACOM Board Name	i.MX 7 Ball Name	I/O	Color Config. for 16-bit 565RGB	Color Config. for 18-bit 666RGB	Color Config. for 16-bit 565RGB if interface set to 24-bit	Color Config. for 18-bit 666RGB if interface set to 24-bit	Color Config. for 24-bit 888RGB
S75/149	LCD_DATA00	LCD1_DATA00	O	B0	B0			B0
S76/157	LCD_DATA01	LCD1_DATA01	O	B1	B1			B1
S77/159	LCD_DATA02	LCD1_DATA02	O	B2	B2		B2	B2
S78/161	LCD_DATA03	LCD1_DATA03	O	B3	B3	B3	B3	B3
S79/163	LCD_DATA04	LCD1_DATA04	O	B4	B4	B4	B4	B4
S80/165	LCD_DATA05	LCD1_DATA05	O	G0	B5	B5	B5	B5
S81/167	LCD_DATA06	LCD1_DATA06	O	G1	G0	B6	B6	B6
S82/169	LCD_DATA07	LCD1_DATA07	O	G2	G1	B7	B7	B7
S66/131	LCD_DATA08	LCD1_DATA08	O	G3	G2			G0
S67/133	LCD_DATA09	LCD1_DATA09	O	G4	G3			G1
S68/135	LCD_DATA10	LCD1_DATA10	O	G7	G4	G2	G2	G2
S69/137	LCD_DATA11	LCD1_DATA11	O	R0	G5	G3	G3	G3
S70/139	LCD_DATA12	LCD1_DATA12	O	R1	R0	G4	G4	G4
S71/141	LCD_DATA13	LCD1_DATA13	O	R2	R1	G5	G5	G5
S72/143	LCD_DATA14	LCD1_DATA14	O	R3	R2	G6	G6	G6
S73/145	LCD_DATA15	LCD1_DATA15	O	R4	R3	G7	G7	G7
S58/115	LCD_DATA16	LCD1_DATA16	O		R4			R0
S59/117	LCD_DATA17	LCD1_DATA17	O		R5			R1
S60/119	LCD_DATA18	LCD1_DATA18	O				R2	R2
S61/121	LCD_DATA19	LCD1_DATA19	O			R3	R3	R3
S62/123	LCD_DATA20	LCD1_DATA20	O			R4	R4	R4
S63/125	LCD_DATA21	LCD1_DATA21	O			R5	R5	R5
S64/127	LCD_DATA22	LCD1_DATA22	O			R6	R6	R6
S65/129	LCD_DATA23	LCD1_DATA23	O			R7	R7	R7
S85/175	LCD_HSYNC	LCD1_HSYNC	O	Horizontal (line) synchronization				
S86/177	LCD_VSYNC	LCD1_VSYNC	O	Vertical (frame) synchronization				
S87/179	LCD_ENABLE	LCD1_ENABLE	O	Data enable				
S83/171	LCD_CLK	LCD1_CLK	O	Pixel (dot) clock				

Note that the eLCDIF peripheral in the i.MX 7Dual SoC also supports MPU-like display interfaces. See chapter 13, section 13.2 in IMX7DRM for more details.

5.2.2 MIPI-DSI Interface

This section lists signals for the MIPI-DSI interface. The interface supports display resolutions up to 1400x1050 pixels (SXGA+) with 24-bit resolution at 60 fps.

Note that both the parallel RGB and MIPI-DSI interfaces will carry the same display output data. Only one display output data stream is possible at a time.

The *EACOM Board specification* has not allocated pins for this interface, since it is mostly used in very high volume applications (where COM boards are not so commonly used). The MIPI-DSI interface supports two data lanes and together with the clock signal, six pins as been used.

EACOM Board Pin	EACOM Board Name	i.MX 7 Ball Name	I/O	Description	Remarks
S102/209	COM specific	MIPI_DSI_CLK0M	O	Differential clock pair, negative signal	
S103/211	COM specific	MIPI_DSI_CLK0P	O	Differential clock pair, positive signal	
S99/203	COM specific	MIPI_DSI_D0M	I/O	Differential data pair #0, negative signal	
S100/205	COM specific	MIPI_DSI_D0P	I/O	Differential data pair #0, positive signal	
S96/197	AIN1	Optionally MIPI_DSI_D1M	O	Differential data pair #1, negative signal	Note that this signal is not available by default.
S97/199	AIN0	Optionally MIPI_DSI_D1P	O	Differential data pair #1, positive signal	Note that this signal is not available by default.

5.3 Digital Audio Interfaces: Synchronous Audio Interfaces (SAI)

This section lists signals related to the Digital Audio Interfaces.

The i.MX 7 SoC contains an audio subsystem. It consists of three Synchronous Audio Interfaces (SAI1-SAI3) and a Medium Quality Speaker Interface (MQS). In addition, the IOMUX block allows the signals to get in and out of the SoC via configured pins.

Each SAI block is a full-duplex serial port with frame synchronization that allows communication with external devices using a variety of serial protocols (like I2S, AC-97, TDM and codec/DSP interfaces), up to 32-bits per word and different clock/frame options.

The three SAI interfaces and MQS block are directly connected to the IOMUX.

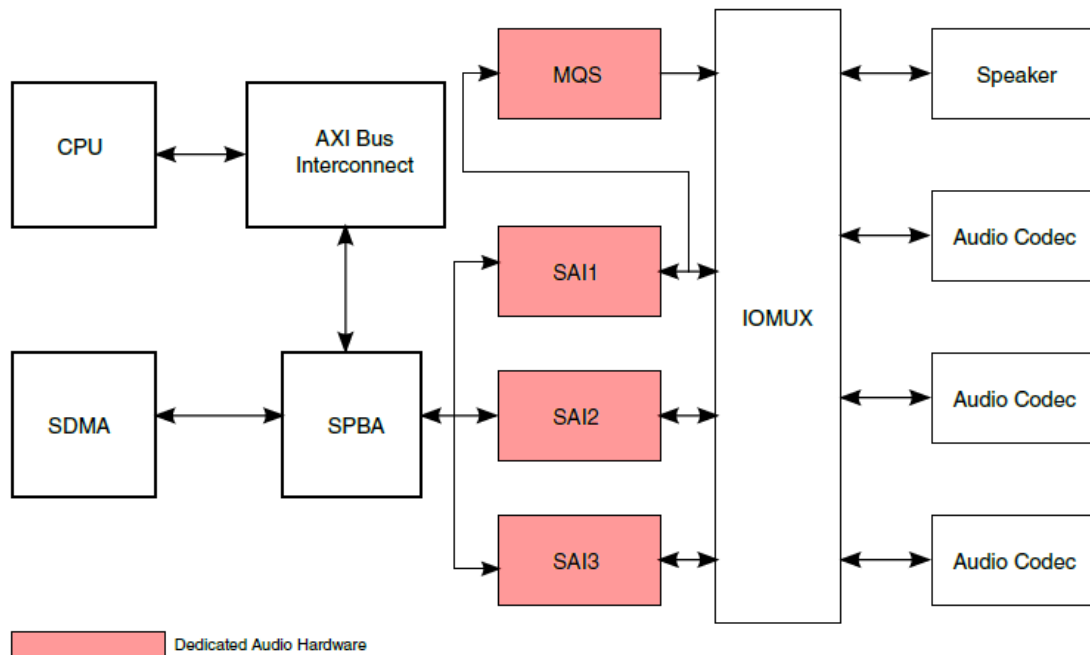


Figure 6 – Audio Subsystem Block Diagram

The table below lists pins that have been allocated according to the *EACOM Board specification*. The SAI1 port is used with **synchronous** transmit and receive sections (meaning that transmit and receive share the clock and frame synch signals).

EACOM Board Pin	EACOM Board Name	i.MX 7 Ball Name	I/O	Description	Remarks
S5/9	AUDIO_RXD	SAI1_RXD	I	Data receive signal	Alternative function SAI1_RXD
S6/11	AUDIO_TXC	SAI1_TXC	O	Transmit clock signal. Also work as Receive clock signal	Alternative function SAI1_TXC
S7/13	AUDIO_TXD	SAI1_TXD	O	Data transmit signal	Alternative function SAI1_TXD
S4/7	AUDIO_TXFS	SAI1_TXFS	O	Transmit Frame sync signal. Also work as Receive Frame sync signal	Alternative function SAI1_TXFS
S8/15	AUDIO_MCLK	SAI1_MCLK	O	Clock output signal	Alternative function SAI1_MCLK

Besides the SAI port #1 signals allocated in the *EACOM Board specification* there are more (alternative) pins for the SAI1 interface. The table below lists these pins.

EACOM Board Pin	EACOM Board Name	i.MX 7 Ball Name	I/O	Description	Remarks
S56/111	BL_PWM	GPIO1_IO01	I/O	Audio Master Clock	Alternative function SAI1_MCLK
S2/3	MQS_LEFT	SAI1_RXC	I/O	Receive Bit Clock	Alternative function SAI1_RX_BCLK
S1/1	MQS_RIGHT	SAI1_RXFS	I/O	Receive Frame Sync	Alternative function SAI1_RX_SYNC

The table below lists pins available for the SAI2 interface.

EACOM Board Pin	EACOM Board Name	i.MX 7 Ball Name	I/O	Description	Remarks
S19/37	GPIO9	GPIO1_IO02	I/O	Audio Master Clock	Alternative function SAI2_MCLK
S8/15	AUDIO_MCLK	SAI1_MCLK	I/O	Audio Master Clock	Alternative function SAI2_MCLK
S123/251	CSI_D4	SD2_RESET_B	I/O	Audio Master Clock	Alternative function SAI2_MCLK
S2/3	MQS_LEFT	SAI1_RXC	I/O	Receive Bit Clock	Alternative function SAI2_RX_BCLK
P18/36	MMC_CMD	SD2_CMD	I/O	Receive Bit Clock	Alternative function SAI2_RX_BCLK
P131/270	UART-B_CTS	SAI2_RXD	I	Receive Data	Alternative function SAI2_RX_DATA
P13/26	MMC_D0	SD2_DATA0	I	Receive Data	Alternative function SAI2_RX_DATA
S1/1	MQS_RIGHT	SAI1_RXFS	I/O	Receive Frame Sync	Alternative function SAI2_RX_SYNC
P16/32	MMC_CLK	SD2_CLK	I/O	Receive Frame Sync	Alternative function SAI2_RX_SYNC
P136/280	UART-A_RTS	SAI2_TXC	I/O	Transmit Bit Clock	Alternative function SAI2_TX_BCLK
P12/24	MMC_D1	SD2_DATA1	I/O	Transmit Bit Clock	Alternative function SAI2_TX_BCLK
P132/272	UART-B_RTS	SAI2_TXD	O	Transmit Data	Alternative function SAI2_TX_DATA
P20/40	MMC_D3	SD2_DATA3	O	Transmit Data	Alternative function SAI2_TX_DATA
P135/278	UART-A_CTS	SAI2_TXFS	I/O	Transmit Frame Sync	Alternative function SAI2_TX_SYNC
P21/42	MMC_D2	SD2_DATA2	I/O	Transmit Frame Sync	Alternative function SAI2_TX_SYNC

The table below lists pins available for the SAI3 interface.

EACOM Board Pin	EACOM Board Name	i.MX 7 Ball Name	I/O	Description	Remarks
P138/284	PWM	GPIO1_IO03	I/O	Audio Master Clock	Alternative function SAI3_MCLK
P4/8	GPIO3	SD1_RESET_B	I/O	Audio Master Clock	Alternative function SAI3_MCLK
P137/282	UART-A_TXD	UART1_TXD	I/O	Audio Master Clock	Alternative function SAI3_MCLK
P8/16	SD_CMD	SD1_CMD	I/O	Receive Bit Clock	Alternative function SAI3_RX_BCLK
P130/268	UART-B_RXD	UART2_RXD	I/O	Receive Bit Clock	Alternative function SAI3_RX_BCLK
P6/12	SD_D0	SD1_DATA0	I	Receive Data	Alternative function SAI3_RX_DATA
P133/274	UART-B_TXD	UART2_TXD	I	Receive Data	Alternative function SAI3_RX_DATA
P7/14	SD_CLK	SD1_CLK	I/O	Receive Frame Sync	Alternative function SAI3_RX_SYNC
P128/264	UART-C_RXD	UART3_RXD	I/O	Receive Frame Sync	Alternative function SAI3_RX_SYNC
P5/10	SD_D1	SD1_DATA1	I/O	Transmit Bit Clock	Alternative function SAI3_TX_BCLK
P129/266	UART-C_TXD	UART3_TXD	I/O	Transmit Bit Clock	Alternative function SAI3_TX_BCLK
P9/18	SD_D3	SD1_DATA3	O	Transmit Data	Alternative function SAI3_TX_DATA
P116/240	COM specific	UART3_RTS	O	Transmit Data	Alternative function SAI3_TX_DATA
P10/20	SD_D2	SD1_DATA2	I/O	Transmit Frame Sync	Alternative function SAI3_TX_SYNC
P113/234	COM specific	UART3_CTS	I/O	Transmit Frame Sync	Alternative function SAI3_TX_SYNC

5.4 Digital Audio Interface: Medium Quality Speaker (MQS)

This section lists signals related to the Medium Quality Speaker (MQS) function.

The i.MX 7 SoC has one MQS block that can generate audio via PWM modulation on digital output pins. It convert the I2S audio data from SAI1 to PWM signals that can drive external speaker directly. MQS provides only simple audio reproduction. No internal pop, click or distortion artifact reduction methods are provided.

See *Figure 6* on page 32 for a block diagram how the MQS block is connected.

The EACOM Board specification defines a stereo output for MQS sound signals. The table below lists the pin assignment according to EACOM Board specification.

EACOM Board Pin	EACOM Board Name	i.MX 7 Ball Name	I/O	Description	Remarks
S2/3	MQS_LEFT	SAI1_RXC	O	Left signal output	Alternative function MQS_LEFT
S1/1	MQS_RIGHT	SAI1_RXFS	O	Right signal output	Alternative function MQS_RIGHT

The table below lists these the alternative pin locations are.

EACOM Board Pin	EACOM Board Name	i.MX 7 Ball Name	I/O	Description	Remarks
P18/36	MMC_CMD	SD2_CMD	O	Left signal output	Alternative function MQS_LEFT
P16/32	MMC_CLK	SD2_CLK	O	Right signal output	Alternative function MQS_RIGHT

5.5 Ethernet

This section lists signals related to the Ethernet interface.

The i.MX 7 has two Gigabit Ethernet controllers (10/100/1000Mbps) that are IEEE1588 compliant. There is one on-board 10/100/1000 Mbps Ethernet interface. Atheros AR8031 Integrated 10/100/1000 Mbps Ethernet Transceiver is used as PHY and is connected via the RGMII interface to the i.MX 7 SoC.

The *EACOM Board Specification* defines two Ethernet interfaces. The i.MX 7 SoC Ethernet interface is assigned to ETH1. ETH2 is left unconnected.

If a second Ethernet interface is needed it must be implemented with an external Ethernet-PHY.

The Ethernet interface consists of 4 pairs of low voltage differential pair signals plus three link indicator activity signals. These signals can be used to connect to a 10/100/1000 BaseT RJ45 connector with integrated or external isolation magnetics on the carrier board.

EACOM Board Pin	EACOM Board Name	AR8031 Pin	I/O	Description	Remarks
P39/78	ETH1_TRXP0	AR8031 #1 pin 11	I/O	Media Dependent Interface	
P40/80	ETH1_TRXN0	AR8031 #1 pin 12	I/O	Media Dependent Interface	
P36/72	ETH1_TRXP1	AR8031 #1 pin 14	I/O	Media Dependent Interface	
P37/74	ETH1_TRXN1	AR8031 #1 pin 15	I/O	Media Dependent Interface	
P48/96	ETH1_TRXP2	AR8031 #1 pin 17	I/O	Media Dependent Interface	
P47/94	ETH1_TRXN2	AR8031 #1 pin 18	I/O	Media Dependent Interface	
P45/90	ETH1_TRXP3	AR8031 #1 pin 20	I/O	Media Dependent Interface	
P44/88	ETH1_TRXN3	AR8031 #1 pin 21	I/O	Media Dependent Interface	
P42/84	ETH1_LED_ACT	AR8031 #1 pin 23	O	LED indicator output	Signal toggles during TX/RX activity.
P43/86	ETH1_LED_LINK	AR8031 #1 pin 26	O	LED indicator output	Signal high when 100M link is active.
P41/82	ETH1_LED_LINK1000	AR8031 #1 pin 24	O	LED indicator output	Signal high when 1000M link is connected or active.
P53/106	ETH2_TRXP0				ETH2 interface not connected
P54/108	ETH2_TRXN0				ETH2 interface not connected
P50/100	ETH2_TRXP1				ETH2 interface not connected
P51/102	ETH2_TRXN1				ETH2 interface not connected
P62/124	ETH2_TRXP2				ETH2 interface not connected
P61/122	ETH2_TRXN2				ETH2 interface not connected
P59/118	ETH2_TRXP3				ETH2 interface not connected
P58/116	ETH2_TRXN3				ETH2 interface not connected
P56/112	ETH2_LED_ACT				ETH2 interface not connected
P57/114	ETH2_LED_LINK100				ETH2 interface not connected
P55/110	ETH2_LED_LINK1000				ETH2 interface not connected

The on-board PHY can be powered down in order to lower the power consumption to a minimum.

If only fast Ethernet is required, 10/100Mbit magnetics with only 2 lanes are sufficient. In this case, MDI2 and MDI3 can be left unconnected.

Below is a list of suggested magnetics for 10/100/1000 Mbps Gigabit Ethernet operation:

Vendor	P/N	Package	Temp	Configuration
HanRun	HR911060C	Integrated RJ45	0 - 70° Celsius	HP Auto-MDIX
Halo	HFJ11-1G02E	Integrated RJ45	0 - 70° Celsius	HP Auto-MDIX
UDE	RB1-BA6BT9WA	Integrated RJ45	0 - 70° Celsius	HP Auto-MDIX
Pulse Electronics (Recommended by Atheros)	H5007	24-pin SOIC-W	0 - 70° Celsius	HP Auto-MDIX
Halo	TG1G-S002NZRL	24-pin SOIC-W	-40 - 85° Celsius	HP Auto-MDIX
UDE	RB1-BA6BT9WA	Integrated RJ45	-40 - 85° Celsius	HP Auto-MDIX
Halo	TG1G-E012NZRL	24-pin SOIC-W	-40 - 85° Celsius	HP Auto-MDIX

5.5.1 Second Ethernet Interface

A second Ethernet interface can be implemented with an external Ethernet-PHY. See section 11.1 - Ethernet MAC (ENET) in the iMX7 Dual Reference Manual, document IMX7DRM.

The i.MX 7 supports the MII, RMII and RGMII interfaces and can be connected to any industry standard Ethernet-PHY. The table below lists the signals used when connecting to a second (external) Ethernet-PHY.

EACOM Board Pin	EACOM Board Name	i.MX 7 Ball Name	I/O	Description	MII interface	RMII interface	RGMII interface
P92/192	COM specific	EPDC1_PWRSTAT	I	Pin carry alternative signal ENET2_COL	MII_COL	-	-
P93/194	COM specific	EPDC1_PWRCOM	I	Pin carry alternative signal ENET2_CRS	MII_CRS	-	-
P114/236	COM specific	EPDC1_BDR1	I	Pin carry alternative signal ENET2_RX_CLK	MII_RX_CLK	-	-
P115/238	COM specific	EPDC1_BDR0	O	Pin carry alternative signal ENET2_TX_CLK	MII_TX_CLK	50MHz ref clock	-
S52/103	TP_RST	EPDC1_GDSP	O	Pin carry alternative signal ENET2_TX_ER	MII_TX_ER	-	RGMII_TXC
P96/200	COM specific	EPDC1_SDCLK	I	Pin carry alternative signal RGMII2_RD0	MII_RD0	RMII_RXD0	RGMII_RXD0
P95/198	COM specific	EPDC1_SDLE	I	Pin carry alternative signal RGMII2_RD1	MII_RD1	RMII_RXD1	RGMII_RXD1
P94/196	COM specific	EPDC1_SDOE	I	Pin carry alternative signal RGMII2_RD2	MII_RD2	-	RGMII_RXD2
S121/247	CSI_D2	EPDC1_SDSHR	I	Pin carry alternative signal RGMII2_RD3	MII_RD3	-	RGMII_RXD3
P140/288	GPIO1	EPDC1_SDCE0	I	Pin carry alternative signal RGMII2_RX_CTL	MII_RX_DV	RMII_CRS_DV	RGMII_RX_CTL
P139/286	GPIO2	EPDC1_SDCE1	I	Pin carry alternative signal RGMII2_RXC	MII_RX_ER	RMII_RXER	RGMII_RXC
P2/4	GPIO5	EPDC1_SDCE2	O	Pin carry alternative signal RGMII2_TD0	MII_TD0	RMII_TXD0	RGMII_TXD0
P1/2	GPIO6	EPDC1_SDCE3	O	Pin carry alternative	MII_TD1	RMII_TXD1	RGMII_TXD1

signal RGMII2_TD1							
S55/109	BL_PWR_EN	EPDC1_GDCLK	O	Pin carry alternative signal RGMII2_TD2	MII_TD2	-	RGMII_TXD2
S54/107	DISP_PWR_EN	EPDC1_GDOE	O	Pin carry alternative signal RGMII2_TD3	MII_TD3	-	RGMII_TXD3
S53/105	TP_IRQ	EPDC1_GDRL	O	Pin carry alternative signal RGMII2_TX_CTL	MII_TX_EN	RMII_TXEN	RGMII_TX_CTL

The MDIO interface is a two-wire management interface. The MDIO management interface implements a standardized method to access the PHY device management registers.

The two pins that are used for the on-board Ethernet-PHY are available for off-board access, see the first two rows in the table below. These can with advantage be used to control the external, off-board Ethernet-PHY. Alternatively, a second MDIO interface is also available, see row 3-8 in the table below.

EACOM Board Pin	EACOM Board Name	i.MX 7 Ball Name	I/O	Description	Remarks
S116/237	CSI_MCLK	GPIO1_IO10-ETH_PHY_MDIO	I/O		Non-standard pin allocation. Signal allocated for ETH_PHY_MDIO and used by on-board Ethernet-PHY. Signal can be used for external Ethernet-PHY for second Ethernet interface.
S115/235	CSI_VSYNC	GPIO1_IO11/ETH_PHY_MDC	O		Non-standard pin allocation. Signal allocated for ETH_PHY_MDC and used by on-board Ethernet-PHY. Signal can be used for external Ethernet-PHY for second Ethernet interface.
S12/23	CAN2_TX	GPIO1_IO15	O	Pin carry alternative signal ENET2_MDC	
S124/253	CSI_D5	SD2_WP	O	Pin carry alternative signal ENET2_MDC	
P133/274	UART-B_TXD	UART2_TXD	O	Pin carry alternative signal ENET2_MDC	
S13/25	CAN2_RX	GPIO1_IO14	I/O	Pin carry alternative signal ENET2_MDIO	
S122/249	CSI_D3	SD2_CD_B	I/O	Pin carry alternative signal ENET2_MDIO	
P130/268	UART-B_RXD	UART2_RXD	I/O	Pin carry alternative signal ENET2_MDIO	

5.6 FlexCAN

This section lists signals related to the Controller Area Network (CAN) interface.

The i.MX 7 SoC has two Flexible Controller Area Network (FlexCAN) interfaces that supports bitrates of up to 1Mbps each. The FlexCAN module is a communication controller implementing the CAN protocol according to the CAN 2.0B protocol specification, which supports both standard and extended message frames.

EACOM Board Pin	EACOM Board Name	i.MX 7 Ball Name	I/O	Description	Remarks
S15/29	CAN1_RX	GPIO1_IO12	I	CAN port 1 receive signal	Default location for EACOM Board spec.
S14/27	CAN1_TX	GPIO1_IO13	O	CAN port 1 transmit signal	Default location for EACOM Board spec.
S13/25	CAN2_RX	GPIO1_IO14	I	CAN port 2 receive signal	Default location for EACOM Board spec.
S12/23	CAN2_TX	GPIO1_IO14	O	CAN port 2 transmit signal	Default location for EACOM Board spec.
S5/9	AUDIO_RXD	SAI1_RXD	I	CAN port 1 receive signal	Alternative location for CAN1_RX signal
S6/11	AUDIO_TXC	SAI1_TXC	O	CAN port 1 transmit signal	Alternative location for CAN1_TX signal
S4/7	AUDIO_TXFS	SAI1_TXFS	I	CAN port 2 receive signal	Alternative location for CAN2_RX signal
S7/13	AUDIO_TXD	SAI1_TXD	O	CAN port 2 transmit signal	Alternative location for CAN2_TX signal

5.7 GPIOs

This section lists signals related to General Purpose Input/Output (GPIO) functionality.

Many pins have GPIO functionality that can be enabled (via pin multiplexing). All GPIO pins can be used to generate interrupts as well as be wakeup sources.

The *EACOM Board specification* defines only a few GPIOs and they are listed in the table below. The pins that cannot be configured as GPIOs are Ethernet, USB, PCIe, LVDS, HDMI, MIPI-CSI and MIPI-DSI. I2C pins can be GPIOs but are unsuitable since I2C-A is used on-board and I2C-B and I2C-C have 2.2Kohm on-board pull-up resistors.

EACOM Board Pin	EACOM Board Name	i.MX 7 Ball Name	I/O	Description	Remarks
P140/288	GPIO1	EPDC_SDCE0	I/O	GPIO	GPIO1 controlled by alternative pin function GPIO2_IO20
P139/286	GPIO2	EPDC_SDCE1	I/O	GPIO	GPIO2 controlled by alternative pin function GPIO2_IO21
P4/8	GPIO3	SD1_RESET_B	I/O	GPIO	GPIO3 controlled by alternative pin function GPIO5_IO02
P3/6	GPIO4	SD1_CD_B	I/O	GPIO	GPIO4 controlled by alternative pin function GPIO5_IO00
P2/4	GPIO5	EPDC_SDCE2	I/O	GPIO	GPIO5 controlled by alternative pin function GPIO2_IO22
P1/2	GPIO6	EPDC_SDCE3	I/O	GPIO	GPIO6 controlled by alternative pin function GPIO2_IO23
S84/173	GPIO7	LCD_RESET	I/O	GPIO	GPIO7 controlled by alternative pin function GPIO3_IO04
S34/67	GPIO8	ENET1_CRS	I/O	GPIO	GPIO7 controlled by alternative pin function GPIO7_IO14
S19/37	GPIO9	GPIO1_IO02	I/O	GPIO	GPIO7 controlled by alternative pin function GPIO1_IO02

5.8 I2C

This section lists signals related to the Inter-Integrated Circuit (I2C) interface.

The i.MX 7 SoC has four I2C interfaces. Three of these are assigned in the *EACOM Board Specification*. i.MX 7 I2C channel #1 is assigned to EACOM I2C channel A. I2C channel #2 is assigned to EACOM I2C channel B. I2C channel #3 is assigned to EACOM I2C channel C.

Pin assignment for I2C channel A cannot be changed since this channel is used on the *iMX7 Dual COM board* (for PMIC and E2PROM communication). It is recommended not to change pin assignment since for EACOM I2C channel B and C (I2C channel #2 and #3, respectively) since these four pins have 2.2Kohm pull-up resistors.

The table below lists the pin assignment as well as alternative pin locations.

EACOM Board Pin	EACOM Board Name	i.MX 7 Ball Name	I/O	Description	Remarks
S47/93	I2C-A_SCL	I2C1_SCL	I/O	Clock signal of I2C channel #1	Signal has on-board 2.2Kohm pullup resistor. Signal is connected to on-board I2C channel to PMIC and E2PROM.
S46/91	I2C-A_SDA	I2C1_SDA	I/O	Data signal of I2C channel #1	Signal has on-board 2.2Kohm pullup resistor. Signal is connected to on-board I2C channel to PMIC and E2PROM.
S49/97	I2C-B_SCL	I2C2_SCL	I/O	Clock signal of I2C channel #2	Signal has on-board 2.2Kohm pullup resistor.
S48/95	I2C-B_SDA	I2C2_SDA	I/O	Data signal of I2C channel #2	Signal has on-board 2.2Kohm pullup resistor.
S51/101	I2C-C_SCL	I2C3_SCL	I/O	Clock signal of I2C channel #3	Signal has on-board 2.2Kohm pullup resistor.
S50/99	I2C-C_SDA	I2C3_SDA	I/O	Data signal of I2C channel #3	Signal has on-board 2.2Kohm pullup resistor.

Note that the following two positions for I2C interfaces are not allowed:

- I2C1_SCL on i.MX 7 pins GPIO1_IO04 and UART1_RXD should not be used. I2C channel #1 is allocated on another pin.
- I2C1_SDA on i.MX 7 pins GPIO1_IO05 and UART1_TXD should not be used. I2C channel #1 is allocated on another pin.

i.MX 7 I2C interface #2 can be located on the following pins (as alternative functions), but note that these locations are not recommended since the *EACOM Board specification* has allocated this function on another pin, see above.

EACOM Board Pin	EACOM Board Name	i.MX 7 Ball Name	I/O	Description	Remarks
P76/160	USB_H1_OC	GPIO1_IO06	I/O	Clock signal of I2C channel #2	I2C2_SCL. Note that this location is not recommended since the EACOM Board specification has allocated this function on another pin, see above.
P130/268	UART-B_RXD	UART2_RXD	I/O	Clock signal of I2C channel #2	I2C2_SCL. Note that this location is not recommended since the EACOM Board specification has allocated this function on another pin, see above.
P75/158	USB_H1_PWR_EN	GPIO1_IO07	I/O	Data signal of I2C channel #2	I2C2_SDA. Note that this location is not recommended since the EACOM Board specification has allocated this function on another pin, see above.
P133/274	UART-B_TXD	UART2_TXD	I/O	Data signal of I2C channel #2	I2C2_SDA. Note that this location is not recommended since the EACOM Board specification has allocated this function on another pin, see above.

i.MX 7 I2C interface #3 can be located on the following pins (as alternative functions).

EACOM Board Pin	EACOM Board Name	i.MX 7 Ball Name	I/O	Description	Remarks
P117/242	COM specific	GPIO1_IO08	I/O	Clock signal of I2C channel #3	I2C3_SCL. Note that this location is not recommended since the EACOM Board specification has allocated this function on another pin, see above.
S62/123	LCD_R4	LCD1_DATA20	I/O	Clock signal of I2C channel #3	I2C3_SCL. Note that this location is not recommended since the EACOM Board specification has allocated this function on another pin, see above.
S117/239	CSI_PCLK	GPIO1_IO09	I/O	Data signal of I2C channel #3	I2C3_SDA. Note that this location is not recommended since the EACOM Board specification has allocated this function on another pin, see above.
S63/125	LCD_R5	LCD1_DATA21	I/O	Data signal of I2C channel #3	I2C3_SDA. Note that this location is not recommended since the EACOM Board specification has allocated this function on another pin, see above.

i.MX 7 I2C interface #4 can be located on the following pins (as alternative functions).

EACOM Board Pin	EACOM Board Name	i.MX 7 Ball Name	I/O	Description	Remarks
S113/231	COM specific	I2C4_SCL	I/O	Clock signal of I2C channel #4	Note that an external pull-up resistor is needed.
S116/237	CSI_MCLK	GPIO1_IO10	I/O	Clock signal of I2C channel #4	Note that an external pull-up resistor is needed.
S64/127	LCD_R6	LCD1_DATA22	I/O	Clock signal of I2C channel #4	Note that an external pull-up resistor is needed.
S1/1	MQS_RIGHT	SAI1_RXFS	I/O	Clock signal of I2C channel #4	Note that an external pull-up resistor is needed.
S112/229	COM specific	I2C4_SDA	I/O	Data signal of I2C channel #4	Note that an external pull-up resistor is needed.
S115/235	CSI_VSYNC	GPIO1_IO11	I/O	Data signal of I2C channel #4	Note that an external pull-up resistor is needed.
S65/129	LCD_R7	LCD1_DATA23	I/O	Data signal of I2C channel #4	Note that an external pull-up resistor is needed.
S2/3	MQS_LEFT	SAI1_RXC	I/O	Data signal of I2C channel #4	Note that an external pull-up resistor is needed.

5.9 JTAG

This section lists signals related to the JTAG debug interface.

The i.MX 7 SoC has a module called System JTAG Controller (SJC) that provides a JTAG interface to internal logic, including the two ARM Cortex-A9 cores and Cortex-M4 core. The SJC complies with JTAG TAP standards. The i.MX 7 SoC use the JTAG port for production, testing, and system debugging.

The JTAG signals are not available on the MXM3 edge connector. Instead the signals are available via a 10 pos FPC connector, see picture below for location and orientation.

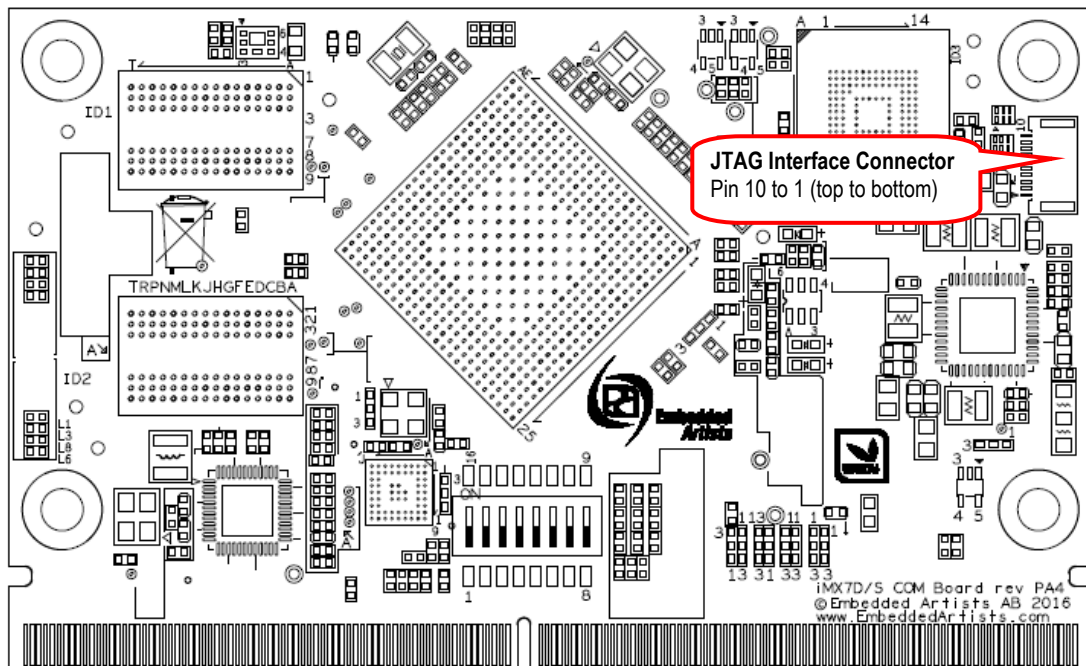


Figure 7 – iMX7 Dual COM Board, Top Side

The table below lists the 10 signals on the JTAG connector.

J1 Pin Number	Connected to i.MX 7 Ball Name	I/O	Description	Remarks
1	NVCC_JTAG	O	Logic level supply voltage	Used by external debugger to detect logic level to use for signaling. Typically 3.3V.
2	JTAG_TMS	I	JTAG signal TMS	
3			Ground	
4	JTAG_TCK	I	JTAG signal TCK	
5			Ground	
6	JTAG_TDO	O	JTAG signal TDO	
7	JTAG_MOD	I		Signal shall always be connected to ground. Signal has a 1Kohm pulldown resistor and can be left floating.
8	JTAG_TDI	I	JTAG signal TDI	
9	JTAG_TRST	I	JTAG signal TRST	
10	JTAG_SRST	I	System reset	Signal is active low and controls internal system reset. Signal has a 10K ohm pullup resistor.

The *iMX7 Dual Developer's Kit* contains an adapter board for connection to common debug connectors. The 10 pos connector is Molex 512811094 and has 0.5 mm (20 mil) pitch. FPC length should be kept less than 7 cm.

5.10 PCI Express

This section lists signals related to the PCI Express interface.

The i.MX 7Dual SoC has a single lane PCI Express (PCIe) interface. The interface is compliant with the PCIe 2.1 specification that supports up to 6Gbit/s data rate. PCIe 2.1/2.0 is backward compatible with the PCIe 1.1 standard that supports 2.5Gbit/s data rate.

EACOM Board Pin	EACOM Board Name	i.MX 7 Ball Name	I/O	Description	Remarks
S150/305	PCIE_CLK_P	PCIE_REFCLKOUT_P	O	100 MHz reference clock, positive signal in differential pair	
S151/307	PCIE_CLK_N	PCIE_REFCLKOUT_N	O	100 MHz reference clock, negative signal in differential pair	
S153/311	PCIE_TX_P	PCIE_TX_P	O	Transmit data, positive signal in differential pair	
S154/313	PCIE_TX_N	PCIE_TX_N	O	Transmit data, negative signal in differential pair	
S156/317	PCIE_RX_P	PCIE_RX_P	I	Receive data, positive signal in differential pair	
S157/319	PCIE_RX_N	PCIE_RX_N	I	Receive data, negative signal in differential pair	
S147/299	SATA_RX_P	PCIE_REFCLKIN_P	I	If PCIe is used, connect to a 100MHz PCIe compatible reference clock with HCSL-signal output, positive signal	Non-standard pin allocation.
S146/297	SATA_RX_N	PCIE_REFCLKIN_N	I	If PCIe is used, connect to a 100MHz PCIe compatible reference clock with HCSL-signal output, negative signal	Non-standard pin allocation.

A typical PCIe interface also has a USB Host, a I2C interface and (typically) three control signals; wakeup (input to iMX7), disable and reset (outputs from iMX7). These interfaces and control signals are not specifically defined in the *EACOM Board specification* and is up to each carrier board design to assign/allocate.

5.11 Power Management

This section lists signals related to power management, i.e., reset and external power supplies.

EACOM Board Pin	EACOM Board Name	I/O	Description	Remarks
P143/294	RESET_OUT	O	Reset output, active low	Open drain output. Driven low during reset. 1.5K pull-up resistor to VIN.
P142/292	RESET_IN	I	Reset input, active low	Pull signal low to activate reset. No need to pull signal high externally. Connected to cathode of series diode, so logic level of driving signal can be anywhere between 1.5-5 V.
P141/290	PERI_PWR_EN	O	Enable signal (active high) for carrier board peripheral power supplies.	Uses RESET signal from the i.MX 7. More information about carrier board design can be found in <i>EACOM Board specification</i> .

5.12 Power Supply Signals

This section lists signals related to power supply.

EACOM Board Pin	EACOM Board Name	I/O	Description	Remarks
P147/302, P148/304, P149/306, P150/308, P151/310, P152/312, P153/314, P154/316, P155/318, P156/320	VIN	A	3.3V supply voltage	See technical specification for details about valid range.
P22/44, P25/50, P31/62, P35/70, P38/76, P46/92, P49/98, P52/104, P60/120, P63/126, P69/138, P77/162, P82/172, P88/184, P91/190, P118/244, P127/262, P144/296, S3/5, S9/17, S16/31, S22/43, S25/49, S28/55, S31/61, S37/73, S40/79, S43/85, S57/113, S74/147, S88/181, S98/201, S101/207, S104/213, S118/241, S127/259, S130/265, S133/271, S136/277, S139/283, S142/289, S145/295, S148/301, S149/303, S152/309, S155/315, S158/321	GND	A	Ground	
P145/298	VBAT	AI/AO	Power supply for PF3000 PMIC and i.MX 7 on-chip RTC. Connect to external primary (= non rechargeable) or secondary (= rechargeable) coin cell battery.	Connected to PF3000 PMIC, pin 36, LICELL. PMIC can be programmed to charge a secondary coin cell.

5.13 PWM

This section lists signals related to Pulse Wide Modulators (PWM).

The i.MX 7 SoC has four PWM channels that are available via pin multiplexing. The generated signals has 16-bit resolution. PWM signals can be used to generate analogue signals (emulate a DAC) and also control intensity / brightness in display applications.

There are two PWM signals defined in the *EACOM Board specification*. One general PWM signal and one that is intended for backlight intensity control for displays. The latter can however be used as a general PWM signals also if backlight intensity control is not needed or control is arranged differently. The remaining PWM signals are available as alternative functions on certain pins.

The table below lists the pin assignment as well as alternative pin locations.

EACOM Board Pin	EACOM Board Name	i.MX 7 Ball Name	I/O	Description	Remarks
P138/284	PWM	GPIO1_IO03	O	PWM3_OUT signal	
S56/111	BL_PWM	GPIO1_IO01	O	PWM1_OUT signal	

The table below lists the pin assignment for the alternative pin locations.

EACOM Board Pin	EACOM Board Name	i.MX 7 Ball Name	I/O	Description	Remarks
P117/242	COM specific	GPIO1_IO08	O	PWM1_OUT signal	
S19/37	GPIO9	GPIO1_IO02	O	PWM2_OUT signal	
S117/239	CSI_PCLK	GPIO1_IO09	O	PWM2_OUT signal	
S116/237	CSI_MCLK	GPIO1_IO10	O	PWM3_OUT signal	
S115/235	CSI_VSYNC	GPIO1_IO11	O	PWM4_OUT signal	

5.14 SD/MMC

This section lists signals related to Ultra Secured Digital Host Controller (uSDHC) functions.

The i.MX 7 SoC has 3 uSDHC interfaces. One, uSDHC3, is allocated (on-board) for interface to eMMC Flash. The interfaces are capable of interfacing with SD Memory Cards, SDIO, MMC, CE-ATA cards and eMMC devices. The features of the uSDHC module include the following:

- Conforms to the SD Host Controller Standard Specification version 3.0
- Compatible with the MMC System Specification version 4.2/4.3/4.4/4.41/4.5/5.0
- Compatible with the SD Memory Card Specification version 3.0 and supports the Extended Capacity SD Memory Card
- Compatible with the SDIO Card Specification version 3.0
- Designed to work with SD Memory, miniSD Memory, SDIO, miniSDIO, SD Combo, MMC, MMC plus, and MMC RS cards
- Supports 1-bit / 4-bit SD and SDIO modes, 1-bit / 4-bit / 8-bit MMC modes

The *EACOM Board specification* defines one 4-databit SD interface (uSDHC1) and one 8-databit MMC interface (uSDHC2). The 8-bit MMC interface pin allocation is however only 4-bit.

The table below lists the pin assignment according to *EACOM Board specification*.

EACOM Board Pin	EACOM Board Name	i.MX 7 Ball Name	I/O	Description	Remarks
P7/14	SD_CLK	SD1_CLK	O	Clock for MMC/SD/SDIO card	
P8/16	SD_CMD	SD1_CMD	I/O	CMD line connect to card	
P6/12	SD_D0	SD1_DATA0	I/O	DATA0 line in all modes. Also used to detect busy status	
P5/10	SD_D1	SD1_DATA1	I/O	DATA1 line in 4/8-bit mode. Also used to detect interrupt in 1/4-bit mode	
P10/20	SD_D2	SD1_DATA2	I/O	DATA2 line or Read Wait in 4-bit mode, Read Wait in 1-bit mode	
P9/18	SD_D3	SD1_DATA3	I/O	DATA3 line in 4/8-bit mode or configured as card detection pin. May be configured as card detection pin in 1-bit mode	
P16/32	MMC_CLK	SD2_CLK	O	Clock for MMC/SD/SDIO card	
P18/36	MMC_CMD	SD2_CMD	I/O	CMD line connect to card	
P13/26	MMC_D0	SD2_DATA0	I/O	DATA0 line in all modes. Also used to detect busy status	
P12/24	MMC_D1	SD2_DATA1	I/O	DATA1 line in 4/8-bit mode Also used to detect interrupt in 1/4-bit mode	
P10/20	MMC_D2	SD2_DATA2	I/O	DATA2 line or Read Wait in 4-bit mode, Read Wait in 1-bit mode	
P20/40	MMC_D3	SD2_DATA3	I/O	DATA3 line in 4/8-bit mode or configured as card detection pin. May be configured as card detection pin in 1-bit mode	

P19/38	MMC_D4	Not connected
P17/34	MMC_D5	Not connected
P15/30	MMC_D6	Not connected
P14/28	MMC_D7	Not connected

The table below lists of alternative pin locations for uSDHC1 signals.

EACOM Board Pin	EACOM Board Name	i.MX 7 Ball Name	I/O	Description	Remarks
P122/252	SPI-B_CLK	ECSPI2_SCLK	I/O	DATA4 line in 8-bit mode, not used in other modes	Alternative function SD2_DATA4
P120/248	SPI-B_MOSI	ECSPI2_MOSI	I/O	DATA5 line in 8-bit mode, not used in other modes	Alternative function SD2_DATA5
P121/250	SPI-B_MISO	ECSPI2_MISO	I/O	DATA6 line in 8-bit mode, not used in other modes	Alternative function SD2_DATA6
P119/246	SPI-B_SSEL	ECSPI2_SS0	I/O	DATA7 line in 8-bit mode, not used in other modes	Alternative function SD2_DATA7
P3/6	GPIO4	SD1_CD_B	I	Card detection pin	Alternative function SD1_CD_B.
P117/242	COM specific	GPIO1_IO08	O	IO power voltage selection signal	Alternative function SD1_VSELECT
P113/234	COM specific	UART3_CTS	O	IO power voltage selection signal	Alternative function SD1_VSELECT
S117/239	CSI_PCLK	GPIO1_IO09	O	LED control used to drive an external LED Active high	Alternative function SD1_LCTL
P128/264	UART-C_RXD	UART3_RXD	O	LED control used to drive an external LED Active high	Alternative function SD1_LCTL
S111/227	COM specific	SD1_WP	I	Card write protect detect	Alternative function SD1_WP

The table below lists of alternative pin locations for uSDHC2 signals as well as data signals 4-7 (for full 8-bit MMC interface).

EACOM Board Pin	EACOM Board Name	i.MX 7 Ball Name	I/O	Description	Remarks
S122/249	CSI_D3	SD2_CD_B	I	Card detection pin	Alternative function SD2_CD_B
P126/260	SPI-A_CLK	ECSPI1_SCLK	I/O	DATA4 line in 8-bit mode, not used in other modes	Alternative function SD2_DATA4
P124/256	SPI-A_MOSI	ECSPI1_MOSI	I/O	DATA5 line in 8-bit mode, not used in other modes	Alternative function SD2_DATA5
P125/258	SPI-A_MISO	ECSPI1_MISO	I/O	DATA6 line in 8-bit mode, not used in other modes	Alternative function SD2_DATA6
P123/254	SPI-A_SSEL	ECSPI1_SS0	I/O	DATA7 line in 8-bit mode, not used in other modes	Alternative function SD2_DATA7
S116/237	CSI_MCLK	GPIO1_IO10	O	LED control used to drive an external LED Active high	Alternative function SD2_LCTL
P129/266	UART-C_TXD	UART3_TXD	O	LED control used to drive an external LED Active high	Alternative function SD2_LCTL
S123/251	CSI_D4	SD2_RESET_B	O		Alternative function SD2_RESET_B
S15/29	CAN1_RX	GPIO1_IO12	O	IO power voltage selection signal	Alternative function SD2_VSELECT
S124/253	CSI_D5	SD2_WP	I	Card write protect detect	Alternative function SD2_WP

There are no accessible pins for uSDHC3 signals since these are connected to the on-board eMMC Flash.

5.15 ECSPi / SPI

This section lists signals related to Enhanced Configurable Serial Peripheral Interface (ECSPi) functions.

The i.MX 7 SoC has 4 ECSPi block that are capable of full-duplex, synchronous, four-wire serial communication. The *EACOM Board specification* defines two 4-signal ECSPi interfaces. ECSPi1 and ECSPi2 have been allocated for these. The remaining ECSPi signals are available as alternative functions on certain pins.

The table below lists the pin assignment according to *EACOM Board specification*.

EACOM Board Pin	EACOM Board Name	i.MX 7 Ball Name	I/O	Description	Remarks
P125/258	SPI-A_MISO	ECSPi1_MISO	I/O	Master data in, slave data out	ECSPi1_MISO
P124/256	SPI-A_MOSI	ECSPi1_MOSI	I/O	Master data out, slave data in	ECSPi1_MOSI
P126/260	SPI-A_SCLK	ECSPi1_SCLK	I/O	SPI clock signal	ECSPi1_SCLK
P123/254	SPI-A_SS0	ECSPi1_SS0	I/O	Chip select signal	ECSPi1_SS0
P121/250	SPI-B_MISO	ECSPi2_MISO	I/O	Master data in, slave data out	ECSPi2_MISO
P120/248	SPI-B_MOSI	ECSPi2_MOSI	I/O	Master data out, slave data in	ECSPi2_MOSI
P122/252	SPI-B_SCLK	ECSPi2_SCLK	I/O	SPI clock signal	ECSPi2_SCLK
P119/246	SPI-B_SS0	ECSPi2_SS0	I/O	Chip select signal	ECSPi2_SS0

The table below lists of alternative pin locations for ECSPi1 signals.

EACOM Board Pin	EACOM Board Name	i.MX 7 Ball Name	I/O	Description	Remarks
P128/264	UART-C_RXD	UART3_RXD	I/O	Master data in, slave data out	ECSPi1_MISO
P129/266	UART-C_TXD	UART3_TXD	I/O	Master data out, slave data in	ECSPi1_MOSI
P133/274	UART-B_TXD	UART2_TXD	I/O	SPI data ready signal	ECSPi1_RDY
P116/240	COM specific	UART3_RTS	I/O	SPI clock signal	ECSPi1_SCLK
P113/234	COM specific	UART3_CTS	I/O	Chip select signal	ECSPi1_SS0
P134/276	UART-A_RXD	UART1_RXD	I/O	Chip select signal	ECSPi1_SS1
P137/282	UART-A_TXD	UART1_TXD	I/O	Chip select signal	ECSPi1_SS2
P130/268	UART-B_RXD	UART2_RXD	I/O	Chip select signal	ECSPi1_SS3

There are no alternative pin locations for the ECSPi2 signals.

The table below lists of alternative pin locations for ECSPi3 signals.

EACOM Board Pin	EACOM Board Name	i.MX 7 Ball Name	I/O	Description	Remarks
P135/278	UART-A_CTS	SAI2_TXFS	I/O	Master data in, slave data out	ECSPi3_MISO
P136/280	UART-A_RTS	SAI2_TXC	I/O	Master data out, slave data in	ECSPi3_MOSI
S123/251	CSI_D4	SD2_RESET_B	I/O	SPI data ready signal	ECSPi3_RDY
S49/97	I2C-B_SCL	I2C2_SCL	I/O	SPI clock signal	ECSPi3_SCLK

Note that there is a 2.2Kohm pull-up

					resistor on this signal.
P131/270	UART-B_CTS	SAI2_RXD	I/O	SPI clock signal	ECSPI3_SCLK
S48/95	I2C-B_SDA	I2C2_SDA	I/O	Chip select signal	ECSPI3_SS0 Note that there is a 2.2Kohm pull-up resistor on this signal.
P132/272	UART-B_RTS	SAI2_TXD	I/O	Chip select signal	ECSPI3_SS0
P9/18	SD_D3	SD1_DATA3	I/O	Chip select signal	ECSPI3_SS1
S122/249	CSI_D3	SD2_CD_B	I/O	Chip select signal	ECSPI3_SS2
S124/253	CSI_D5	SD2_WP	I/O	Chip select signal	ECSPI3_SS3

The table below lists of alternative pin locations for ECSPI4 signals.

EACOM Board Pin	EACOM Board Name	i.MX 7 Ball Name	I/O	Description	Remarks
S83/171	LCD_CLK	LCD1_CLK	I/O	Master data in, slave data out	ECSPI4_MISO
P3/6	GPIO4	SD1_CD_B	I/O	Master data in, slave data out	ECSPI4_MISO
S87/179	LCD_ENABLE	LCD1_ENABLE	I/O	Master data out, slave data in	ECSPI4_MOSI
S111/227	COM specific	SD1_WP	I/O	Master data out, slave data in	ECSPI4_MOSI
P10/20	SD_D2	SD1_DATA2	I/O	SPI data ready signal	ECSPI4_RDY
S85/175	LCD_HSYNC	LCD1_HSYNC	I/O	SPI clock signal	ECSPI4_SCLK
P4/8	GPIO3	SD1_RESET_B	I/O	SPI clock signal	ECSPI4_SCLK
S86/177	LCD_VSYNC	LCD1_VSYNC	I/O	Chip select signal	ECSPI4_SS0
P7/14	SD_CLK	SD1_CLK	I/O	Chip select signal	ECSPI4_SS0
P8/16	SD_CMD	SD1_CMD	I/O	Chip select signal	ECSPI4_SS1
P6/12	SD_D0	SD1_DATA0	I/O	Chip select signal	ECSPI4_SS2
P5/10	SD_D1	SD1_DATA1	I/O	Chip select signal	ECSPI4_SS3

5.16 UART

This section lists signals related to Universal Asynchronous Receiver/Transmitter (UART) functions.

The i.MX 7 SoC has 7 UARTs, supporting bitrates up to 4Mbps each. The *EACOM Board specification* defines two 4-signal UARTs and one 2-signal UART. The remaining UART signals are available as alternative functions on certain pins.

Note that the chip-level IOMUX modifies the direction and routing of the UART signals based on whether the UART is operating in DCE mode or DTE mode. See section 15.3.2 in IMX7DRM for details.

The table below lists the pin assignment according to *EACOM Board specification*.

EACOM Board Pin	EACOM Board Name	i.MX 7 Ball Name	I/O	Description	Remarks
P137/282	UART-A_TXD	UART1_TXD	I/O	UART1 Transmit Data	Alternative function is UART1_TXD.
P134/276	UART-A_RXD	UART1_RXD	I/O	UART1 Receive Data	Alternative function is UART1_RXD.
P136/280	UART-A_RTS	SAI2_TXC	I/O	UART1 Request to Send	Alternative function is UART1_RTS_B.
P135/278	UART-A_CTS	SAI2_TXFS	I/O	UART1 Clear to Send	Alternative function is UART1_CTS_B.
P133/274	UART-B_TXD	UART2_TXD	I/O	UART2 Transmit Data	Alternative function is UART2_TXD.

P130/268	UART-B_RXD	UART2_RXD	I/O	UART2 Receive Data	Alternative function is UART2_RXD.
P132/272	UART-B_RTS	SAI2_TXD	I/O	UART2 Request to Send	Alternative function is UART2_RTS_B.
P131/270	UART-B_CTS	SAI2_RXD	I/O	UART2 Clear to Send	Alternative function is UART2_CTS_B.
P129/266	UART-C_TXD	UART3_TXD	I/O	UART3 Transmit Data	Alternative function is UART3_TXD.
P128/264	UART-C_RXD	UART3_RXD	I/O	UART3 Receive Data	Alternative function is UART3_RXD.

There are no alternative pin locations for UART1 signals.

The table below lists of alternative pin locations for UART2 signals.

EACOM Board Pin	EACOM Board Name	i.MX 7 Ball Name	I/O	Description	Remarks
S87/179	LCD_ENABLE	LCD1_ENABLE	I/O	UART2 Transmit Data	Alternative function is UART2_TXD.
S83/171	LCD_CLK	LCD1_CLK	I/O	UART2 Receive Data	Alternative function is UART2_RXD.
S85/175	LCD_HSYNC	LCD1_HSYNC	I/O	UART2 Request to Send	Alternative function is UART2_RTS_B.
S86/177	LCD_VSYNC	LCD1_VSYNC	I/O	UART2 Clear to Send	Alternative function is UART2_CTS_B.

The table below lists of alternative pin locations for UART3 signals.

EACOM Board Pin	EACOM Board Name	i.MX 7 Ball Name	I/O	Description	Remarks
S117/239	CSI_PCLK	GPIO1_IO09	I/O	UART3 Transmit Data	Alternative function is UART3_TXD.
P117/242	COM specific	GPIO1_IO08	I/O	UART3 Receive Data	Alternative function is UART3_RXD.
S116/237	CSI_MCLK	GPIO1_IO10	I/O	UART3 Request to Send	Alternative function is UART3_RTS_B.
P116/240	COM specific	UART3_RTS	I/O	UART3 Request to Send	Alternative function is UART3_RTS_B.
S115/235	CSI_VSYNC	GPIO1_IO11	I/O	UART3 Clear to Send	Alternative function is UART3_CTS_B.
P113/234	COM specific	UART3_CTS	I/O	UART3 Clear to Send	Alternative function is UART3_CTS_B.

The table below lists of alternative pin locations for UART4 signals.

EACOM Board Pin	EACOM Board Name	i.MX 7 Ball Name	I/O	Description	Remarks
S48/95	I2C-B_SDA	I2C2_SDA	I/O	UART4 Transmit Data	Alternative function is UART4_TXD. Note that there is a 2.2Kohm pull-up resistor on this signal.
P136/280	UART-A_RTS	SAI2_TXC	I/O	UART4 Transmit Data	Alternative function is UART4_TXD.
P12/24	MMC_D1	SD2_DATA1	I/O	UART4 Transmit Data	Alternative function is UART4_TXD.
S49/97	I2C-B_SCL	I2C2_SCL	I/O	UART4 Receive Data	Alternative function is UART4_RXD. Note that there is a 2.2Kohm pull-up resistor on this signal.
P135/278	UART-A_CTS	SAI2_TXFS	I/O	UART4 Receive Data	Alternative function is UART4_RXD.
P13/26	MMC_D0	SD2_DATA0	I/O	UART4 Receive Data	Alternative function is UART4_RXD.
P132/272	UART-B_RTS	SAI2_TXD	I/O	UART4 Request to Send	Alternative function is UART4_RTS_B.
P20/40	MMC_D3	SD2_DATA3	I/O	UART4 Request to Send	Alternative function is UART4_RTS_B.
P131/270	UART-B_CTS	SAI2_RXD	I/O	UART4 Clear to Send	Alternative function is UART4_CTS_B.
P21/42	MMC_D2	SD2_DATA2	I/O	UART4 Clear to Send	Alternative function is UART4_CTS_B.

The table below lists of alternative pin locations for UART5 signals.

EACOM Board Pin	EACOM Board Name	i.MX 7 Ball Name	I/O	Description	Remarks
P75/158	USB_H1_PWR_EN	GPIO1_IO07	I/O	UART5 Transmit Data	Alternative function is UART5_TXD.
S112/229	COM specific	I2C4_SDA	I/O	UART5 Transmit Data	Alternative function is UART5_TXD.
S6/11	AUDIO_TXC	SAI1_TXC	I/O	UART5 Transmit Data	Alternative function is UART5_TXD.
P76/160	USB_H1_OC	GPIO1_IO06	I/O	UART5 Receive Data	Alternative function is UART5_RXD.
S113/231	COM specific	I2C4_SCL	I/O	UART5 Receive Data	Alternative function is UART5_RXD.
S5/9	AUDIO_RXD	SAI1_RXD	I/O	UART5 Receive Data	Alternative function is UART5_RXD.
S7/13	AUDIO_TXD	SAI1_TXD	I/O	UART5 Request to Send	Alternative function is UART5_RTS_B.
S50/99	HDMI/I2C-C_SDA	I2C3_SDA	I/O	UART5 Request to Send	Alternative function is UART5_RTS_B. Note that there is a 2.2Kohm pull-up resistor on this signal.
P73/146	USB_O1_PWR_EN	GPIO1_IO05	I/O	UART5 Request to Send	Alternative function is UART5_RTS_B.
S4/7	AUDIO_TXFS	SAI1_TXFS	I/O	UART5 Clear to Send	Alternative function is UART5_CTS_B.
S51/101	HDMI/I2C-C_SCL	I2C3_SCL	I/O	UART5 Clear to Send	Alternative function is UART5_CTS_B. Note that there is a 2.2Kohm pull-up resistor on this signal.
P74/148	USB_O1_OC	GPIO1_IO04	I/O	UART5 Clear to Send	Alternative function is UART5_CTS_B.

The table below lists of alternative pin locations for UART6 signals.

EACOM Board Pin	EACOM Board Name	i.MX 7 Ball Name	I/O	Description	Remarks
P124/256	SPI-A_MOSI	ECSPI1_MOSI	I/O	UART6 Transmit Data	Alternative function is UART6_TXD.
P103/214	COM specific	EPDC1_DATA09	I/O	UART6 Transmit Data	Alternative function is UART6_TXD.
S111/227	COM specific	SD1_WP	I/O	UART6 Transmit Data	Alternative function is UART6_TXD.
P126/260	SPI-A_CLK	ECSPI1_SCLK	I/O	UART6 Receive Data	Alternative function is UART6_RXD.
P104/216	COM specific	EPDC1_DATA08	I/O	UART6 Receive Data	Alternative function is UART6_RXD.
P3/6	GPIO4	SD1_CD_B	I/O	UART6 Receive Data	Alternative function is UART6_RXD.
P125/258	SPI-A_MISO	ECSPI1_MISO	I/O	UART6 Request to Send	Alternative function is UART6_RTS_B.
P102/212	COM specific	EPDC1_DATA10	I/O	UART6 Request to Send	Alternative function is UART6_RTS_B.
P4/8	GPIO3	SD1_RESET_B	I/O	UART6 Request to Send	Alternative function is UART6_RTS_B.
P123/254	SPI-A_SSEL	ECSPI1_SS0	I/O	UART6 Clear to Send	Alternative function is UART6_CTS_B.
P101/210	COM specific	EPDC1_DATA11	I/O	UART6 Clear to Send	Alternative function is UART6_CTS_B.
P7/14	SD_CLK	SD1_CLK	I/O	UART6 Clear to Send	Alternative function is UART6_CTS_B.

The table below lists of alternative pin locations for UART7 signals.

EACOM Board Pin	EACOM Board Name	i.MX 7 Ball Name	I/O	Description	Remarks
P120/248	SPI-B_MOSI	ECSPI2_MOSI	I/O	UART7 Transmit Data	Alternative function is UART7_TXD.
P99/206	COM specific	EPDC1_DATA13	I/O	UART7 Transmit Data	Alternative function is UART7_TXD.
P5/10	SD_D1	SD1_DATA1	I/O	UART7 Transmit Data	Alternative function is UART7_TXD.
P122/252	SPI-B_CLK	ECSPI2_SCLK	I/O	UART7 Receive Data	Alternative function is UART7_RXD.

P100/208	COM specific	EPDC1_DATA12	I/O	UART7 Receive Data	Alternative function is UART7_RXD.
P6/12	SD_D0	SD1_DATA0	I/O	UART7 Receive Data	Alternative function is UART7_RXD.
P121/250	SPI-B_MISO	ECSPI2_MISO	I/O	UART7 Request to Send	Alternative function is UART7_RTS_B.
P98/204	COM specific	EPDC1_DATA14	I/O	UART7 Request to Send	Alternative function is UART7_RTS_B.
P9/18	SD_D3	SD1_DATA3	I/O	UART7 Request to Send	Alternative function is UART7_RTS_B.
P119/246	SPI-B_SSEL	ECSPI2_SS0	I/O	UART7 Clear to Send	Alternative function is UART7_CTS_B.
P97/202	COM specific	EPDC1_DATA15	I/O	UART7 Clear to Send	Alternative function is UART7_CTS_B.
P10/20	SD_D2	SD1_DATA2	I/O	UART7 Clear to Send	Alternative function is UART7_CTS_B.

5.17 USB

This section lists signals related to the USB interfaces.

The *EACOM Board Specification* has one USB 3.0 OTG port, one USB 3.0 Host port and one USB 2.0 Host port. The i.MX 7 has two USB 2.0 OTG ports and one HSIC port. Further, USB 3.0 is backward compatible with USB 2.0. The pins that are specific for USB 3.0 are just left unconnected and are for future upgrade.

The carrier board must provide a +5V supply (with enable and over-current functionality) for USB Host interfaces.

EACOM Board Pin	EACOM Board Name	i.MX 7 Ball Name	I/O	Description	Remarks
P64/128	USB_O1_DN	USB_OTG1_DN	I/O	Negative Differential USB Signal, OTG compatible	
P65/130	USB_O1_DP	USB_OTG1_DP	I/O	Positive Differential USB Signal, OTG compatible	
P66/132	USB_O1_ID	USB_OTG1_ID	I	USB OTG ID pin	
P67/134	USB_O1_SSTXN			Not connected	
P68/136	USB_O1_SSTXP			Not connected	
P70/140	USB_O1_SSRXN			Not connected	
P71/142	USB_O1_SSRXP			Not connected	
P72/144	USB_O1_VBUS	USB_OTG1_VBUS	I	+5V USB VBUS detect input	This pin is +5V tolerant.
P73/146	USB_O1_PWR_EN	GPIO1_IO05	O	Enable external USB voltage supply. Active high output.	Alternative function is USB_OTG1_PWR
P74/148	USB_O1_OC	GPIO1_IO04	I	Signals an over-current condition on the USB voltage supply. Active low input.	Alternative function is USB_OTG1_OC
P75/158	USB_H1_PWR_EN	GPIO1_IO07	O	Enable external USB voltage supply. Active high output.	Alternative function is USB_OTG2_PWR
P76/160	USB_H1_OC	GPIO1_IO06	I	Signals an over-current condition on the USB voltage supply. Active low input.	Alternative function is USB_OTG2_OC
P78/164	USB_H1_DN	USB_OTG2_DN	I/O	Negative Differential USB Signal	
P79/166	USB_H1_DP	USB_OTG2_DP	I/O	Positive Differential USB Signal	
P80/168	USB_H1_SSTXN			Not connected	
P81/170	USB_H1_SSTXP	USB_OTG2_ID	I/O	Not standard pin allocation.	Signal can optionally be used to create a OTG port of the <i>EACOM</i> USB Host post.
P83/174	USB_H1_SSRXN	SNVS_TAMPER2	I/O	Not standard pin allocation.	Not connected for USB

					functionality
P84/176	USB_H1_SSRXP	SNVS_TAMPER1	I/O	Not standard pin allocation.	Not connected for USB functionality
P85/178	USB_H1_VBUS	USB_OTG2_VBUS	I	+5V USB VBUS detect input	This pin is +5V tolerant.

The table below lists of alternative pin locations for USB signals.

EACOM Board Pin	EACOM Board Name	i.MX 7 Ball Name	I/O	Description	Remarks
S19/37	GPIO9	GPIO1_IO02	I	USB OTG1 ID	Alternative function is USB OTG1 ID
S15/29	CAN1_RX	GPIO1_IO12	I	USB OTG1 ID	Alternative function is USB OTG1 ID
S113/231	COM specific	I2C4_SCL	I	USB OTG1 ID	Alternative function is USB OTG1 ID
S124/253	CSI_D5	SD2_WP	I	USB OTG1 ID	Alternative function is USB OTG1 ID
P128/264	UART-C_RXD	UART3_RXD	I	USB OTG1 OC	Signals an over-current condition on the USB voltage supply. Active low input.
P129/266	UART-C_TXD	UART3_TXD	O	USB OTG1 PWR EN	Enable external USB voltage supply. Active high output.
P138/284	PWM	GPIO1_IO03	I	USB OTG2 ID	Alternative function is USB OTG2 ID
S14/27	CAN1_TX	GPIO1_IO13	I	USB OTG2 ID	Alternative function is USB OTG2 ID
S112/229	COM specific	I2C4_SDA	I	USB OTG2 ID	Alternative function is USB OTG2 ID
S123/251	CSI_D4	SD2_RESET_B	I	USB OTG2 ID	Alternative function is USB OTG2 ID
P116/240	COM specific	UART3_RTS	I	USB OTG2 OC	Signals an over-current condition on the USB voltage supply. Active low input.
P113/234	COM specific	UART3_CTS	O	USB OTG2 PWR EN	Enable external USB voltage supply. Active high output.

Note that EACOM USB Host port #2 is connected to the High-Speed Inter-Chip (HSIC) interface on the i.MX 7. Some other signals are connected to these pins in a non-standard way, see table below.

EACOM Board Pin	EACOM Board Name	i.MX 7 Ball Name	I/O	Description	Remarks
P86/180	USB_H2_PWR_EN	SNVS_TAMPER0 signal, i.MX 7 ball AA7	I	Not connected for USB functionality	Not standard pin allocation.
P87/182	USB_H2_OC	ONOFF signal, i.MX 7 ball AC8		Not connected for USB functionality	Not standard pin allocation.
P89/186	USB_H2_DN	HSIC_STROBE	I/O	HSIC strobe signal	Not standard pin allocation.
P90/188	USB_H2_DP	HSIC_DATA	I/O	HSIC data signal	Not standard pin allocation.

6 Boot Options

This chapter presents the different boot settings that the *iMX7 Dual COM Board* supports. This chapter will only present how the different options are controlled. Other documents discuss the pros and cons with different options and what general system architectures (with different booting phases) that are suitable in different situations.

The *iMX7Dual COM Board* supports booting (i.e., from where the i.MX 7Dual SoC starts downloading code to start executing from) from different sources:

1. On-board eMMC Flash (signal E2PROM_WP high/floating - default)
2. USB OTG download (also called 'serial download'), (signal E2PROM_WP low)
3. Other sources, like QSPI memory, external SD/MMC memory cards, etc.
Note that the OTP fuses must be programmed to set these sources, see below.

Signal E2PROM_WP controls the booting source. If signal E2PROM_WP is high/floating, which is the default, booting takes place from eMMC. If Signal EPROM_WP is low, the i.MX 7Dual SoC boots into USB OTG mode. This latter mode it typically only used during production when the program images shall be downloaded the first time.

There are three main boot **modes** that controls which boot **source** to use.

1. Boot according to on-board configuration pull-up/pull-down resistors
 - eMMC is set as default boot source.
2. Boot from USB OTG interface
 - This mode is used in production to download the first stage bootloader and is typically not used by *iMX7 Dual COM Board* integrators. Sometimes this mode is called "Recovery mode".
 - This mode is activated by pulling signal E2PROM_WP low.
3. Boot according to how internal (i.MX 7Dual on-chip) OTP fuses have been programmed
 - Any boot mode supported by the i.MX 7Dual SoC and the hardware connected to it can be selected. See *i.MX7 Dual Applications Processor Reference Manual* for details about available sources and OTP fuse settings.
 - Note that OTP fuse BT_FUSE_SEL must be set to 1 in order to override the default setting to boot from eMMC and to have OTP fuse settings controlling boot source instead.
 - Note that the ***iMX7 Dual COM Boards* have not programmed the on-chip OTP fuses**. Users have full control over these. This mode can only be used after having programmed the OTP fuses.
 - Programming OTP fuses is a critical operation. If wrong fuses are programmed boards will likely become unusable and there is no recovery.

To summarize, the *iMX7 Dual COM board* is setup to boot from eMMC as default. If another source is needed, program the OTP fuses.

An optional USB OTG boot mode can be enabled by pulling signal E2PROM_WP low.

7 Power Modes

One of the primary features of the i.MX7 SoC is low power consumption. The *iMX7 Dual COM Board* supports these features in the design. There are several different power modes that gives varying trade-offs between active functionality and power consumption. The table below lists, from lowest to highest power consumption, the available mode. There are three different versions of what is called the *Low Power mode*. These are variations on the basic mode.

Note that software support for these power modes vary between BSPs.

Mode	Description	DRAM state
Off	All power rails are off	Off
SNVS (RTC only)	Only RTC and tamper detection logic is active	Off
LPSR	Low Power State Retention mode: This is an extension of the SNVS mode. All digital/analog modules are powered down but 16 GPIOs are also active for wakeup.	Off or DRAM stay in self-refresh, controlled by SW, pin SNVS_TAMPER9.
Low Power: Deep Sleep or Suspend	CPU power gated, most of the peripherals are power gated. All system clock shut off.	DRAM stay in self-refresh.
Low Power: Low Power Idle	CPU power gated, most of the peripherals are clock gated. Timer or other low speed peripheral can be running at 1MHz clock.	DRAM stay in self-refresh.
Low Power: System Idle	CPU automatically clock gated when in WFI state. Most of the peripherals remain active and running at 24MHz clock.	DRAM stay in self-refresh.
RUN	All external power rails are on, CPU is active and running, other internal module can be on/off based on application	DRAM stay in self-refresh.

Valid power modes transitions are presented in the state machine diagram below.

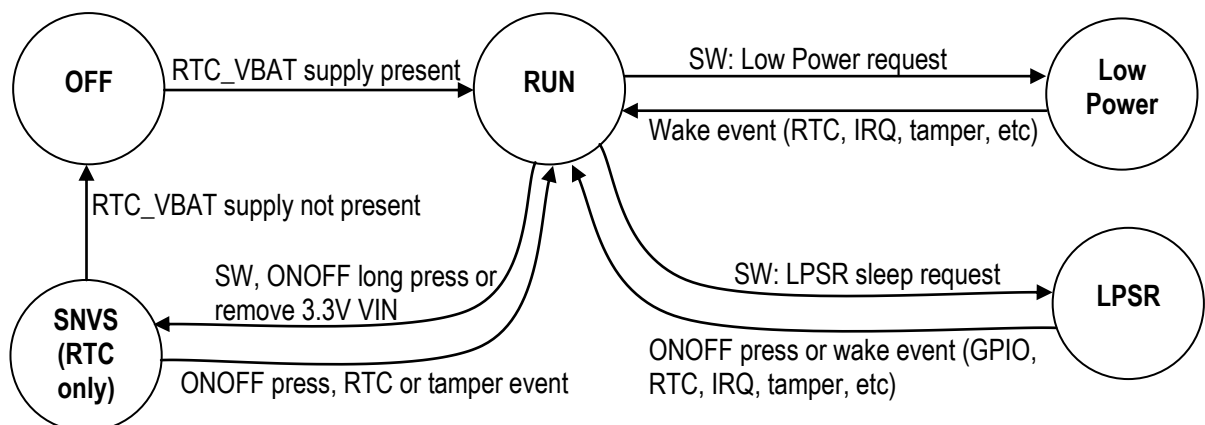


Figure 8 – i.MX7 Power Modes Transitions

The table below presents the different power supply voltage rails and their state in different power modes.

Power Rail	Off	SNVS (RTC only)	LPSR	Low Power	Run
VDD_ARM (CPU cores)	OFF	OFF	OFF	ON/OFF	ON
VDD_SOC	OFF	OFF	OFF	ON	ON
VDD_DRAM	OFF	OFF	ON/OFF	ON	ON
On-board Ethernet PHY	OFF	OFF	OFF	ON/OFF	ON/OFF
Off-board peripherals controlled by PERI_PWR_EN	OFF	OFF	OFF	ON	ON
LPSR I/O	OFF	OFF	ON	ON	ON
3.3V VIN	OFF	OFF	ON	ON	ON
RTC_VBAT	OFF	ON	ON	ON	ON

The different power modes are presented in more detail below.

7.1 Power Mode: OFF

This mode is self explanatory; all power rails are off.

7.2 Power Mode: SNVS (RTC only)

In this mode, only the RTC_VBAT power rail is on. All other power rails are off. The on-board Real-Time Clock (RTC) is running, i.e., keeping track of time.

Note that the power consumption of the RTC can quickly drain a standard (lithium) coin cell. A rechargeable battery solution is recommended. If this is not an option, an ultra-low power RTC (few uA) can be placed on the carrier board instead. In case, the RTC_VBAT power rail shall be connected to the 3.3V VIN power rail.

7.3 Power Mode: LPSR

This mode is an extension of the SNVS (RTC only) mode. In this state, the 3.3V VIN power rail is on but the CPUs and all digital/analog modules are powered down. IO rails are also off. The 16 LPSR IO pins are however active in this mode. One of the LPSR pins is used internally on the board (for watchdog functionality) but 15 LPSR IO pins are available for external expansion. These pins (GPIO1_IO01 - GPIO1_IO15) will keep their state in the LPSR mode and can be used to wake up the system again.

The DDR3L DRAM can optionally be kept in self-refresh mode, else it is switched off. Pin SNVS_TAMPER9 controls the self-refresh mode. A low pin level keeps the DRAM in self-refresh. A high pin level shuts down the DRAM.

7.4 Power Modes: Low Power

In this mode, the CPU is not running but the DRAM stays in self-refresh mode. There are three variations with different levels of power save and resulting response times.

- Suspend/Deep Sleep
This is the lowest power consumption mode of the three. All clocks and peripherals that are not used are turned off. Exiting this mode take the longest of these three modes.

- **Low Power Idle**
In this mode, some peripherals blocks are active and some are not. The time to exiting this mode is between the other two modes.
- **System Idle**
This is the highest power consumption mode of the three. This mode can be entered automatically if there is no system activity (i.e., no thread running). When entering this mode, the peripheral blocks that shall still be active are defined. Exiting this mode is the fastest of the three modes, resulting in short interrupt response.

7.5 Power Mode: RUN

In this mode, the system is up and running. All power rails are on. Functionality, like the Ethernet PHY, can be controlled via software to save power. The VDD_ARM (core voltage) can be adjusted via Dynamic Voltage Frequency Scaling (DVFS) techniques to reduce power consumption slightly. Basically, if the system load is low, the core operating frequency can be reduced and this allows the core voltage to also be reduced.

8 Technical Specification

8.1 Absolute Maximum Ratings

All voltages are with respect to ground, unless otherwise noted. Stress above these limits may cause malfunction or permanent damage to the board.

Symbol	Description	Min	Max	Unit
VIN	Main input supply voltage	-0.3	3.6	V
VBAT	RTC supply voltage	-0.3	3.6	V
VIO	Vin/Vout (I/O VDD + 0.3): 3.3V IO	-0.4	3.6	V
VADCIN	Analog input voltage on ADC inputs	-0.3	1.9	V
USB_xx_VBUS	USB VBUS signals	-0.3	5.25	V
USB_xx_DP/DN	USB data signal pairs	-0.3	3.63	V

8.2 Recommended Operating Conditions

All voltages are with respect to ground, unless otherwise noted.

Symbol	Description	Min	Typical	Max	Unit
VIN	Main input supply voltage	3.2	3.3	3.4	V
	Ripple with frequency content < 10 MHz			50	mV
	Ripple with frequency content ≥ 10 MHz			10	mV
VBAT	RTC supply voltage	2.8	3.3	3.6	V
	<p>Note: This voltage must remain valid at all times for correct operation of the board (including, but not limited to the RTC).</p> <p>Note: if the backup battery is rechargeable, the board provides a backup battery charger function.</p>				
USB_xx_VBUS	USB VBUS signals	4.4	5	5.25	V

8.3 Power Ramp-Up Time Requirements

Input supply voltages (VIN and VBAT) shall have smooth and continuous ramp from 10% to 90% of final set-point. Input supply voltages shall reach recommended operating range in 1-20 ms.

8.4 Electrical Characteristics

For DC electrical characteristics, see i.MX 7Dual Datasheet. Depending on internal VDD operating point, OVDD is 3.25V (50 mV under typical recommended VIN, 3.3V).

8.4.1 Reset Output Voltage Range

The reset output is an open drain output with a 1500 ohm pull-up resistor to VIN. Maximum output voltage when active is 0.4V.

8.4.2 Reset Input

The reset input is triggered by pulling the reset input low (0.2 V max) for 20 uS minimum. The internal reset pulse will be 140-280 mS long, before the i.MX 7Dual boot process starts.

8.5 Power Consumption

There are several factors that determine power consumption of the *iMX7 Dual COM Board*, like input voltage, operating temperature, DDR3L activity, operating frequencies for the different cores, DVFS levels and software executed (i.e., Linux distribution).

The values presented are typical values and should be regarded as an estimate. Always measure current consumption in the real system to get a more accurate estimate.

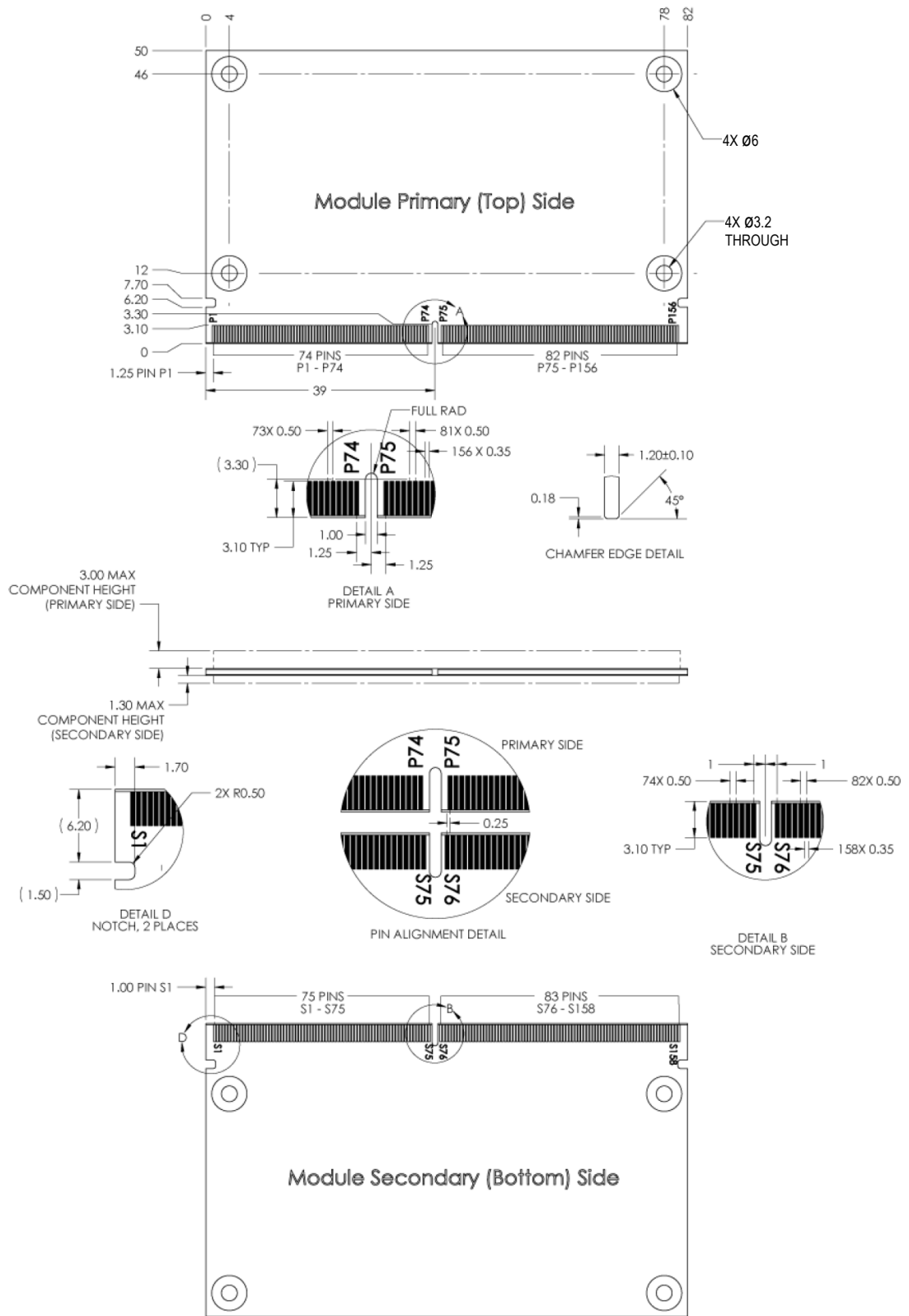
Symbol	Description (VIN = 3.3V, Toperating = 25°C)	Typical	Max Observed	Unit
I _{VIN_XXX}	Maximum CPU load, 996MHz ARM frequency	TBD	TBD	mA
I _{VIN_DSM}	Deep-Sleep mode (DSM), aka "Dormant mode" or "Suspend-to-RAM" in Linux BSP	TBD	TBD	mA
I _{VIN_IDLE}	System idle state	TBD	TBD	mA
I _{VIN_XXX}	Suspend state	TBD	TBD	mA
I _{VIN_XXX}	LPSR state			
I _{VIN_XXX}	Dhrystone benchmark on Cortex-A9 (996 MHz), CoreMark benchmark on Cortex-M4 (227 MHz)	TBD	TBD	mA
I _{VBAT_BACKUP}	Current consumption to keep internal RTC running	TBD	TBD	uA

8.6 Mechanical Dimensions

The board use the SMARC mechanical form factor.

Dimension	Value (±0.1 mm)	Unit
Module width	82	mm
Module height	50	mm
Module top side height	3.0	mm
Module bottom side height	1.3	mm
PCB thickness	1.2	mm
Mounting hole diameter	3.2	mm
Note: This measurement is not identical with SMARC specification.		
Module weight	16 ±1 gram	gram

The picture below show the mechanical details of the 82 x 50 mm module, including the pin numbering and edge finger pattern. The picture comes from the SMARC HW specification and show pin numbering in the Px and Sx format.



Picture source: SMARC HW Specification V1.1 © 2014 SGeT e.V.

Figure 9 – iMX7 Dual COM Board Mechanical Outline

8.6.1 MXM3 Socket

The board has 314 edge fingers that mates with an MXM3 connection, which is a low profile 314 pos, 0.5mm pitch right angle connector on the carrier board. This connector is available from different manufacturers in different board to board stacking heights, starting from 1.5 mm.

The AS0B821 and AS0B826 connector families from Foxconn are recommended.

Note that connector series MM70 (e.g., MM70-314-310B1) from JAE should not be used since this specific connector lack some of the pins. It is however possible to use the connector if it is acceptable for the project to not use the following pins:

- P146/300 E2PROM_WP This pin is also used to select USB OTG as boot mode (when pulled low), also known as "factory recovery" mode. Not having access to this pin means that USB OTG mode cannot be enabled from the carrier board.
- P147/302 VIN This is not any problem since there are many VIN pins.
- S149/303 GND This is not any problem since there are many GND pins.
- S148/301 GND This is not any problem since there are many GND pins.

Embedded Artists use connector AS0B826-S78B from Foxconn on the COM Carrier board. This connector gives a board to board stacking height of 5.0 mm. This space allows some components to also be placed right under the COM board.

Always check available component height before placing components on the carrier board under the COM board, see picture below.

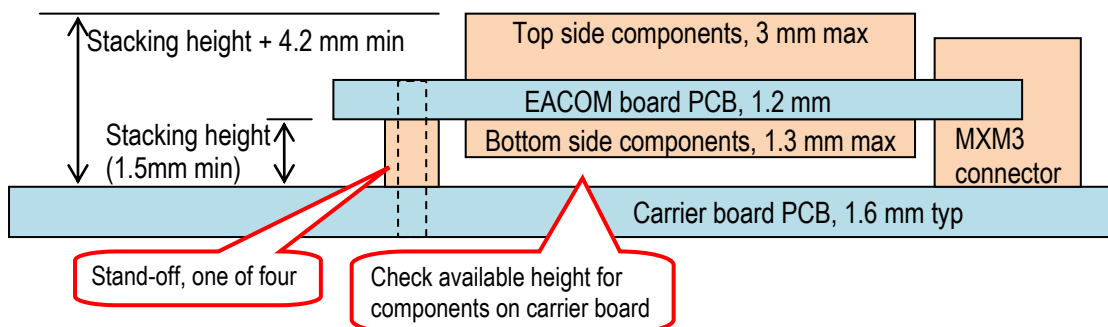


Figure 10 – COM Board Mounting in MXM3 Connector, Stacking Height

8.6.2 Module Assembly Hardware

The carrier board shall have four M3 threaded stand-offs for securing the EACOM board to the MXM3 connector and carrier board. Penn Engineering and Manufacturing (PEM, <http://www.pemnet.com>) makes surface mount spacers with M3 internal threads. Their product line is called "SMTSO". 5 mm height is standard so for simplicity select an MXM3 connector with 5 mm stacking height.

6-8 mm M3 screws are typically used.

8.7 Environmental Specification

8.7.1 Operating Temperature

Ambient temperature (T_A)

Parameter	Min	Max	Unit
Operating temperature range:	commercial temperature range	0	70 ^[1] °C
	industrial temperature range	-20	85 ^[1] °C
Storage temperature range	-40	85	°C
Junction temperature i.MX 7Dual SoC, operating:	comm. temp. range	0	95 °C
	ind. temp. range.	-20	105 °C

^[1] Depends on cooling solution.

8.7.2 Relative Humidity (RH)

Parameter	Min	Max	Unit
Operating: $0^{\circ}\text{C} \leq T_A \leq 70^{\circ}\text{C}$, non-condensing (comm. temp. range)	10	90	%
Operating: $-20^{\circ}\text{C} \leq T_A \leq 85^{\circ}\text{C}$, non-condensing (ind. temp. range)			
Non-operating/Storage: $-40^{\circ}\text{C} \leq T_A \leq 85^{\circ}\text{C}$, non-condensing	5	90	%

8.8 Thermal Design Considerations

Heat dissipation from the i.MX 7Dual SoC depending on many operating conditions, like operating frequency, operating voltage, activity type, activity cycle duration and duty cycle. Dissipated heat is less than 1 Watt.

If external cooling is needed, or not, depends on dissipated heat and ambient temperature range. In most cases it is possible to operate the *iMX7 Dual COM Board* without external cooling, at least with ambient temperature up to +60° Celsius. Above this, care must be taken not to exceed max junction temperature of the i.MX 7Dual.

The i.MX 7Dual SoC and PMIC (PF3000) together implement DVFS (Dynamic Voltage and Frequency Scaling) and Thermal Throttling. This enables the system to continuously adjust operating frequency and voltage in response to changes in workload and temperature. In general this result in higher performance at lower average power consumption.

The i.MX 7Dual SoC has an integrated temperature sensor for monitoring the junction (i.e., die) temperature, which affect several factors:

- A lower junction temperature, T_j , will result in longer SoC lifetime. See the following document for details: AN5334, i.MX7 Dual/Solo Product Lifetime Usage.
- A lower die temperature will result in lower power consumption due to lower leakage current.

8.8.1 Thermal Parameters

The i.MX 7Dual SoC thermal parameters are listed in the table below.

Parameter	Typical	Unit
Thermal Resistance, CPU Junction to ambient ($R_{\theta JA}$), natural convection	30.2	°C/W
Thermal Resistance, CPU Junction to package top (ψ_{JT})	0.2	°C/W

8.9 Product Compliance

Visit Embedded Artists' website at http://www.embeddedartists.com/product_compliance for up to date information about product compliances such as CE, RoHS2, Conflict Minerals, REACH, etc.

9 Functional Verification and RMA

There is a separate document that presents a number of functional tests that can be performed on the *iMX7 Dual COM Board* to verify correct operation on the different interfaces. Note that these tests must be performed on the carrier board that is supplied with the *iMX7 Dual COM Developer's Kit* and with a precompiled kernel from Embedded Artists.

The tests can also be done to troubleshoot a board that does not seem to operate properly. It is strongly advised to read through the list of tests and actions that can be done before contacting Embedded Artists. The different tests can help determine if there is a problem with the board, or not. For return policy, please read Embedded Artists' General Terms and Conditions document (http://www.embeddedartists.com/sites/default/files/docs/General_Terms_and_Conditions.pdf).

10 Things to Note

This chapter presents a number of issues and considerations that users must note.

10.1 Shared Pins and Multiplexing

The i.MX 7Dual SoC has multiple on-chip interfaces that are multiplexed on the external pins. It is not possible to use all interfaces simultaneously and some interface usage is prohibited by the *iMX7 Dual COM* on-board design. Check if the needed interfaces are available to allocation before starting a design. See chapter 4 for details.

10.2 Cannot Access Some Memory Cards

Some memory cards have a very high current consumption peak when turned on. This can cause problems accessing the memory cards because their voltage dip becomes too big.

As a solution, move the zero-ohm resistor in SJ8 to position 2-3 (instead of the default position: 1-2). This will power the memory card from the *COM Carrier Board* 3.3V supply instead of a supply from the *iMX7 Dual COM board*.

The picture below illustrates where SJ8 can be found on the bottom side of the *COM Carrier Board*.

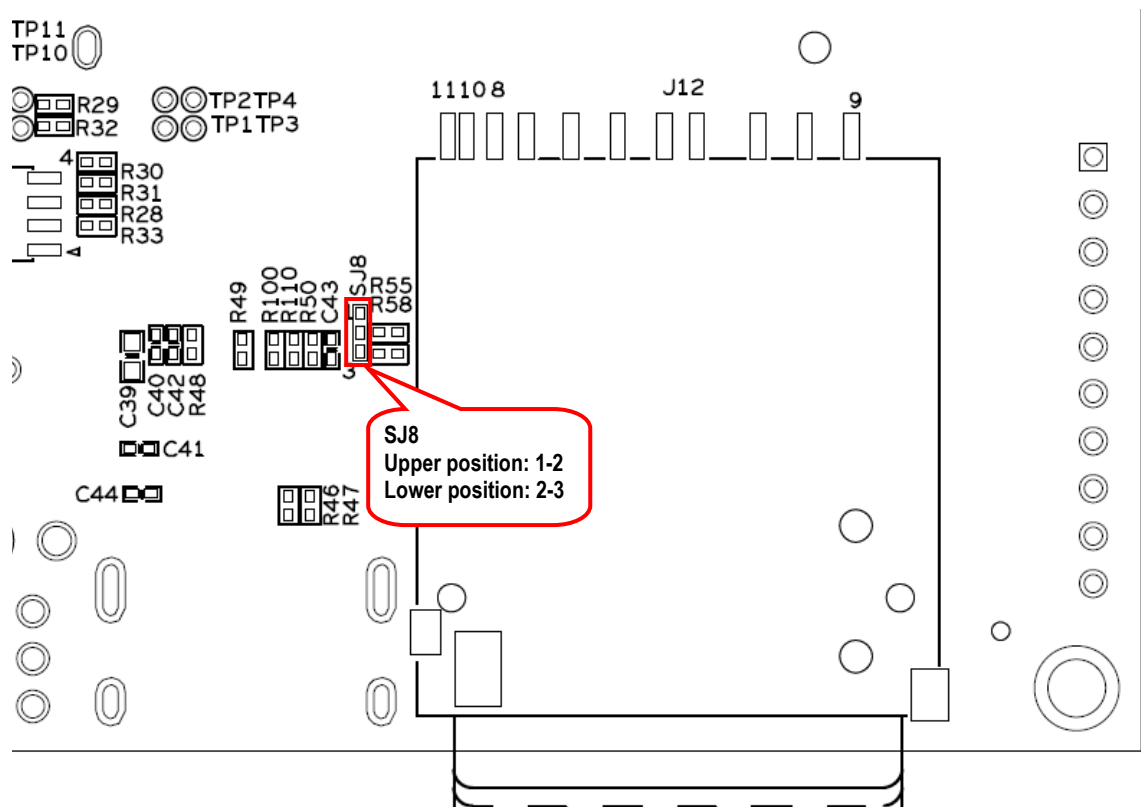


Figure 11 – Location of SJ8 on COM Carrier Board

10.3 Only Use EA Board Support Package (BSP)

The *iMX7 Dual COM board* use multiple on-board interfaces for the internal design, for example PMIC, eMMC and watchdog. Only use the BSP that is delivered from Embedded Artists. Do not change interface initialization and/or pin assignment for the on-board interfaces. Changing BSP settings can result in permanent board failure.

Note that Embedded Artists does not replace iMX7 Dual COM Boards that have been damaged because of improper interface initialization and/or improper pin assignment.

10.4 OTP Fuse Programming

The i.MX 7Dual SoC has on-chip OTP fuses that can be programmed, see NXP documents *iMX 7Dual Datasheet* and *iMX 7Dual Reference Manual* for details. Once programmed, there is no possibility to reprogram them.

iMX7 Dual COM Boards are delivered without any OTP fuse programming. It is completely up to the COM board user to decide if OTP fuses shall be programmed and in that case, which ones.

Note that Embedded Artists does not replace iMX7 Dual COM Boards because of wrong OTP programming. It's the user's responsibility to be absolutely certain before OTP programming and not to program the fuses by accident.

10.5 Write Protect on Parameter Storage E2PROM

The parameter storage E2PROM contains important system data like DDR memory initialization settings and Ethernet MAC addresses. The content should not be erased or overwritten. The E2PROM is write protected if signal E2PROM_WR (pin P146/300) is left unconnected, i.e. floating. This should always be the case.

Note that all carrier board design should include the possibility to ground this pin.

The signal E2PROM_WR has dual functions. By pulling the signal low, the i.MX 7 SoC will boot into USB OTG boot mode (also called 'serial download' or 'factory recovery' mode).

10.6 Integration - Contact Embedded Artists

It is strongly recommended to contact Embedded Artists at an early stage in your project. A wide range of support during evaluation and the design-in phase are offered, including but not limited to:

- Developer's Kit to simplify evaluation
- Custom Carrier board design, including 'ready-to-go' standard carrier boards
- Display solutions
- Mechanical solutions
- Schematic review of customer carrier board designs
- Driver and application development

The *iMX7 Dual COM Board* targets a wide range of applications, such as:

- Portable systems
- HMI/GUI solutions
- Portable medical and health care
- Connected vending machines
- Point-of-Sale (POS) applications
- Access control panels
- Audio
- IP phones
- Smart appliances
- eReaders

- Wearables
- Home energy management systems
- Industrial automation
- HVAC Building and Control Systems
- Smart Grid and Smart Metering
- Smart Toll Systems
- Data acquisition
- Communication gateway solutions
- Connected real-time systems
- ...and much more

For more harsh use and environments, and where fail-safe operation, redundancy or other strict reliability or safety requirements exists, always contact Embedded Artists for a discussion about suitability.

There are application areas that the *iMX7 Dual COM Board* is not designed for (and such usage is strictly prohibited), for example:

- Military equipment
- Aerospace equipment
- Control equipment for nuclear power industry
- Medical equipment related to life support, etc.
- Gasoline stations and oil refineries

If not before, **it is essential to contact Embedded Artists before production begins**. In order to ensure a reliable supply for you, as a customer, we need to know your production volume estimates and forecasts. Embedded Artists can typically provide smaller volumes of the *iMX7 Dual COM Board* directly from stock (for evaluation and prototyping), but **larger volumes need to be planned**.

The more information you can share with Embedded Artists about your plans, estimates and forecasts the higher the likelihood is that we can provide a reliable supply to you of the *iMX7 Dual COM Board*.

10.7 ESD Precaution when Handling iMX7 Dual COM Board

Please note that the *iMX7 Dual COM Board* come without any case/box and all components are exposed for finger touches – and therefore extra attention must be paid to ESD (electrostatic discharge) precaution, for example use of static-free workstation and grounding strap. Only qualified personnel shall handle the product.

Make it a habit always to first touch the mounting hole (which is grounded) for a few seconds with both hands before touching any other parts of the boards. That way, you will have the same potential as the board and therefore minimize the risk for ESD.

In general touch as little as possible on the boards in order to minimize the risk of ESD damage. The only reasons to touch the board are when mounting/unmounting it on a carrier board.

Note that Embedded Artists does not replace boards that have been damaged by ESD.

10.8 EMC / ESD

The *iMX7 Dual COM Board* has been developed according to the requirements of electromagnetic compatibility (EMC). Nevertheless depending on the target system, additional anti-interference measurement may still be necessary to adherence to the limits for the overall system.

The *iMX7 Dual COM Board* must be mounted on carrier board (typically an application specific board) and therefore EMC and ESD tests only makes sense on the complete solution.



No specific ESD protection has been implemented on the *iMX7 Dual COM Board*. ESD protection on board level is the same as what is specified in the i.MX 7Dual SoC datasheet. **It is strongly advised to implement protection against electrostatic discharges (ESD) on the carrier board** on all signals to and from the system. Such protection shall be arranged directly at the inputs/outputs of the system.

11 Custom Design

This document specifies the standard *iMX7 Dual COM Board* design. Embedded Artists offers many custom design services. Contact Embedded Artists for a discussion about different options.

Examples of custom design services are:

- Different memory sizes on DDR3L SDRAM and eMMC Flash.
- Different I/O voltage levels on all or parts of the pins.
- Different mounting options, for example remove QSPI and/or Ethernet interface.
- Different pinning on MXM3 edge pins, including but not limited to, SMARC compatible pinning.
- Different board form factor, for example SODIMM-200, high-density connectors on bottom side or MXM3 compatible boards that are higher (>50 mm).
- Different input supply voltage range, for example 5V input.
- Single Board Computer solutions, where the core design of the *iMX7 Dual COM Board* is integrated together with selected interfaces.
- Replace eMMC Flash with (unmanaged) MLC/SLC NAND Flash.
- Changed internal pinning to make certain pins available.

Embedded Artists also offers a range of services to shorten development time and risk, such as:

- Standard Carrier boards ready for integration
- Custom Carrier board design
- Display solutions
- Mechanical solutions

12 Disclaimers

Embedded Artists reserves the right to make changes to information published in this document, including, without limitation, specifications and product descriptions, at any time and without notice. This document supersedes and replaces all information supplied prior to the publication hereof.

Customer is responsible for the design and operation of their applications and products using Embedded Artists' products, and Embedded Artists accepts no liability for any assistance with applications or customer product design. It is customer's sole responsibility to determine whether the Embedded Artists' product is suitable and fit for the customer's applications and products planned, as well as for the planned application and use of customer's third party customer(s). Customers should provide appropriate design and operating safeguards to minimize the risks associated with their applications and products. Customer is required to have expertise in electrical engineering and computer engineering for the installation and use of Embedded Artists' products.

Embedded Artists does not accept any liability related to any default, damage, costs or problem which is based on any weakness or default in the customer's applications or products, or the application or use by customer's third party customer(s). Customer is responsible for doing all necessary testing for the customer's applications and products using Embedded Artists' products in order to avoid a default of the applications and the products or of the application or use by customer's third party customer(s). Embedded Artists does not accept any liability in this respect.

Embedded Artists does not accept any liability for errata on individual components. Customer is responsible to make sure all errata published by the manufacturer of each component are taken note of. The manufacturer's advice should be followed.

Embedded Artists does not accept any liability and no warranty is given for any unexpected software behavior due to deficient components.

Customer is required to take note of manufacturer's specification of used components, for example PMIC and eMMC. Such specifications, if applicable, contains additional information that must be taken note of for the safe and reliable operation. These documents are stored on Embedded Artists' product support page.

All Embedded Artists' products are sold pursuant to Embedded Artists' terms and conditions of sale: http://www.embeddedartists.com/sites/default/files/docs/General_Terms_and_Conditions.pdf

No license, express or implied, by estoppel or otherwise, to any intellectual property rights is granted under this document. If any part of this document refers to any third party products or services it shall not be deemed a license grant by Embedded Artists for the use of such third party products or services, or any intellectual property contained therein or considered as a warranty covering the use in any manner whatsoever of such third party products or services or any intellectual property contained therein.

UNLESS OTHERWISE SET FORTH IN EMBEDDED ARTISTS' TERMS AND CONDITIONS OF SALE EMBEDDED ARTISTS DISCLAIMS ANY EXPRESS OR IMPLIED WARRANTY WITH RESPECT TO THE USE AND/OR SALE OF EMBEDDED ARTISTS PRODUCTS INCLUDING WITHOUT LIMITATION IMPLIED WARRANTIES OF MERCHANTABILITY, FITNESS FOR A PARTICULAR PURPOSE (AND THEIR EQUIVALENTS UNDER THE LAWS OF ANY JURISDICTION), OR INFRINGEMENT OF ANY PATENT, COPYRIGHT OR OTHER INTELLECTUAL PROPERTY RIGHT.

UNLESS EXPRESSLY APPROVED IN WRITING BY THE CEO OF EMBEDDED ARTISTS, PRODUCTS ARE NOT RECOMMENDED, AUTHORIZED OR WARRANTED FOR USE IN MILITARY, AIR CRAFT, SPACE, NUCLEAR, LIFE SAVING, OR LIFE SUSTAINING APPLICATIONS, NOR IN PRODUCTS OR SYSTEMS WHERE FAILURE OR MALFUNCTION MAY RESULT IN PERSONAL INJURY, DEATH, OR SEVERE PROPERTY OR ENVIRONMENTAL DAMAGE.

Resale of Embedded Artists' products with provisions different from the statements and/or technical features set forth in this document shall immediately void any warranty granted by Embedded Artists

for the Embedded Artists' product or service described herein and shall not create or extend in any manner whatsoever, any liability of Embedded Artists.

This document as well as the item(s) described herein may be subject to export control regulations. Export might require a prior authorization from national authorities.

12.1 Definition of Document Status

Preliminary – The document is a draft version only. The content is still under internal review and subject to formal approval, which may result in modifications or additions. Embedded Artists does not give any representations or warranties as to the accuracy or completeness of information included herein and shall have no liability for the consequences of use of such information. The document is in this state until the product has passed Embedded Artists product qualification tests.

Approved – The information and data provided define the specification of the product as agreed between Embedded Artists and its customer, unless Embedded Artists and customer have explicitly agreed otherwise in writing.