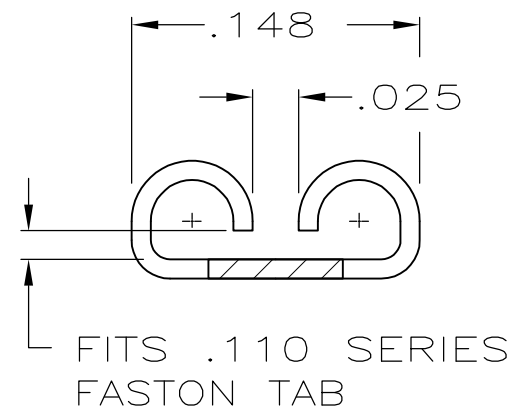
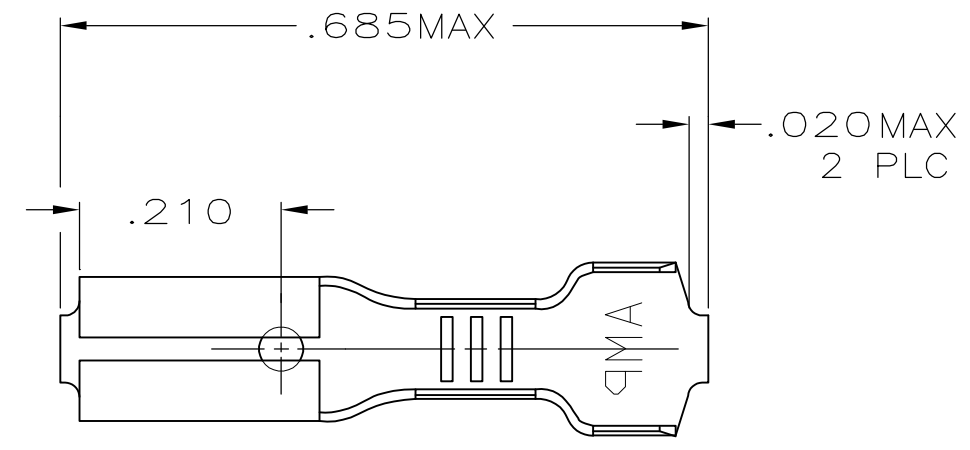


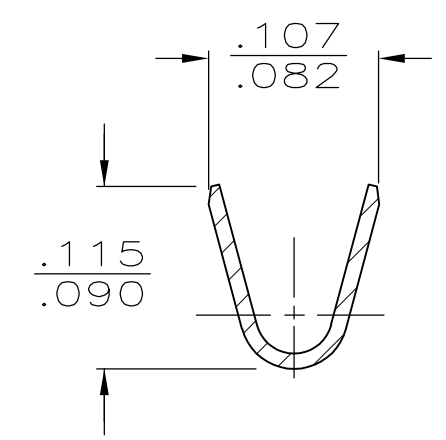
THIS DRAWING IS UNPUBLISHED. RELEASED FOR PUBLICATION
 © COPYRIGHT - By - ALL RIGHTS RESERVED.

LOC	DIST	REVISIONS					
AF	50	P	LTR	DESCRIPTION	DATE	DWN	APVD
		K		REVISED PER ECR-12-013445	18OCT12	KH	PD

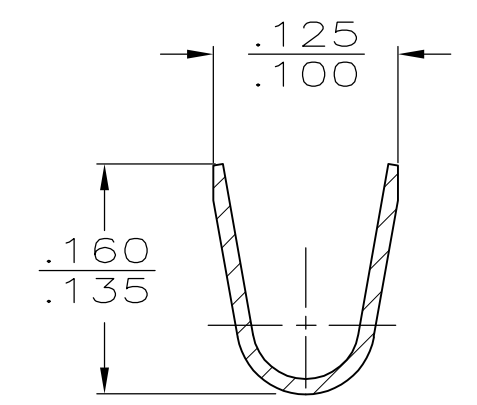
1 SUPPLIED IN LOOSE PIECE



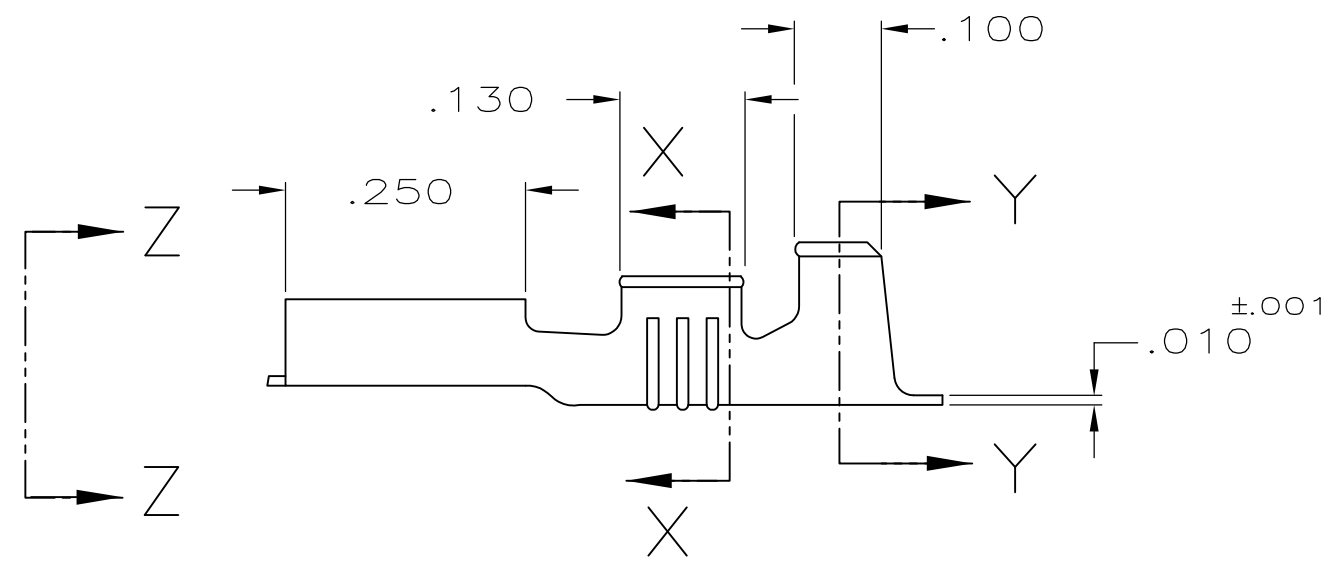
VIEW Z-Z



SECTION X-X
SCALE 10:1



SECTION Y-Y
SCALE 10:1



OBSOLETE	GOLD	.060-.100	22-18 AWG	.020	42470-2
	PRE-TIN	.060-.100	22-18 AWG	.020	42470-1
	FINISH	INSUL RANGE	WIRE SIZE	MATING TAB THK ±.001	PART NO

THIS DRAWING IS A CONTROLLED DOCUMENT.		DWN JR RUTH 12/20/90	TE Connectivity RECEPTACLE, FASTON, .110 SERIES						
DIMENSIONS: INCHES		CHK MS FEHER 12/20/90							
TOLERANCES UNLESS OTHERWISE SPECIFIED:		APVD C MEYERS 12/21/90							
0 PLC ± - 1 PLC ± - 2 PLC ± - 3 PLC ± .015 4 PLC ± - ANGLES ± -		NAME							
MATERIAL: BRASS		FINISH: SEE TABLE	PRODUCT SPEC: -	APPLICATION SPEC: -	WEIGHT: -	SIZE: A3	CAGE CODE: 00779	DRAWING NO: C-42470	RESTRICTED TO: -
CUSTOMER DRAWING			SCALE: 5:1	SHEET: 1 OF 1	REV: K				