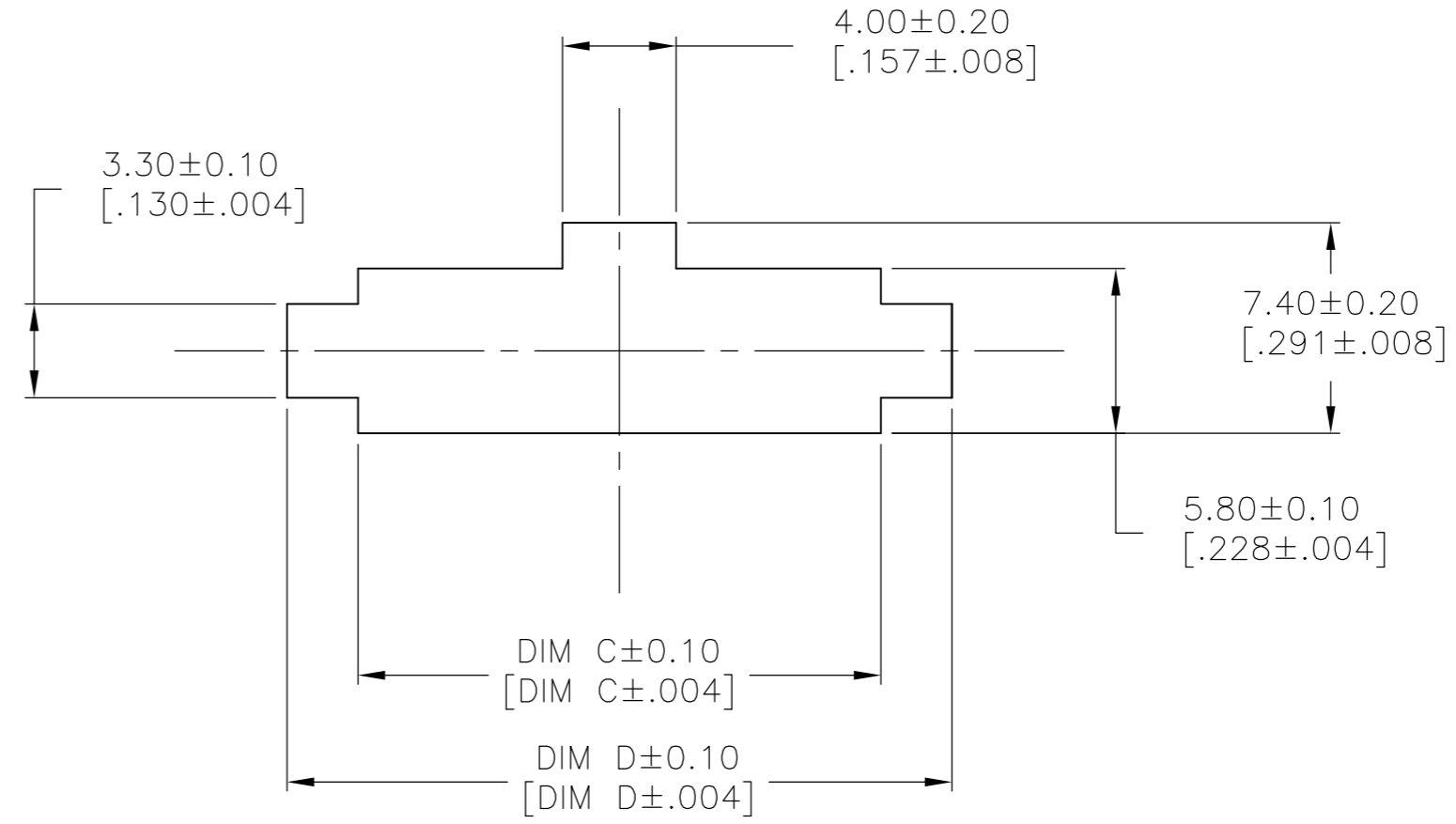
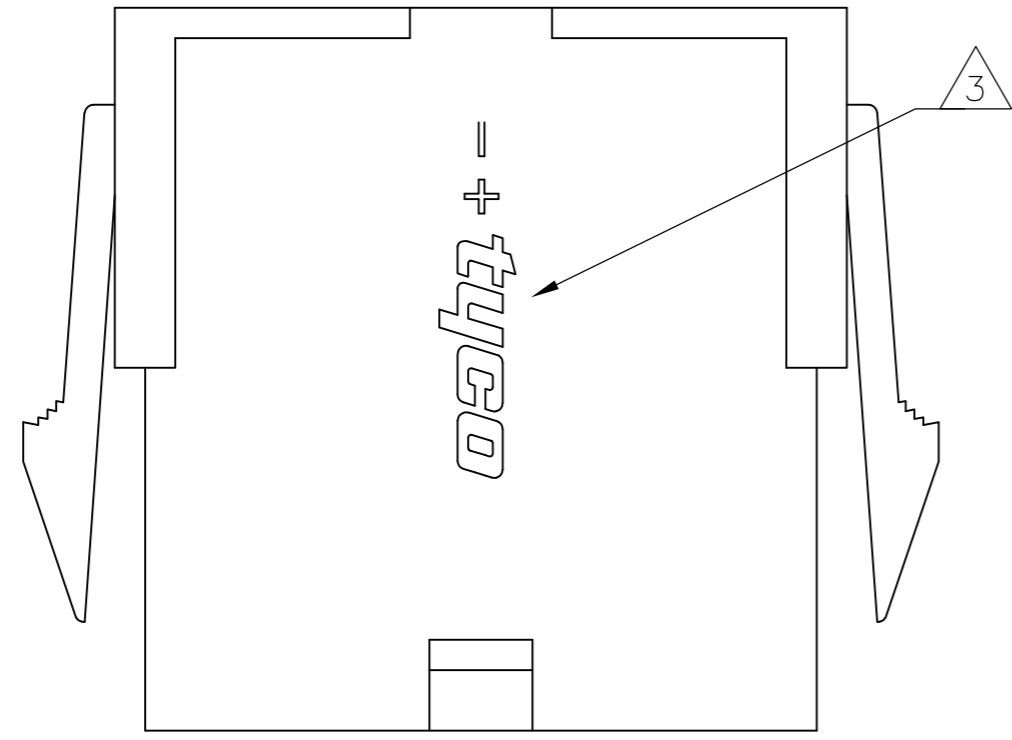
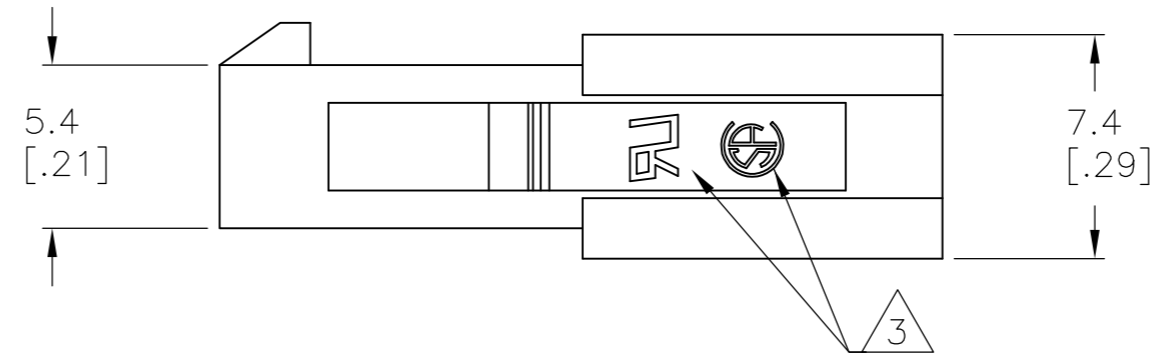
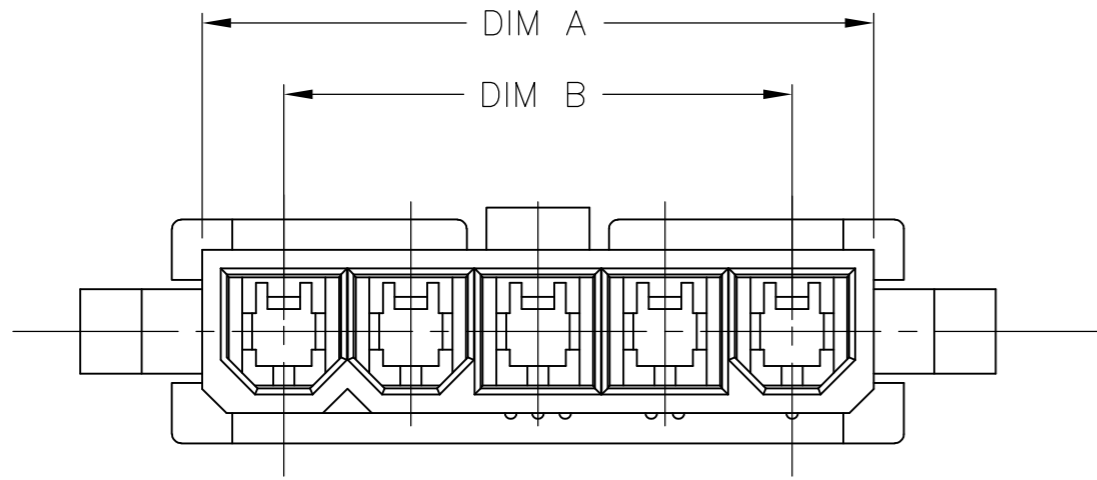


THIS DRAWING IS UNPUBLISHED. RELEASED FOR PUBLICATION  
 © COPYRIGHT BY TYCO ELECTRONICS CORPORATION. ALL RIGHTS RESERVED.

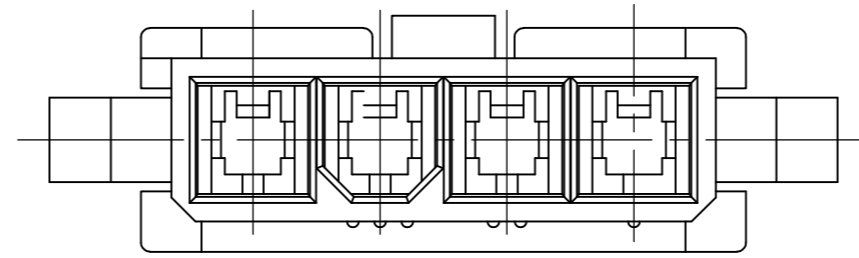
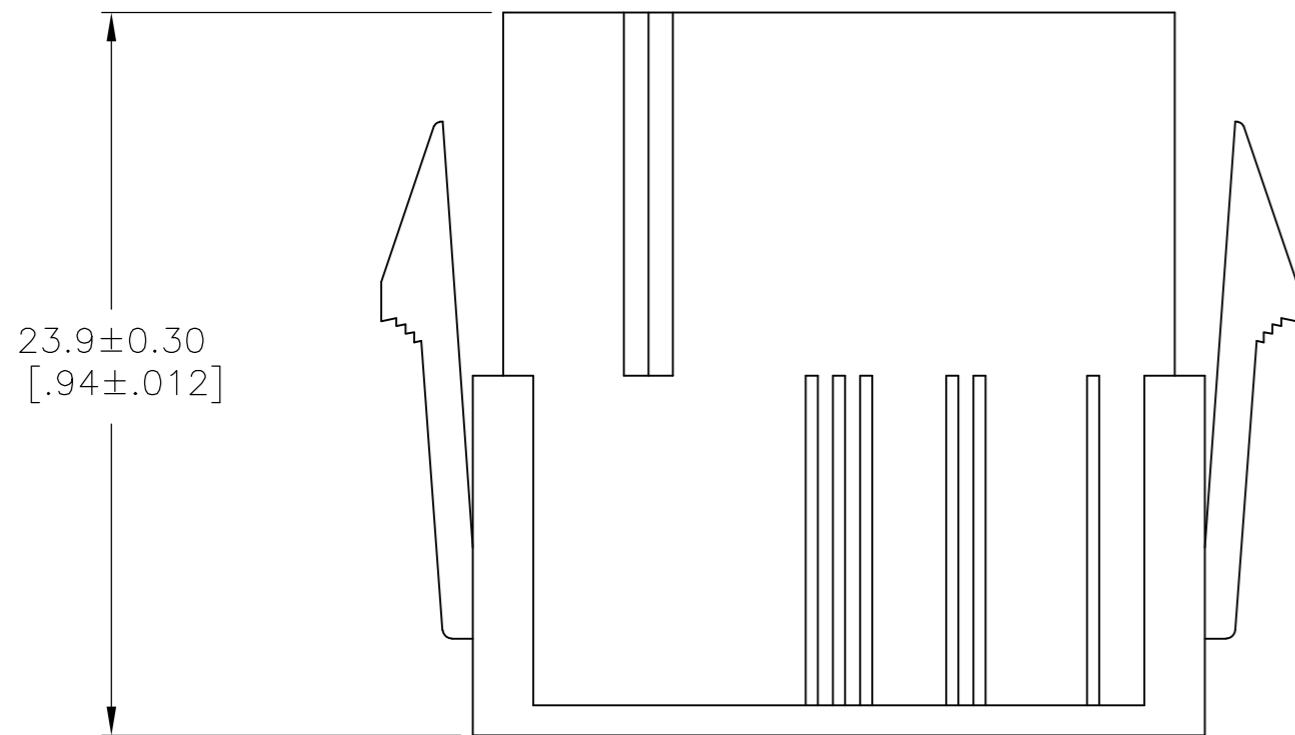
| LOC |     | DIST        |          | REVISIONS |     |      |  |
|-----|-----|-------------|----------|-----------|-----|------|--|
| P   | LTR | DESCRIPTION |          | DATE      | DWN | APVD |  |
| CM  | 00  | A           | WR-08-45 | 23SEP08   | KW  | CC   |  |



RECOMMENDED CUT-OUT FOR 2.00 [.079] MAX THICK PANEL

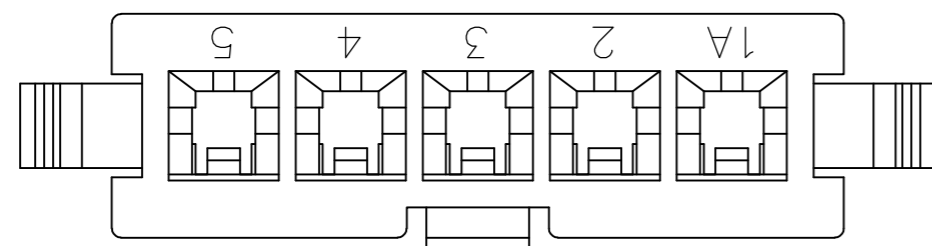


- 1 GLOW WIRE APPROVED, CONTACT TYCO ELECTRONICS ENGINEERING FOR SPECIFICATION.
- 2 PANEL SHOULD BE PUNCHED IN THE DIRECTION OF CONNECTOR INSERTION.
- 3 TE LOGO, UL LOGO, AND CSA LOGO - SIZE, LOCATION, AND ORIENTATION OPTIONAL.



4 POSITION MATING FACE (FOR POLARIZATION IDENTIFICATION)

|             |            |            |            |     |             |
|-------------|------------|------------|------------|-----|-------------|
| 27.6 [1.09] | 22.6 [.89] | 16.8 [.66] | 22.2 [.87] | 5   | 2029177-5   |
| 23.4 [.92]  | 18.4 [.72] | 12.6 [.50] | 18.0 [.71] | 4   | 2029177-4   |
| DIM D       | DIM C      | DIM B      | DIM A      | POS | PART NUMBER |



**METRIC**

THIS DRAWING IS A CONTROLLED DOCUMENT.

|                            |   |   |   |
|----------------------------|---|---|---|
| DIMENSIONS:<br>mm [INCHES] | TOLERANCES UNLESS OTHERWISE SPECIFIED:<br>0 PLC ± -<br>1 PLC ± 0.1 [.04]<br>2 PLC ± -<br>3 PLC ± -<br>4 PLC ± -<br>ANGLES ± -<br>FINISH | DWN<br>K. WHITAKER<br>23SEP2008<br>CHK<br>C. CASH<br>23SEP2008<br>APVD<br>C. CASH<br>23SEP2008<br>PRODUCT SPEC<br>APPLICATION SPEC<br>WEIGHT<br>-<br>CUSTOMER DRAWING | Tyco Electronics Corporation<br>Harrisburg, PA 17105-3608<br>NAME<br>PLUG, PANEL MOUNT, SINGLE ROW VAL-U-LOK(TM)<br>SIZE<br>A2<br>CAGE CODE<br>00779<br>DRAWING NO<br>C=2029177<br>RESTRICTED TO<br>- |
|----------------------------|---|---|---|

SCALE 4:1 SHEET 1 OF 1 REV A