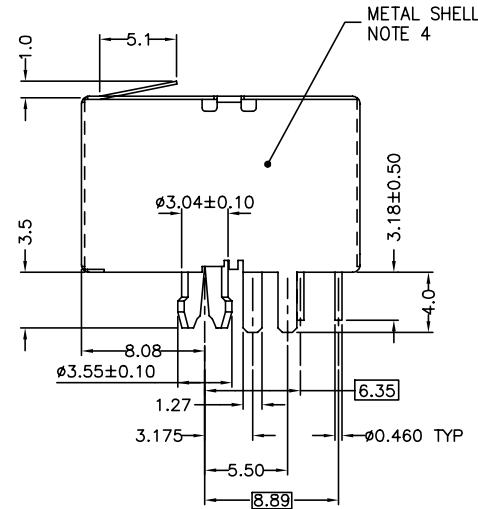
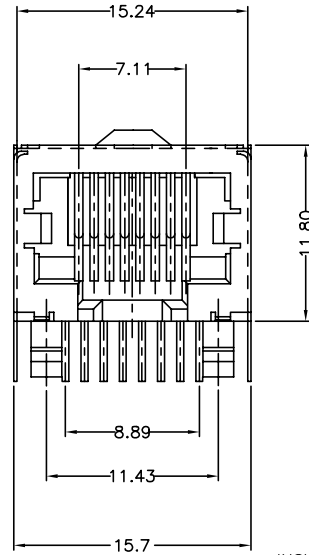


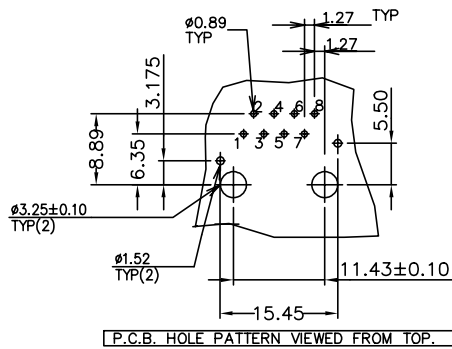
NOTES:

1. RECOMMENDED P.C.B. THICKNESS 1.60 MM
2. HOUSING MAT'L: NYLON 66, 25% GLASS REINFORCED, COLOR: GRAY
3. CONTACTS: PHOS BRONZE ALLOY UNS-C51000, Ø 0.460 ROUND WIRE, PLATING SEE TABLE.
- ④ METAL SHELL MATERIAL:
COPPER ALLOY, 0.20MM THICK.
FINISH: FOR 94927-XXX, TIN-LEAD, 100u" THICK MIN.
FOR 94927-XXXLF, PURE BRIGHT TIN 80u" THICK MIN.
- ⑤ INSULATED TAPE: 3M COMPANY TAPE #5
6. PACKAGING PER GES-14-361, USING TUBE
7. IF LF P/N THE PRODUCT MEETS EUROPEAN UNION DIRECTIVES AND OTHER COUNTRY REGULATIONS AS DESCRIBED IN GS-22-008
8. THE HOUSING WILL WITHSTAND EXPOSURE TO 260° PEAK TEMPERATURE FOR 10 SECONDS IN A WAVE SOLDER APPLICATION WITH A 1.60mm MINIMUM THICK CIRCUIT BOARD
9. IF LF P/N PACKAGING MEETS GS-14-920 SPECIFICATION

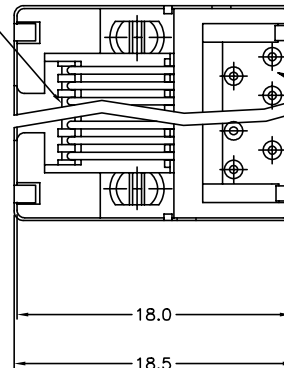


METAL SHELL
NOTE 4

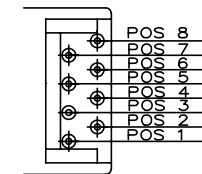
INSULATED TAPE
NOTE 5



P.C.B. HOLE PATTERN VIEWED FROM TOP.



MOD JACK ASS'Y



POS. NO. CONFIGURATION

PRODUCT NO	NUMBER OF POS.	LOADED POSITION	PLATING
94927-088	8	ALL POS.	5u" Au + high performance lubricant
94927-088LF			

mat'l. code		surface ISO1302 ✓	tolerance ISO1101 ISO406	projection mm	product family MOD JACK
l	tr	ec	no	dr	date
B	T50286	CL	10/20/95	angle	0.X±0.3
C	T03-0443	WL	10/06/03	radius	0.XX±0.15
D	N05-0030	YS	02/05/05	0°±2'	0.XXX±0.05
E	ELX-N-011003	SH	MM	03/25/12	dr
				CL FENG	03/06/95
				enr TONY CHIEN	03/06/95
				chr TONY CHIEN	03/06/95
				appd JENN TSAO	03/06/95
sheet index	revision	E			
	sheet	1			
dwg no		sheet 1 of 1		size	
94927				A4	
type		Product Customer Drawing			