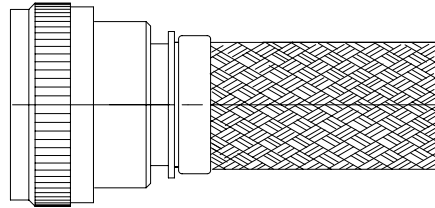


REVISIONS			
LTR	DESCRIPTION	DATE	APPROVED
M	REVISED PER ECN AD930		



CODE 41, SHIELDED STRAIGHT ADAPTER

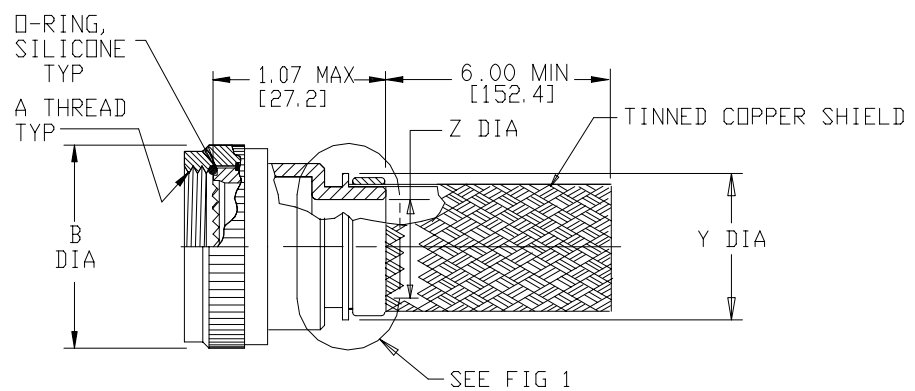
NOTES:

1. THIS PRODUCT IS DESIGNED TO TERMINATE A HEAT SHRINKABLE LIPPED BOOT TO A CONNECTOR.
2. FOR ADDITIONAL DIMENSIONS, ORDERING INFORMATION AND MODIFICATIONS, SEE CH00-0250-004.
3. ADAPTER TO BE PERMANENTLY MARKED WITH CODE IDENT. NO. AND PART NO. (E.G.: 06090-204M012-19B08).
- ④ FOR LARGER ENTRY SIZES, A 2 PIECE ADAPTER (TYPE II) IS SUPPLIED.
- ⑤ BRAID TERMINATION RING MAY BE SUPPLIED AS TINEL-LOCK SHAPE MEMORY RING AT MANUFACTURER'S OPTION.
- ⑥ ADAPTER MATES TO MIL-C-38999 SERIES I & II, CLASS E & T, MS27466, MS27467, MS27468, MS27472, MS27473, MS27474, MS27479, MS27480, MS27481, MS27484, MS27497, MS27652, MS27653, MS27654, MS27656 CONNECTORS.

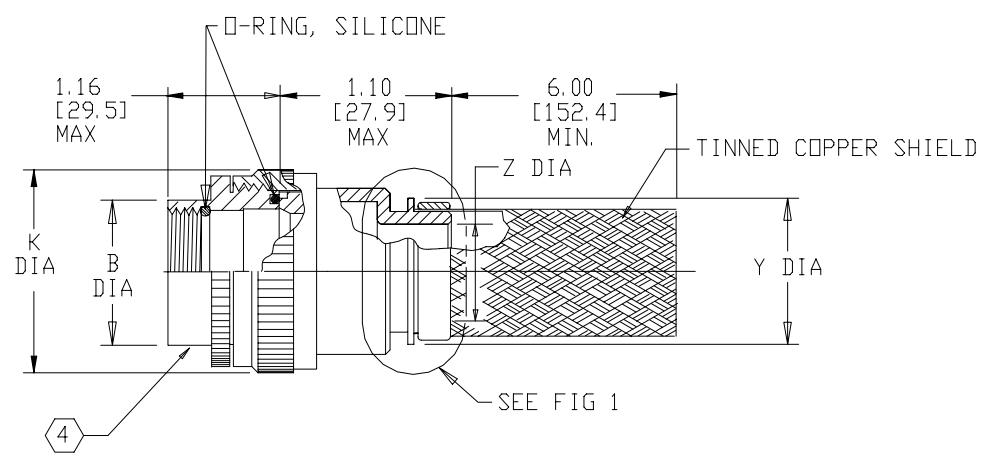
If this document is printed it becomes uncontrolled.
Check for the latest revision.

SPECIFICATION CONTROL DRAWING

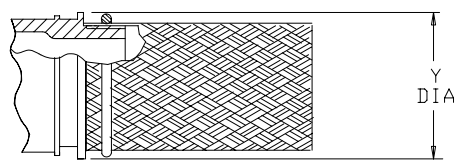
UNLESS OTHERWISE SPECIFIED DIMENSIONS ARE IN INCHES. METRIC DIMENSIONS ARE IN BRACKETS. DECIMALS .XXX ± — [mm] .XX ± — [mm] .X ± — [mm] ANGLES .X ± —	DRAWN R. RAMIREZ	DATE 03-19-93		Tyco Electronics Corporation 300 Constitution Drive Menlo Park, CA. 94025 U.S.A.		
	CHECKED	DATE				
	APPROVED W. C. GAY	DATE 05-19-93	TITLE ADAPTER, SHIELD, STRAIGHT CODE 41			
	APPROVED	DATE				
CAD NAME \ACAD12\204M0XX						
THIRD ANGLE PROJECTION 	SIZE A	CODE IDENT. NO. 06090	DWG. NO. 204M0XX	REV M		
DO NOT SCALE THIS DWG			SHEET 1 OF 3			



STRAIGHT ADAPTER-TYPE I



STRAIGHT ADAPTER-TYPE II



TINEL-LOCK TERMINATION

FIG 1 (5)

If this document is printed it becomes uncontrolled.
Check for the latest revision.

SIZE	CODE IDENT. NO.	DWG. NO.	REV
A	06090	204M0XX	M
DO NOT SCALE THIS DWG		CAD NAME \ACAD12\204M0X-2	SHEET 2 OF 3

TABLE I



BASE PART NO.	SHELL SIZE 		MAX ENTRY SIZE TYPE I 	A THREAD CLASS 2B	B DIA MAX
	SER 1	SER 2			
204M008	9	8	04	.438-28 UNEF	.750 [19.1]
204M010	11	10	06	.562-24 UNEF	.850 [21.6]
204M012	13	12	08	.688-24 UNEF	1.000 [25.4]
204M014	15	14	10	.812-20 UNEF	1.100 [27.9]
204M016	17	16	12	.938-20 UNEF	1.250 [31.8]
204M018	19	18	13	1.062-18 UNEF	1.400 [35.6]
204M020	21	20	15	1.188-18 UNEF	1.500 [38.1]
204M022	23	22	16	1.312-18 UNEF	1.650 [41.9]
204M024	25	24	18	1.438-18 UNEF	1.750 [44.5]

TABLE II

ENTRY SIZE	K MAX	Z ±.020 [±0.51]	Y DIA MIN
03	NA	.187 [4.75]	.393 [9.98]
04	NA	.250 [6.35]	.456 [11.58]
05	.80 [20.3]	.312 [7.92]	.515 [13.08]
06	.80 [20.3]	.375 [9.53]	.581 [14.76]
07	.92 [23.4]	.438 [11.13]	.643 [16.33]
08	.92 [23.4]	.500 [12.70]	.705 [17.91]
09	1.18 [30.0]	.562 [14.27]	.705 [17.91]
10	1.18 [30.0]	.625 [15.88]	.831 [21.11]
11	1.18 [30.0]	.688 [17.48]	.893 [22.68]
12	1.35 [34.3]	.750 [19.05]	.953 [24.21]
13	1.41 [35.8]	.812 [20.62]	.953 [24.21]
14	1.41 [35.8]	.875 [22.23]	1.081 [27.46]
15	1.60 [40.6]	.938 [23.83]	1.143 [29.03]
16	1.60 [40.6]	1.000 [25.40]	1.205 [30.61]
18	1.66 [42.2]	1.125 [28.58]	1.381 [35.08]
20	2.04 [51.8]	1.250 [31.75]	1.506 [38.25]
22	2.23 [56.6]	1.375 [34.93]	1.631 [41.43]
24	2.23 [56.6]	1.500 [38.10]	1.756 [44.60]
28	2.48 [63.0]	1.750 [44.45]	2.004 [50.90]

If this document is printed it becomes uncontrolled.
Check for the latest revision.

SIZE A	CODE IDENT. NO. 06090	DWG. NO. 204M0XX	REV M
DO NOT SCALE THIS DWG		CAD NAME \ACAD12\204M0X-3	SHEET 3 OF 3