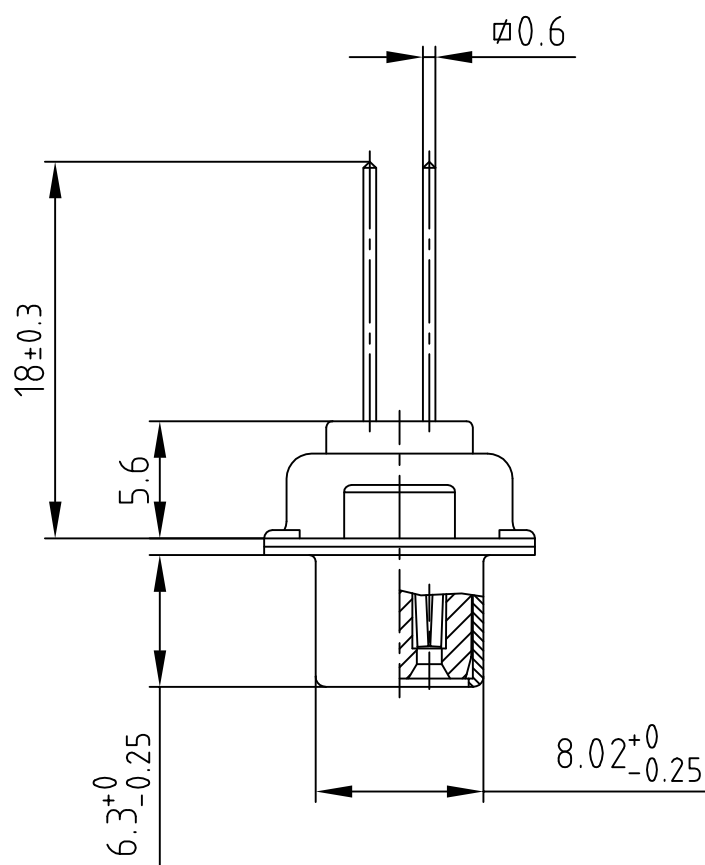
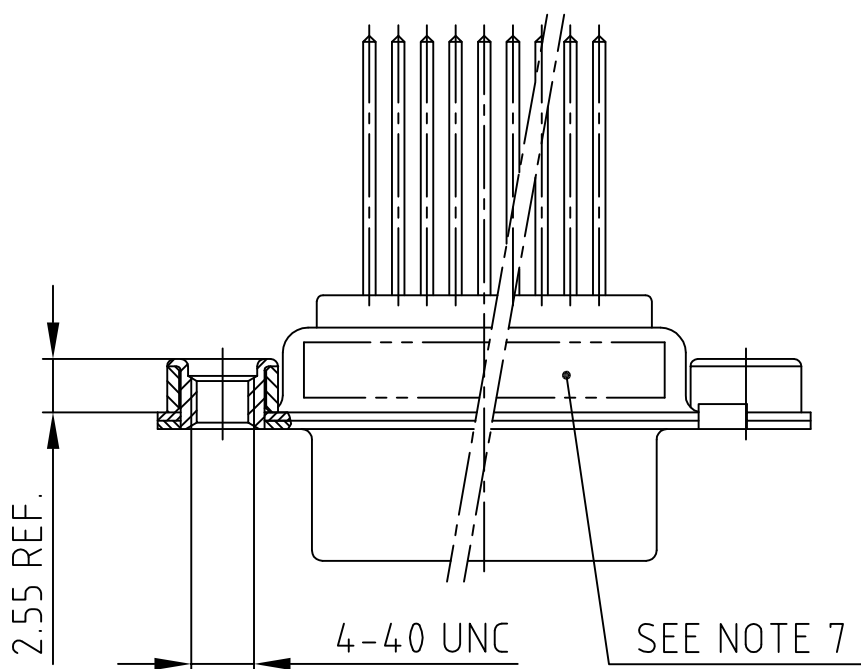
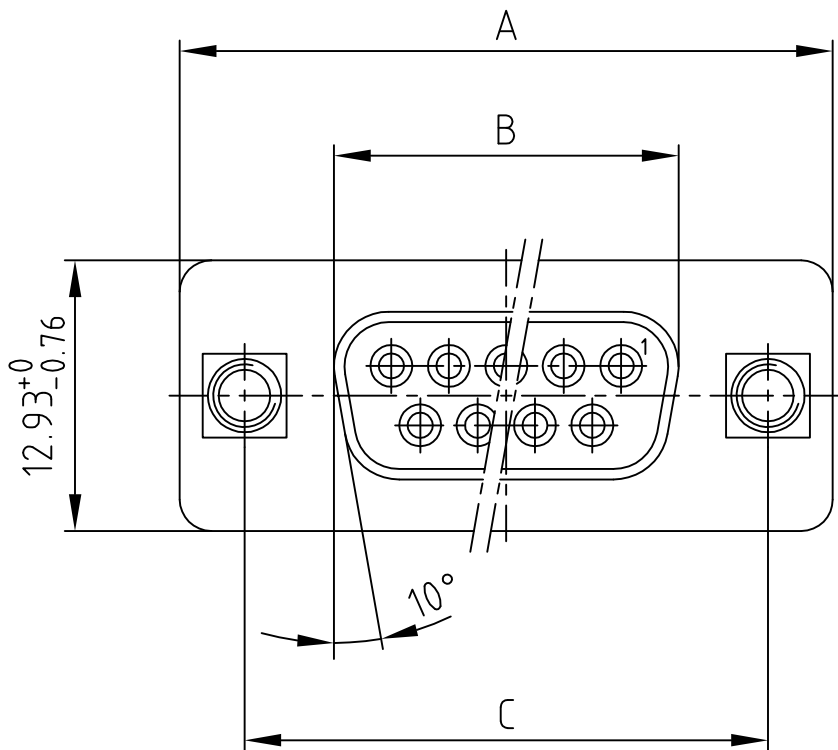


used for: D-SUB

Part-No.	No. of pos.	A -0.76	B -0.25	C
164A10419X	9	31.19	16.46	25.00 $^{+0.12}_{-0.13}$
164A10429X	15	39.52	24.79	33.30 $^{+0.15}_{-0.1}$
164A10439X	25	53.42	38.50	47.04 ± 0.13
164A10449X	37	69.70	54.96	63.50 ± 0.13



NOTES:

- METALSHELLS: STEEL; min. 320µin TIN
- INSULATORS: PBT GF UL 94 V-0; BLACK
- CONTACTS: COPPER ALLOY
PLATING: min. 8µin HARD GOLD over min. 50µin NICKEL
- THREADED INSERT: COPPER ALLOY; min. 200µin TIN over 80µin NICKEL
- COLLAR: COPPER ALLOY; min. 200µin TIN over 80µin NICKEL
- MAXIMUM TORQUE VALUE FOR THREAD: 6 in.LB
- CONNECTOR IS PART MARKED: PART-NO. CONEC ABC

Directive 2002/95/EC RoHS compliant

APPROVAL # FREIGABE # DEBLOCAGE # AUTORIZACION # APPROVAL	
CUSTOMER APPROVAL DATE:	
NAME:	TITLE:
COMPANY NAME:	
APPROVAL # FREIGABE # DEBLOCAGE # AUTORIZACION # APPROVAL	

THIS DRAWING MAY NOT BE COPIED OR REPRODUCED IN ANY WAY, AND MAY NOT BE PASSED ON TO A THIRD PARTY WITHOUT WRITTEN PERMISSION.
 OWNERSHIP AND COPYRIGHT OF CONEC GmbH
 DO NOT ALTER CAD DRAWING BY HAND

tolerance			
2002	date	name	
drawn	08.07.	Parei	
appd.	08.07.	E. Mickenbecker	
norm	DIN 41652		
d-old			
rev.	description	date	name



scale:	2:1	
material:	SEE NOTES	
title:	D-SUB FEMALE 9-37pos. WIRE WRAP with threaded insert	
dwg no:	AutoCAD 2000	DIN-A 4
	16K1A705	
part no:	SEE TABLE	
		sh: 1/1