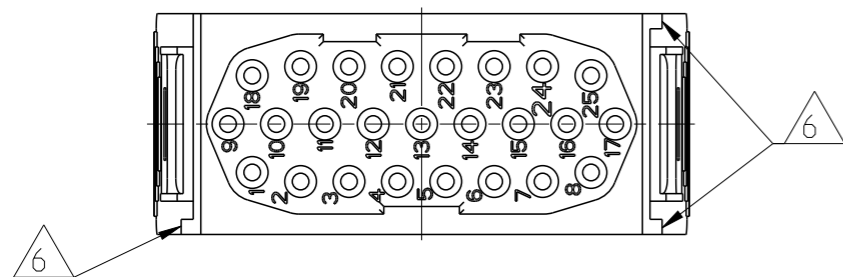


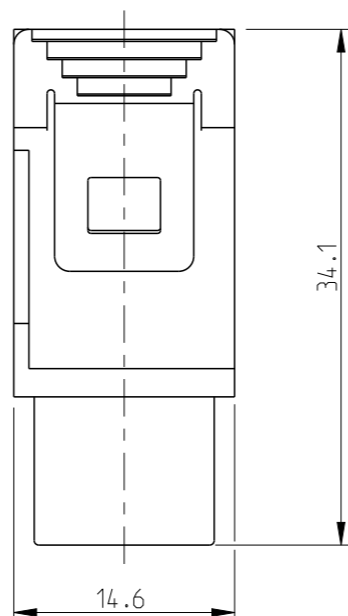
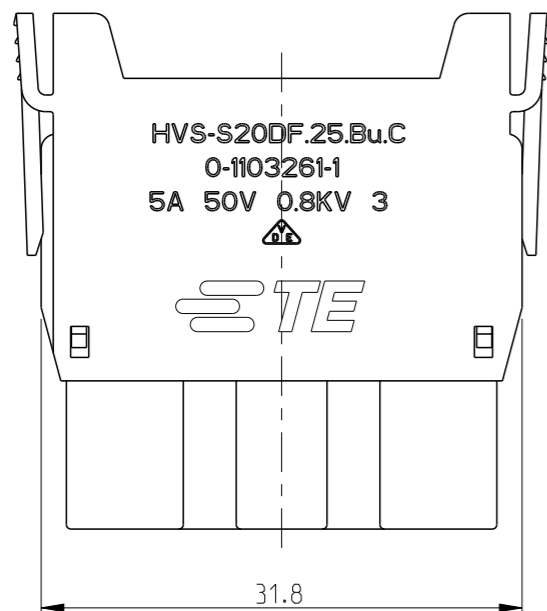
LOC	DIST	REVISIONS					
		P	LTR	DESCRIPTION	DATE	DWN	APVD
A1		C		ECR-15-007656	06JUN2015	GSK	JB

PN 0-1 As Shown

Contact arrangement view from connecting side



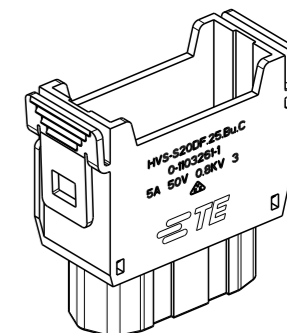
Lateral Print



NOTES

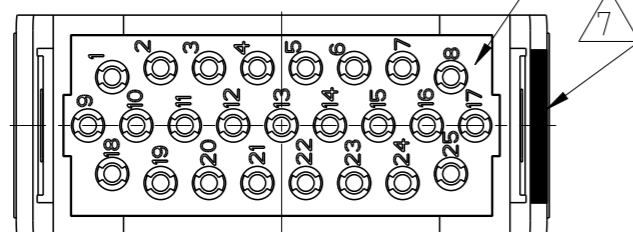
- SUITABLE CRIMP CONTACTS: SERIES S20DF
CATALOG: 889745
OUTER DIMENSIONS OF INSULATION: MAX. Ø1.6mm
- SUITABLE MODULE FIXING FRAME: SERIES HVS SIZE 3 TO 8
CUSTOMER DRAWING: 1103250
- SUITABLE INSERTION TOOL:
CUSTOMER DRAWING: 1102855
- SUITABLE EXTRACTION TOOL:
CUSTOMER DRAWING: 1102855
- STANDARDS:
DIN EN 61984; DIN EN 60664-1
- POLARIZATION RIPS
- MARKING OF POLARIZATION ACCORDING TO MARKING OF MODULE FRAME
- PACKAGING:
10 SETS IN A CARTON, PRE-MOUNTED

PN 0-1 As Shown



SCALE 1:1

Contact arrangement view from termination side



QTY.	DESCRIPTION	MATERIAL	COLOR	NOTE	ITEM
1	FEMALE INSERT	PBT-GF10	LIGHT GREY	HVS-S20DF.25.BU.C	2
1	CONTACT INSERT	PBT-GF15	LIGHT GREY	HVS-S20DF.25	1

HVS-S20DF.25.BU.C

THIS DRAWING IS A CONTROLLED DOCUMENT.		DWN	20.02.2006		TE Connectivity	
		CHK	20.02.2006			
		APVD	20.07.2005	NAME		
		T.SCHNURPFIL		FEMALE INSERT ASSY		
		108-74079		HVS-S20DF-25.BU.C		
		114-74081		SIZE	CAGE CODE	DRAWING NO
		WEIGHT		A3	00779	C-1103261
		CUSTOMER DRAWING		SCALE	SHEET	OF
				2:1	1	1
				REV C		

DIMENSIONS:	TOLERANCES UNLESS OTHERWISE SPECIFIED:
mm	ISO 8075
	DIN ISO 2768 mH-E
	DIN 16901-120
	0 PLC ±
	1 PLC ±
	2 PLC ±
	3 PLC ±
	4 PLC ±
	ANGLES ±
MATERIAL	FINISH