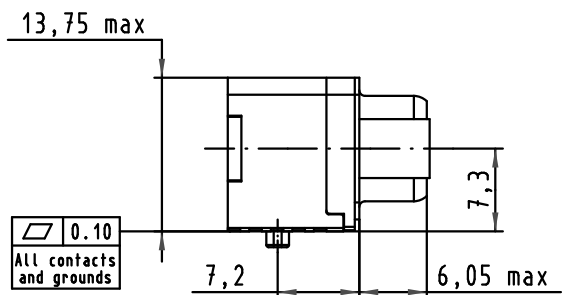
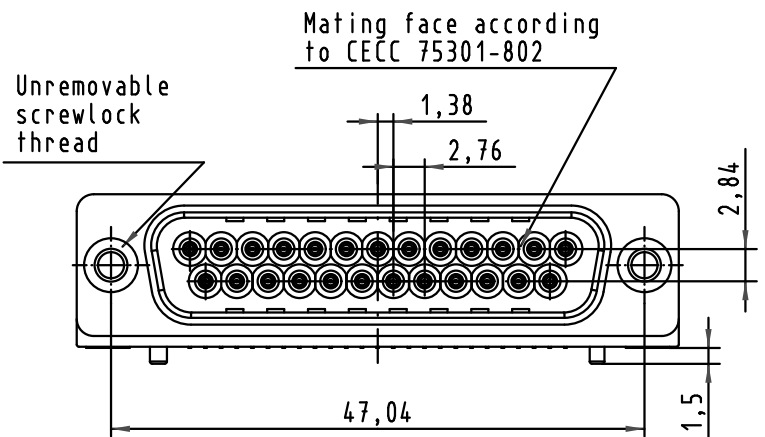


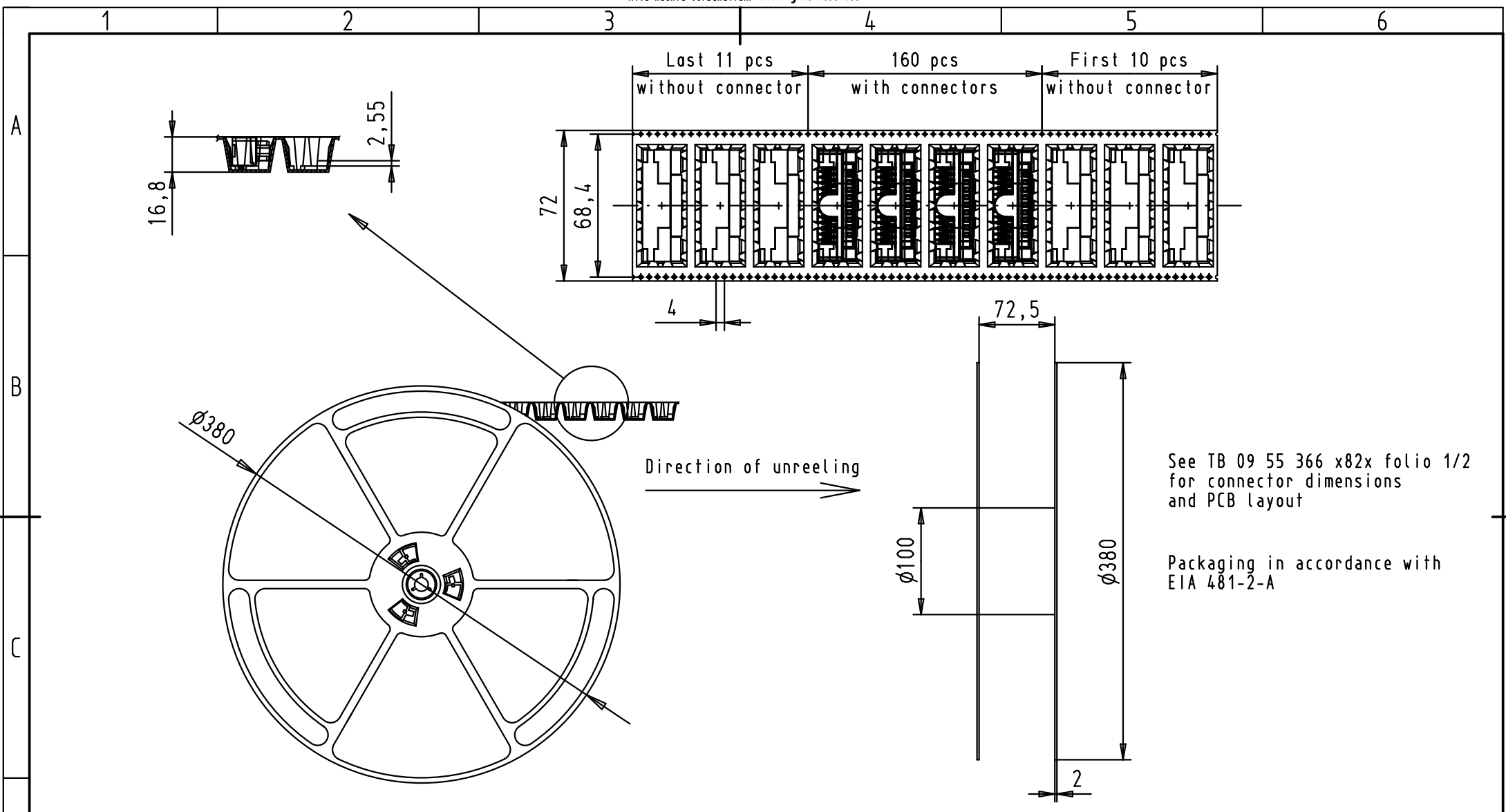


PCB Layout, component side (thickness 1,6mm min.)



Max. Temperature: 260°C during 10 seconds

D	09553663822.741	1	4-40 UNC	Black Insulator	Reel Packaging (140 connectors) see page 2/2				Dot.	Name	 All Dim. in mm Orig. Size DIN A 4	D-SUB SMT Standard Male 25p with die casted grounds and unremovable screwlocks 1,5:1	
	09553666822.741	2							Detail.	30Jun2010			ED
	09553667822.741	3							Insp.				
	09553663821.741	1	M3					Stand.					
	09553666821.741	2						EC02316	30Aug2010	ED			HARTING EURL F-95972 Paris 
	09553667821.741	3						EC01953	30Jun2010	ED			
Part number	PL	Thread	Index designation	Mod.	Dot.	Name	Sub.	TB 09 55 366 x82x Blatt/ Page 1 / 2					



See TB 09 55 366 x82x folio 1/2 for connector dimensions and PCB layout

Packaging in accordance with EIA 481-2-A

D	09553663822.741	1	4-40 UNC	Black Insulator	Reel Packaging (140 connectors)				Dot.	Name		D-SUB SMT Standard Male 25p with die casted grounds and unremovable screwlocks	Maßstab/ Scale		
	09553666822.741	2							Detail.	30Jun2010				ED	All Dim. in mm Orig. Size DIN A 4
	09553567822.741	3							Insp.						
	09553663821.741	1	M3						Stand.				TB 09 55 366 x82x	Blatt/ Page 2 / 2	
	09553666821.741	2							EC02316	30Aug2010	ED				HARTING EURL F-95972 Paris
	09553667821.741	3							EC01953	30Jun2010	ED				
	Part number	PL	Thread	Index designation	Mod.	Dot.	Name			Sub.					