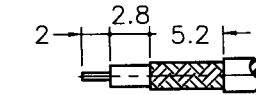


REVISIONS				
ISS	ZONE	DESCRIPTION	PER REQUEST	DATE
B	A-3	NO.5 WAS CHANGED	RD-DM92022001L	02-20-03'

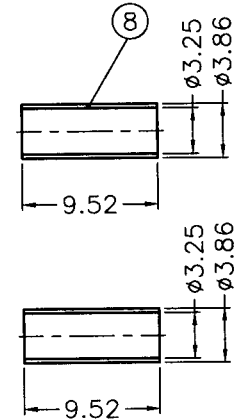
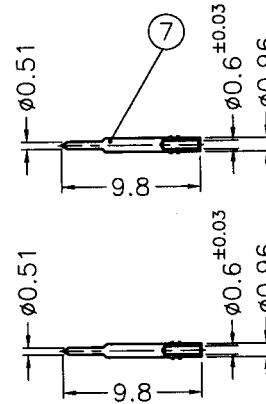
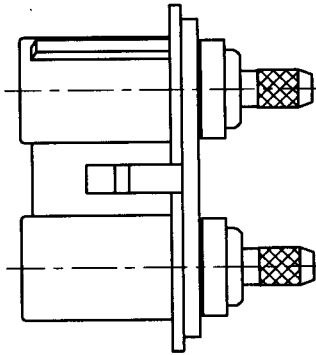
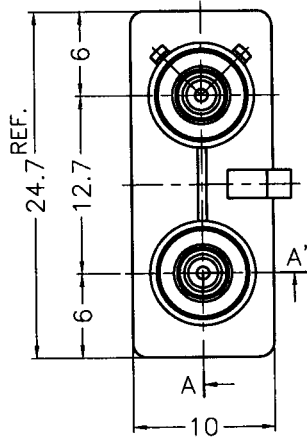
CONFIGURATION CONTROL:
NO CHANGES PERMITTED TO DRAWING WITHOUT PPAP QUALIFIED CUSTOMER APPROVAL

REMARK: 1. NO.2 MUST WITHSTAND A 4 lbs. MIN. PUSHOUT FORCE FROM NO.1 AFTER STAKING OPERATION
2. REMARK 1 IS MAINTAINED BY STAMPING THE FOUR POINTS SHOWN ON THE DRAWING WITHOUT PUNCTURING NO.1

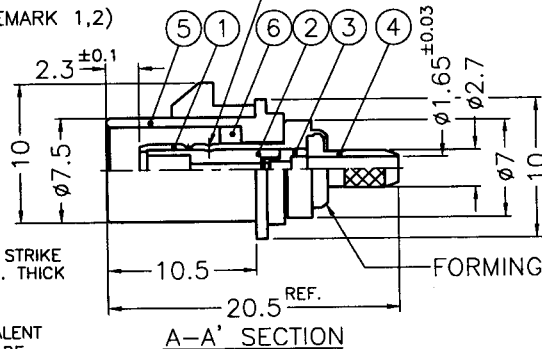


RECOMMENDED CABLE STRIPPING DIM'S

1. CRIMPED FERRULE HEX CRIMP SIZE .128"
2. CRIMPED CONTACT PIN AFMB ADJUST TO 4 OR 5 POSITIONER .K727



STAKE IN 4 PLACES EQUALLY SPACED 90° APART (SEE REMARK 1,2)



NOTES: FINISH (PLATING THICKNESS IN MICRO-INCHES)

- BRASS PER QQ-B-626, ALLOY 360, 1/2 H ; JIS H3250 C 3604BD OR EQUIVALENT
- NICKEL PL. 60 MIN. THICK OVER OPTIONAL COPPER STRIKE
- GOLD PL. 30 MIN. THICK OVER NICKEL PL. 100 MIN. THICK OVER OPTIONAL COPPER STRIKE
- TEFLON MIL-P-19468 OR EQUIVALENT
- COPPER PER ASTM B-75 ALLOY C12200 OR EQUIVALENT
- PBT(WITH 15% GLASS FIBER) PER CHANG CHUN GRADE 4115202 OR EQUIVALENT

TABLE

KEY CODING	PART NO.	DRAWING NO.	ITEM NO.	LOCK COVER
A	FA2-NASP-C01-9	FKT1121AW-005-NT30G-50	FK2121ACA36NC5F	FKLC40101B
B	FA2-NBSP-C01-9	FKT1121BW-005-NT30G-50	FK2121ACB36NC5F	FKLC40102B
C	FA2-NCSP-C01-9	FKT1121CW-005-NT30G-50	FK2121ACC36NC5F	FKLC40103B
D	FA2-NDSP-C01-9	FKT1121DW-005-NT30G-50	FK2121ACD36NC5F	FKLC40104B
E	FA2-NESP-C01-9	FKT1121EW-005-NT30G-50	FK2121ACE36NC5F	FKLC40105B
F	FA2-NFSP-C01-9	FKT1121FW-005-NT30G-50	FK2121ACF36NC5F	FKLC40106B
G	FA2-NGSP-C01-9	FKT1121GW-005-NT30G-50	FK2121ACG36NC5F	FKLC40107B
H	FA2-NHSP-C01-9	FKT1121HW-005-NT30G-50	FK2121ACH36NC5F	FKLC40108B
I	FA2-NISP-C01-9	FKT1121IW-005-NT30G-50	FK2121ACI36NC5F	FKLC40109B
K	FA2-NKSP-C01-9	FKT1121KW-005-NT30G-50	FK2121ACK36NC5F	FKLC40110B
Z	FA2-NZSP-C01-9	FKT1121ZW-005-NT30G-50	FK2121ACZ36NC5F	FKLC40111B

NO.	DESCRIPTION	MATERIAL	FINISH	Q'TY	DRAWING NO.
8	FERRULE	NOTE 5	NOTE 2	2	FKFR00101A
7	CONTACT PIN	NOTE 1	NOTE 3	2	FKCP00101A
6	RING	NOTE 1	NOTE 2	2	FKLR00101A
5	LOCK COVER	NOTE 6		1	SEE TABLE
4	BARREL	NOTE 1	NOTE 2	2	FKBR00101B
3	INSULATOR	NOTE 4	NATURAL	2	FKNS00201A
2	INSULATOR	NOTE 4	NATURAL	2	FKNS00101A
1	BODY	NOTE 1	NOTE 2	2	FKBD00101A

DIMENSIONS ARE IN MILLIMETERS			
UNLESS OTHERWISE SPECIFIED TOLERANCES			
0.5-6	=	±0.2	
6-30	=	±0.4	
30-120	=	±0.6	
120-315	=	±1	
315-1000	=	±1.6	
1000-2000	=	±2.4	

PART NO. FA2-NXSP-C01-9	
APPROVED	DATE 05-02-03'
MARK CHU	
CHECKED	DATE 05-02-03'
COASE WANG	
DRAWN	DATE 05-02-03'
LILY CHIU	
FILE NO. F:\DWG\FKT\1121XX\005\50\NT30G-B-PPAP	

Amphenol	
Danbury,CT,USA-Tainan,Taiwan-Shenzhen,China	
TITLE FAKRA TWIN SMB CRIMP PLUG (FOR RG-174/U, 188A/U, 316/U CABLE)	
DRAWING NO. FKT1121XX-005-NT30G-50	
ITEM NO. FK2121ACX36NC5F	