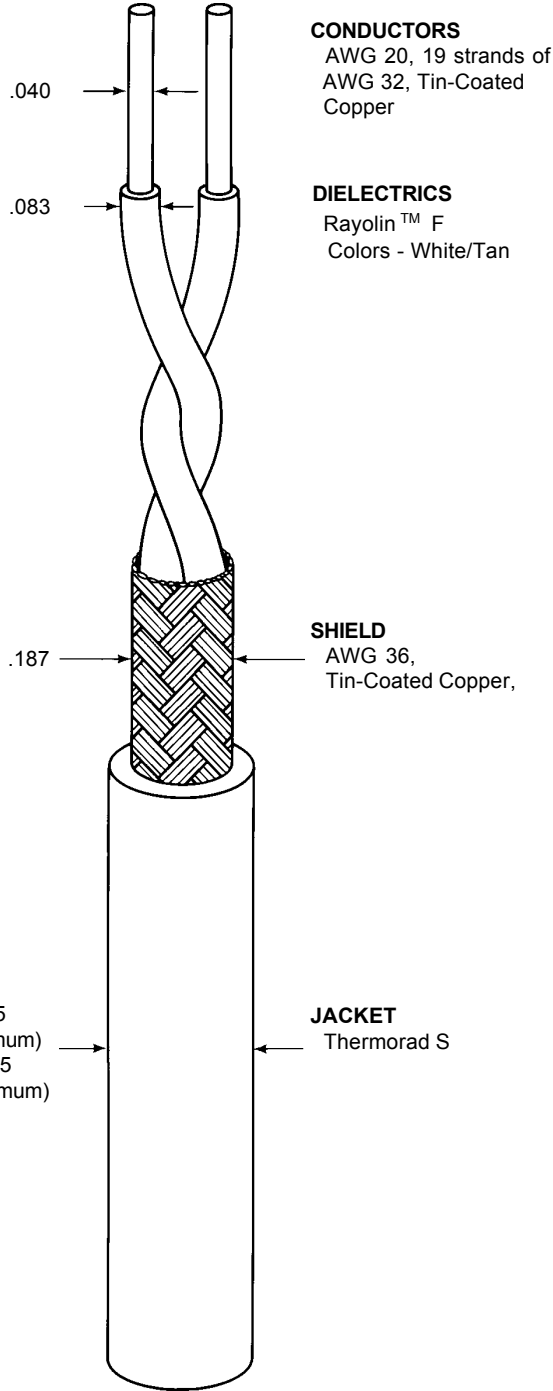


THIS SPECIFICATION SHEET FORMS A PART OF THE LATEST ISSUE OF RAYCHEM SPECIFICATION 1200.

CONSTRUCTION DETAILS

DIMENSIONS ARE NOMINAL VALUES IN INCHES UNLESS OTHERWISE DESIGNATED.



ELECTRICAL CHARACTERISTICS

CHARACTERISTIC IMPEDANCE	78 ± 7 ohms, Method C at 1 MHz
CAPACITANCE - MUTUAL	20.5 pF/ft. (nominal)
VELOCITY OF PROPAGATION	66% (nominal)

ADDITIONAL REQUIREMENTS

ELECTRICAL

CONDUCTOR RESISTANCE	9.53 ohms/1000 ft. (nominal)
INSULATION RESISTANCE	10,000 megohms (minimum) for 1000 ft.
JACKET FLAWS	
SPARK TEST	1.0 kV (rms)
IMPULSE TEST	6.0 kV (peak)
VOLTAGE WITHSTAND (Dielectric)	2000 volts (rms) (minimum)

ENVIRONMENTAL

FLAMMABILITY	Method C
HEAT SHOCK	225°C
LOW TEMPERATURE- COLD BEND	-55°C/6.00 inch mandrel
VOLTAGE WITHSTAND (Post Environmental)	1000 volts (rms), 1 minute

PHYSICAL

INSULATION (Dielectric) (Prior to Cabling)	
ELONGATION	250% (minimum)
TENSILE STRENGTH	1800 lbf/in ² (minimum)
JACKET	
ELONGATION	250% (minimum)
TENSILE STRENGTH	2000 lbf/in ² (minimum)
JACKET THICKNESS	.022 inch (nominal)
SHIELD COVERAGE	90% (minimum)

WEIGHT	30.3 lbs/1000 ft. (nominal)
--------	-----------------------------

Outer jacket color will be black (designated by a "-0" appended to the part number, e.g., 7820D0331-0) unless otherwise specified.

Designate outer jacket color with a dash number in accordance with MIL-STD-681.