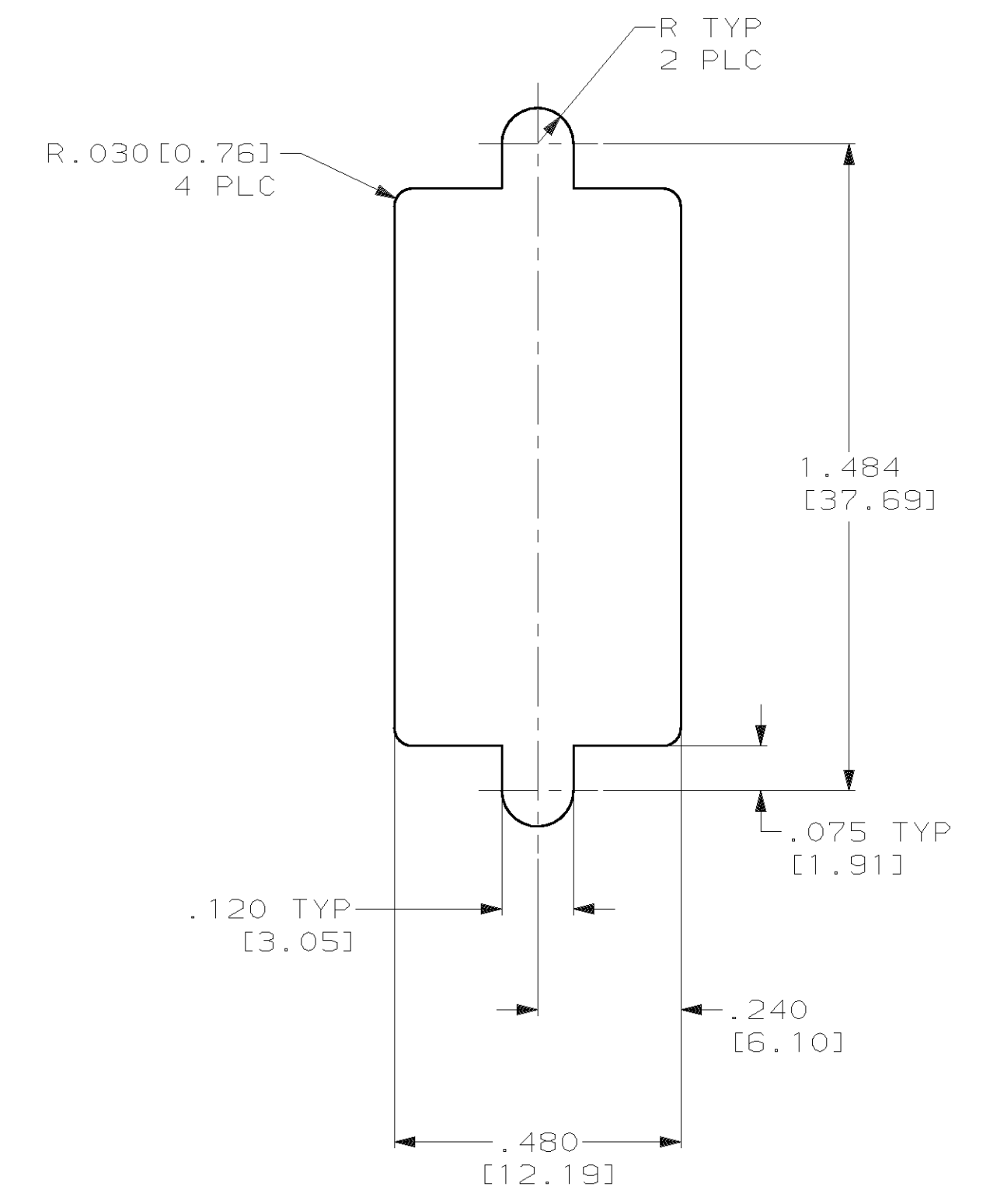
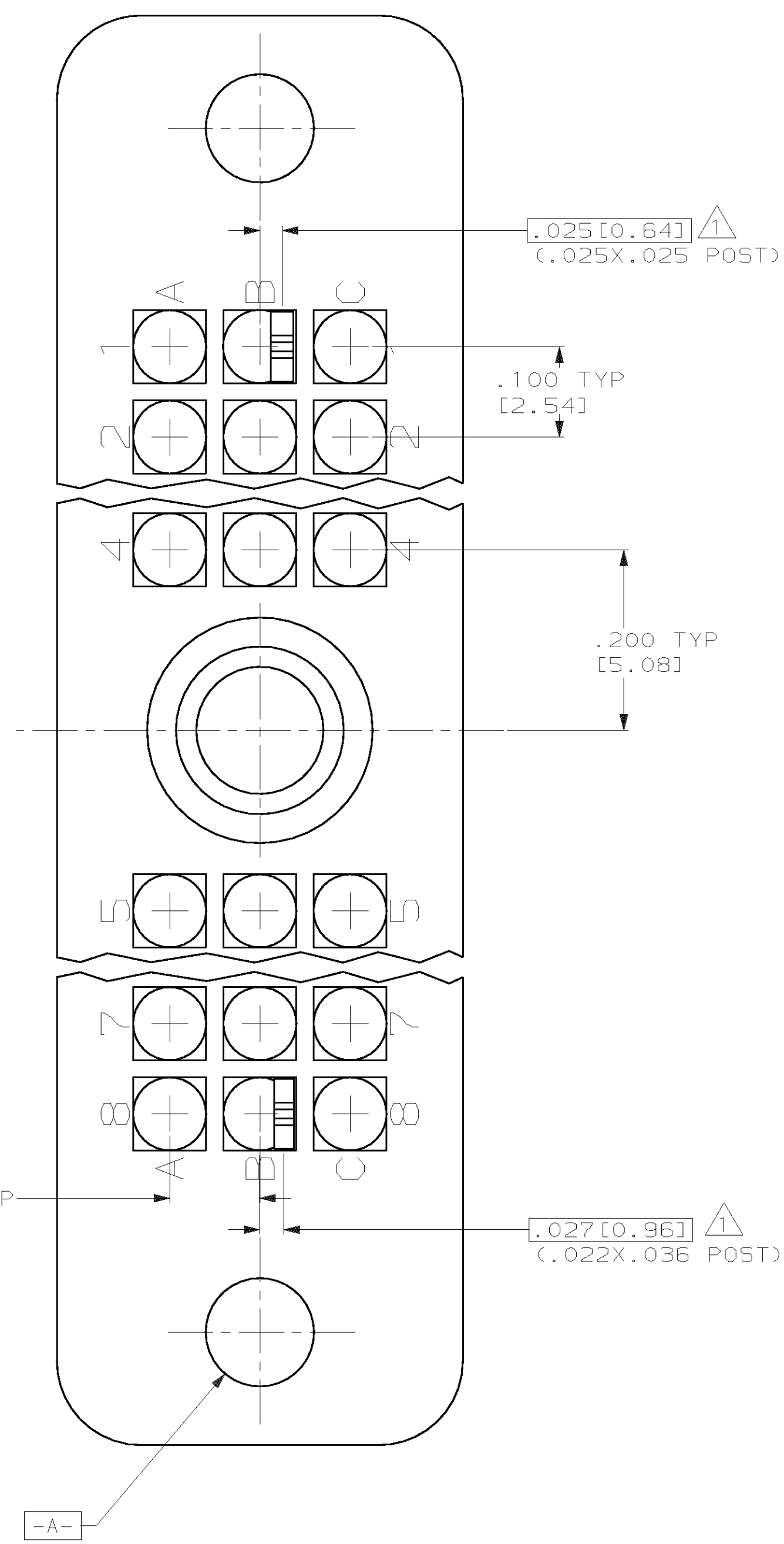
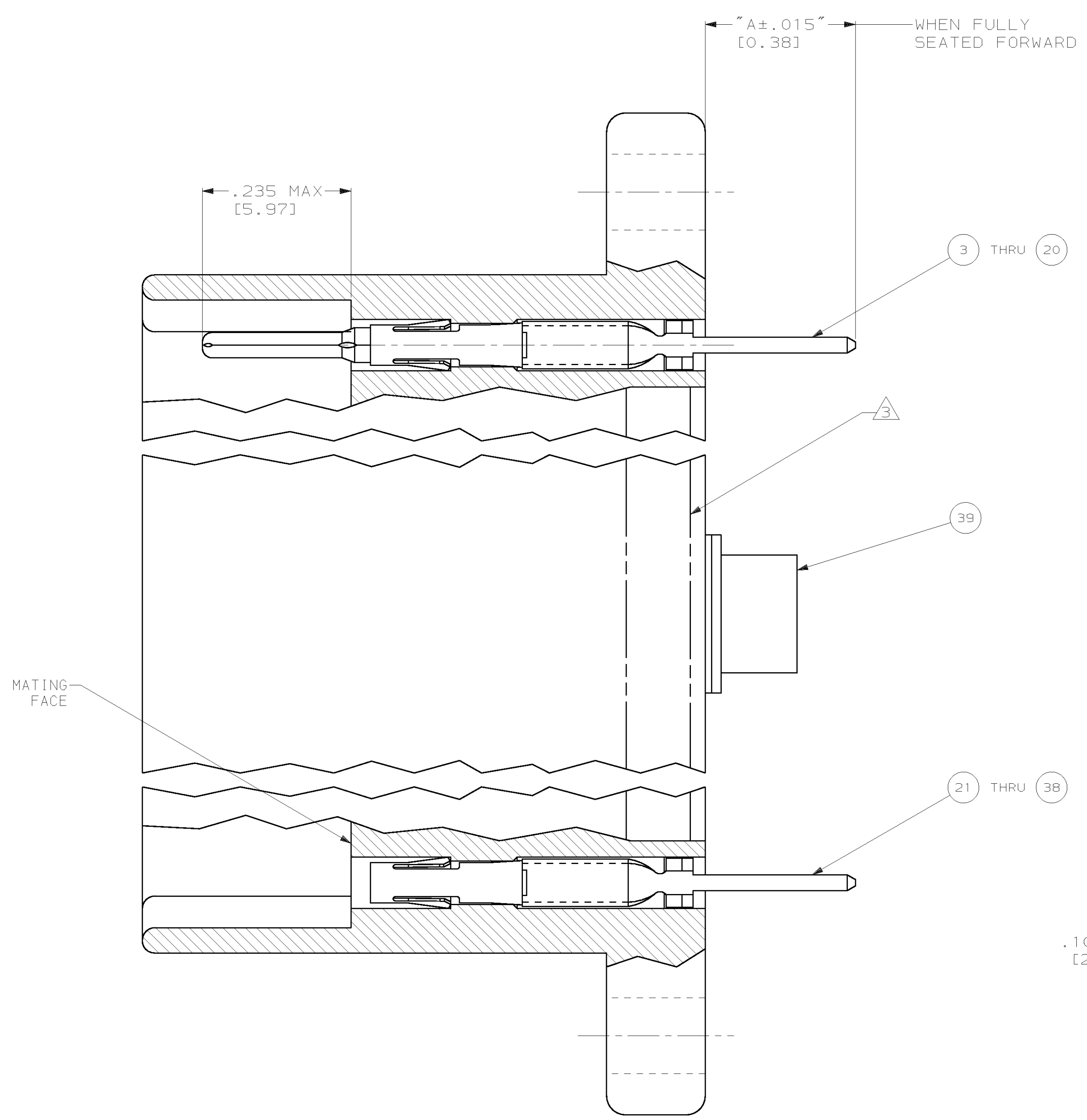


REVOLUTIONS		DATE	OWN	APPRO
DF	CO			
	K	REV PER 063D-0276-01	7-02	CT JM

- 1 THE TIP OF THE CONTACT POSTS WILL FALL WITHIN .025 DIAMETER TRUE POSITION OF EACH OTHER.
- 2 PARTS TO BE ASSEMBLED BY AMP INC.
- 3 AMP, PART NUMBER AND DATE CODE MARKED ON EITHER SIDE.



SUGGESTED PANEL CUTOUT  
SCALE 4:1

"A"	NUMBER OF TERMINATIONS	TYPE OF POST
.520 [13.21]	3	.022X.036 POST
.370 [9.40]	2	
.220 [5.59]	1	.025X.025 POST
.670 [17.02]	3	
.456 [11.58]	2	
.242 [6.15]	1	

<small>THIS DRAWING IS A CONTROLLED DOCUMENT AND IS UNPUBLISHED. IT IS SUBJECT TO CHANGE AND THE CONTROLLING ENGINEERING DEPARTMENT SHALL BE CONTACTED FOR THE LATEST REVISION.</small>		DWN T. THOMPSON 09-08-95 CHK D. MUMMEY 09-08-95 D. MUMMEY 09-08-95 PRODUCT SPEC APPLICATION SPEC HEIGHT - CUSTOMER DRAWING	<b>AMP</b> AMP Incorporated Harrisburg, PA 17105-3608 24 POSITION, HDR, RECEPTACLE W/ JACKSCREW SIZE A1 CAGE CODE 00779 DRAWING NO. C=204684 SCALE 8:1 SHEET 13 OF 13 REV K
DIMENSIONS IN (mm) TOLERANCES UNLESS OTHERWISE SPECIFIED: 0 PLC ±.005 1 PLC ±.005 2 PLC ±.005 3 PLC ±.005 4 PLC ±.005 ANGLE ±.005 FINISH SEE TABLE	DIMENSIONS IN (mm) TOLERANCES UNLESS OTHERWISE SPECIFIED: 0 PLC ±.005 1 PLC ±.005 2 PLC ±.005 3 PLC ±.005 4 PLC ±.005 ANGLE ±.005 FINISH SEE TABLE	DIMENSIONS IN (mm) TOLERANCES UNLESS OTHERWISE SPECIFIED: 0 PLC ±.005 1 PLC ±.005 2 PLC ±.005 3 PLC ±.005 4 PLC ±.005 ANGLE ±.005 FINISH SEE TABLE	DIMENSIONS IN (mm) TOLERANCES UNLESS OTHERWISE SPECIFIED: 0 PLC ±.005 1 PLC ±.005 2 PLC ±.005 3 PLC ±.005 4 PLC ±.005 ANGLE ±.005 FINISH SEE TABLE



THIS DRAWING IS UNPUBLISHED. RELEASED FOR PUBLICATION .19  
COPYRIGHT 19 BY AMP INCORPORATED. ALL RIGHTS RESERVED.

LOC	QTY	REV	DATE	BY	APPROV
DF	CO				

QTY	LOC	QTY	REV	DATE	BY	APPROV	DESCRIPTION	ITEM NO	
1	1	1	1	1	1	1	204299-1	FEMALE	39
-	-	-	-	-	24	-	1-205172-2	GOLD/NICKEL	38
-	-	-	-	-	24	-	1-205172-1	GOLD/NICKEL	37
-	-	-	-	-	24	-	1-205172-0	GOLD/NICKEL	36
-	24	-	-	-	-	24	205172-9	SELECTIVE GOLD	35
-	24	-	-	-	-	24	205172-8	SELECTIVE GOLD	34
-	-	24	-	-	-	24	205172-7	SELECTIVE GOLD	33
-	-	-	24	-	-	24	205172-3	TIN	32
-	-	-	24	-	-	24	205172-2	TIN	31
-	-	-	24	-	-	24	205172-1	TIN	30
-	-	-	-	-	-	-	204292-9	SELECTIVE GOLD	29
-	-	-	-	-	-	-	204292-8	SELECTIVE GOLD	28
-	-	-	-	-	-	-	204292-7	SELECTIVE GOLD	27
-	-	-	-	-	-	-	204292-6	NICKEL	26
-	-	-	-	-	-	-	204292-5	NICKEL	25
-	-	-	-	-	-	-	204292-4	NICKEL	24
-	-	-	-	-	-	-	204292-3	GOLD/NICKEL	23
-	-	-	-	-	-	-	204292-2	GOLD/NICKEL	22
-	-	-	-	-	-	-	204292-1	GOLD/NICKEL	21
-	-	-	-	-	-	-	204285-9	SELECTIVE GOLD	20
-	-	-	-	-	-	-	204285-8	SELECTIVE GOLD	19
-	-	-	-	-	-	-	204285-7	SELECTIVE GOLD	18
-	-	-	-	-	-	-	204285-6	TIN	17
-	-	-	-	-	-	-	204285-5	TIN	16
-	-	-	-	-	-	-	204285-4	TIN	15
-	-	-	-	-	-	-	204285-3	GOLD/NICKEL	14
-	-	-	-	-	-	-	204285-2	GOLD/NICKEL	13
-	-	-	-	-	-	-	204285-1	GOLD/NICKEL	12
-	-	-	-	-	-	-	1-205171-2	GOLD/NICKEL	11
24	-	-	-	-	-	-	1-205171-1	GOLD/NICKEL	10
-	-	-	-	-	-	-	1-205171-0	GOLD/NICKEL	9
-	-	-	-	-	-	-	205171-9	SELECTIVE GOLD	8
-	-	-	-	-	-	-	205171-8	SELECTIVE GOLD	7
-	-	-	-	-	-	-	205171-7	SELECTIVE GOLD	6
-	-	-	-	-	-	-	205171-3	TIN	5
-	-	-	-	-	-	-	205171-2	TIN	4
-	-	-	-	-	-	-	205171-1	TIN	3
1	1	1	1	1	1	1	2-204282-4	DIALYL PHTHALATE-BLUE	2
-	-	-	-	-	1	1	204282-4	PHENOLIC-BLACK	1

7-37-27-17-06-96-86-76-66-56-46-36-26-16-05-95-85-75-65-5	DWG SIZE	PART NO	REMARKS	TERMINATIONS	DESCRIPTION	ITEM NO

**AMP** 4805 REV 10/93

30-JUL-02 15:09:57 amp16412/home/amp16412/docnod

**AMP** Incorporated  
Harrisburg, PA 17105-3608

24 POSITION, HDR, RECEPTACLE W/ JACKSCREW

SIZE: A1 CAGE CODE: 00779 DRAWING NO: C=204684

SCALE: 8:1 SHEET: 3 OF 3 REV: K